



## Aquatec® ORCA / ORCA F / ORCA XL

en	Bath lift User Manual .....	3
de	Badewannenlifter Gebrauchsanweisung .....	29
fr	Élévateur de bain Manuel d'utilisation .....	61
it	Sollevatore per vasca da bagno Manuale d'uso .....	93
es	Elevador de bañera Manual del usuario .....	123
pt	Elevador de banheira Manual de utilização .....	153
nl	Badlift Gebruiksaanwijzing .....	183
no	Badekarheis Bruksanvisning .....	213

This manual **MUST** be given to the user of the product.  
BEFORE using this product, this manual **MUST** be read and saved for  
future reference.

**AQUATEC®**



**Yes, you can.®**

©2023 Invacare Corporation

All rights reserved. Republication, duplication or modification in whole or in part is prohibited without prior written permission from Invacare. Trademarks are identified by ™ and ®. All trademarks are owned by or licensed to Invacare Corporation or its subsidiaries unless otherwise noted.

---

# Contents

---

This manual **MUST** be given to the user of the product.  
BEFORE using this product, this manual **MUST** be read and saved  
for future reference.

<b>1 General</b> .....	<b>4</b>
1.1 Introduction .....	4
1.2 Symbols in This Manual .....	4
1.2.1 Other Symbols .....	5
1.3 Warranty .....	5
1.4 Compliance .....	5
1.4.1 Product-Specific Standards .....	5
1.5 Service Life .....	5
1.6 Limitation of Liability .....	5
<b>2 Safety</b> .....	<b>6</b>
2.1 Safety Information .....	6
2.2 Safety Information on Electromagnetic Compatibility .....	6
2.3 Labels and Symbols on Product .....	8
<b>3 Product Overview</b> .....	<b>9</b>
3.1 Intended Use .....	9
3.2 Main Parts of the Product .....	9
<b>4 Setup</b> .....	<b>11</b>
4.1 Safety Information .....	11
4.2 Setting up Bath Lift .....	11
4.3 Charging Battery .....	14
<b>5 Usage</b> .....	<b>16</b>
5.1 Safety Information .....	16
5.2 Controlling Bath Lift .....	16
5.3 Bathing .....	18
<b>6 Transport</b> .....	<b>19</b>
6.1 Safety Information .....	19
6.2 Removing Bath Lift .....	19

<b>7 Maintenance</b> .....	<b>21</b>
7.1 Servicing and Inspection .....	21
7.2 Cleaning and Disinfection .....	21
7.2.1 General Safety Information .....	21
7.2.2 Cleaning Intervals .....	22
7.2.3 Cleaning Instructions .....	22
7.2.4 Disinfection Instructions .....	23
<b>8 After Use</b> .....	<b>24</b>
8.1 Storage .....	24
8.2 Reconditioning .....	24
8.3 Disposal .....	24
<b>9 Troubleshooting</b> .....	<b>25</b>
9.1 Identifying and Repairing Faults .....	25
<b>10 Technical Data</b> .....	<b>26</b>
10.1 Dimensions and weight .....	26
10.2 Electronic Data .....	26
10.3 Materials .....	27
10.4 Environmental Parameters .....	27

# 1 General

## 1.1 Introduction

This user manual contains important information about the handling of the product. To ensure safety when using the product, read the user manual carefully and follow the safety instructions.

Only use this product if you have read and understood this manual. Seek additional advice from a healthcare professional who is familiar with your medical condition and clarify any questions regarding the correct use and necessary adjustment with the healthcare professional.

Note that there may be sections in this document, which are not relevant to your product, since this document applies to all available models (on the date of printing). If not otherwise stated, each section in this document refers to all models of the product.

The models and configurations available in your country can be found in the country-specific sales documents.

Invacare reserves the right to alter product specifications without further notice.

Before reading this document, make sure you have the latest version. You find the latest version as a PDF on the Invacare website.

If you find that the font size in the printed document is difficult to read, you can download the PDF version from the website. The PDF can then be scaled on screen to a font size that is more comfortable for you.

For more information about the product, for example product safety notices and product recalls, contact your Invacare distributor. See addresses at the end of this document.

In case of a serious incident with the product, you should inform the manufacturer and the competent authority in your country.

## 1.2 Symbols in This Manual

Symbols and signal words are used in this manual and apply to hazards or unsafe practices which could result in personal injury or property damage. See the information below for definitions of the signal words.



### WARNING

Indicates a hazardous situation that could result in serious injury or death if it is not avoided.



### CAUTION

Indicates a hazardous situation that could result in minor or slight injury if it is not avoided.



### NOTICE

Indicates a hazardous situation that could result in damage to property if it is not avoided.



### Tips and Recommendations

Gives useful tips, recommendations and information for efficient, trouble-free use.

### 1.2.1 Other Symbols



UK Responsible Person

Indicates if a product is not manufactured in the UK.



Triman

Indicates recycling and sorting rules (only relevant for France).

## 1.3 Warranty

We provide a manufacturer's warranty for the product in accordance with our General Terms and Conditions of Business in the respective countries. Warranty claims can only be made through the provider from whom the appliance was obtained.

Covers and suction cups are excluded from this warranty.

## 1.4 Compliance

Quality is fundamental to the company's operation, working within the disciplines of ISO 13485.

This product features the CE mark, in compliance with the Medical Device Regulation 2017/745 Class I.

This product features the UKCA mark, in compliance with Part II UK MDR 2002 (as amended) Class I.

We are continuously working towards ensuring that the company's impact on the environment, locally and globally, is reduced to a minimum.

We only use REACH compliant materials and components.

1574469-F

We comply with the current environmental legislations WEEE and RoHS.

### 1.4.1 Product-Specific Standards

The product meets the requirements of the standard ISO 10535 (Hoists for the transfer of disabled persons).

For further information about local standards and regulations, contact your local Invacare representative.

## 1.5 Service Life

The expected service life of this product is five years when used daily and in accordance with the safety instructions, maintenance intervals and correct use, stated in this manual. The effective service life can vary according to frequency and intensity of use.

## 1.6 Limitation of Liability

Invacare accepts no liability for damage arising from:

- Non-compliance with the user manual
- Incorrect use
- Natural wear and tear
- Incorrect assembly or set-up by the purchaser or a third party
- Technical modifications
- Unauthorised modifications and/or use of unsuitable spare parts

## 2 Safety

### 2.1 Safety Information



**WARNING!**

**Risk of Serious Injury or Damage**

Improper use of this product may cause injury or damage.

- If you are unable to understand the warnings, cautions or instructions, contact a health care professional or provider before attempting to use this equipment.
- Do not use this product or any available optional equipment without first completely reading and understanding these instructions and any additional instructional material.



**WARNING!**

**Risk of injury**

- Do not use if defective.
- In the event of a malfunction, contact your provider immediately.
- Do not make any unauthorized changes or alterations to the product.
- Never stand on the bath lift to get into or out of the bathtub, do not use it for climbing or descending, as a lifting platform or for any similar purpose.



**WARNING!**

- Before first use, clean the product thoroughly.
- Before every use, check the product for damage and ensure that it is securely assembled.



**CAUTION!**

**Risk of Injury**

Non-original or wrong parts may affect the function and safety of the product.

- Only use original parts for the product in use.
- Due to regional differences, refer to your local Invacare catalogue or website for available options or contact your Invacare distributor.

### 2.2 Safety Information on Electromagnetic Compatibility



**WARNING!**

**Risk of Malfunction**

Electromagnetic interference may cause improper operation.

- Do not use this product adjacent to or stacked with other electrical equipment. If such use is necessary this product and the other equipment must be closely observed to verify that they are operating normally.

**WARNING!****Risk of Malfunction due to Electromagnetic Interference**

Electromagnetic interference between this product and other electrical equipment can occur and disturb the electrical adjustment functions of this product. To prevent, reduce or eliminate such electromagnetic interference:

- Only use original cables, accessories and spare parts, to not increase electromagnetic emission or reduce electromagnetic immunity of this product.
- Do not use portable radio frequency (RF) communications equipment closer than 30 cm to any part of this product (including cables).
- Do not use this product near active high-frequency surgical equipment and the RF shielded room of a system for magnetic resonance imaging, where the intensity of electromagnetic disturbances is high.
- If disturbances occur, increase the distance between this product and the other equipment or switch it off.



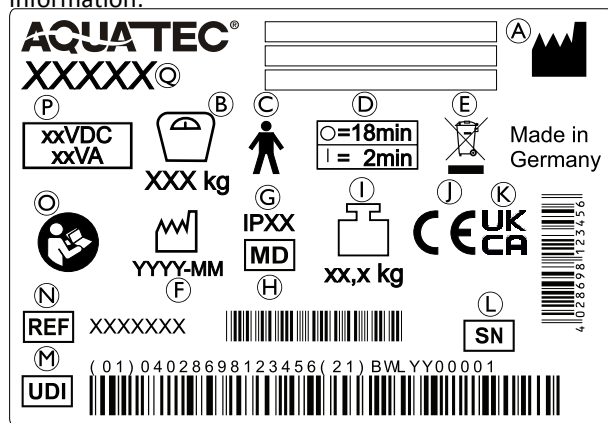
We are not aware of any risk when using products like a cardiac pacemaker.

Guidance and manufacturer's declaration relating to electromagnetic emission and immunity are available on request from Invacare in your country.


## 2.3 Labels and Symbols on Product

### Identification Label

The identification label (printed in blue) contains important information:



- Ⓐ Manufacturer and Manufacturer address
- Ⓑ Maximum user weight
- Ⓒ Type B applied part
- Ⓓ Interval of use (continuous operation of the engine is not allowed): max. 2 minutes continuous use followed by a 18 minute break
- Ⓔ WEEE Conformity
- Ⓕ Date of manufacture
- Ⓖ Type of protection
- Ⓜ Medical device
- Ⓟ Product weight
- Ⓡ European Conformity
- Ⓚ UK Conformity Assessed
- Ⓛ Serial number
- Ⓜ Unique Device Identifier
- Ⓝ Reference number
- Ⓞ Read user manual
- Ⓟ Nominal voltage/ rated power, see *10 Technical Data, page 26*
- Ⓠ Product designation

 The identification label is applied to the back of the backrest.

### Other labels on the product



Label (white symbol on blue background) indicates position where the user needs to push down the backrest during upfolding, refer to *4 Setup, page 11*.



### 3 Product Overview

#### 3.1 Intended Use

Aquatec ORCA, ORCA F and ORCA XL are battery powered bath lifts, providing an aid to enter or go out from a bathtub.

It is composed of a seat plate (with side flaps integrated) with anti-slip surface and a remote control controlling the seat to go up or down. ORCA and ORCA XL have a rigid backrest that can be lowered. ORCA F has a fixed backrest. Several components like seat- and backrest covers are optionally available.

#### Intended Users

Users are any person with restricted or limited mobility. If used without an assistant, the users must be able to keep their own balance.

#### Indications

- Restricted or limited mobility (e.g. legs and/or hips) or
- having balance issue to stand up or walk due to transitional or permanent disabilities.

There are no contraindications known when using the product as intended. For the maximum user weight, see *10 Technical Data, page 26*.

#### 3.2 Main Parts of the Product

The following components are included within the scope of delivery:

#### Hand Control and Charger

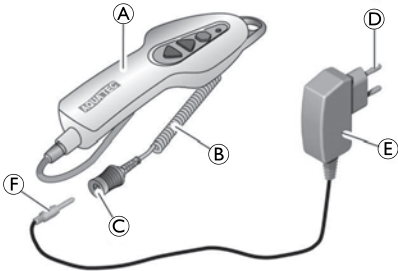


Fig. 3-1

Ⓐ	Hand control with battery	Ⓓ	Mains plug
Ⓑ	Spiral cable	Ⓔ	Charger
Ⓒ	Jack socket	Ⓕ	Jack plug

### Seat

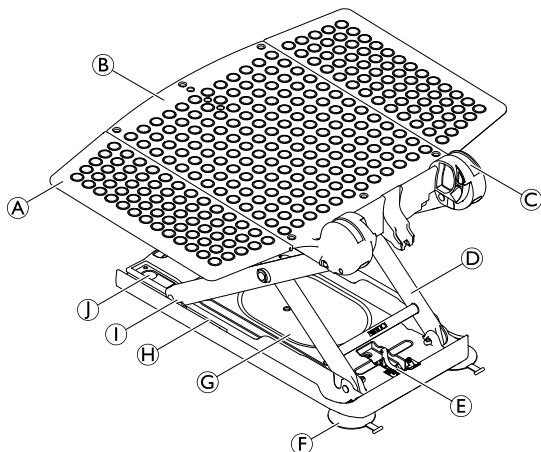


Fig. 3-2

Ⓐ	Side flap	Ⓕ	Rear suction cups (with thread)
Ⓑ	Seat plate	Ⓖ	Base plate
Ⓒ	Hinge for backrest	Ⓗ	Guide for the sliding surface
Ⓓ	Lifting scissors	Ⓘ	Sliding surface
Ⓔ	Spindle foot retainer	⓵	Front suction cups (one tab with head)

### Backrest

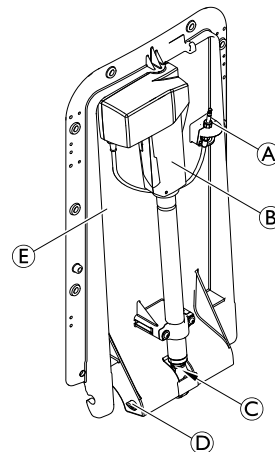


Fig. 3-3

Ⓐ	Jack plug	Ⓓ	Locking pin
Ⓑ	Drive	Ⓔ	Plate, backrest
Ⓒ	Spindle foot		

## 4 Setup

### 4.1 Safety Information



#### Risk of Damage

- Check all parts for transport damage and check before usage. Contact your provider if required.
- Ensure during assembly that the parts are positioned correctly with respect to one another.
- It is recommended to wash the covers before first use, refer to 7.2 *Cleaning and Disinfection*, page 21.

### 4.2 Setting up Bath Lift



#### WARNING!

#### Risk of Slipping

- The bath lift can slip if the suction cups do not have a proper hold.
- Clean the bathtub and the suction cups with a damp cloth before setting up the bath lift.
  - Do not change the position of the bath lift in the bathtub once it is set up.



#### WARNING!

#### Risk of Injury and Damage!

- Only set up the bath lift in bathtubs that comply with the specifications of the following table.
- If a lateral overflow is present in the bathtub, use the optional special side flaps.

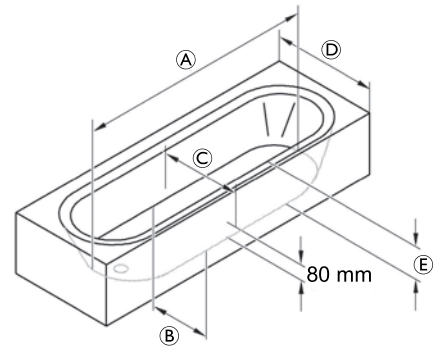


Fig. 4-1

Ⓐ	Tube length, bottom	≥ 800 mm
Ⓑ	Tube width, bottom (inside)	≥ 280 mm
Ⓒ	Tube width, at 80 mm height (inside)	≥ 430 mm
Ⓓ	Tube width (outside)	700 - 740 mm <sup>1)</sup>
Ⓔ	Tube height (inside)	≤ 420 mm <sup>2)</sup>

1) 580 - 690 mm or 750 - 1000 mm with special side flaps (optional)

2) (with height adapter max. + 60 mm)

**!** **Risk of Damage**

- Ensure that the suction cups are mounted properly.
- Ensure that the battery in the hand control is charged.
- When lifting bath lift components, remember to correctly assess the weights, refer to *10.1 Dimensions and weight, page 26*.
- If a handrail is mounted at the inside of the bathtub, use the optional side flap diverters.

1.

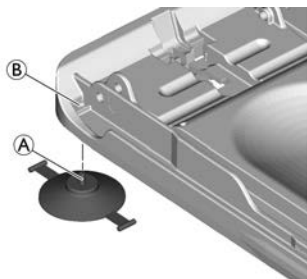


Fig. 4-2

Put rear suction cup with threaded bolt (A) on sleeve nut (B) and screw it in. Screw as far as the suction cup fits the orientation on the graphic.

2.

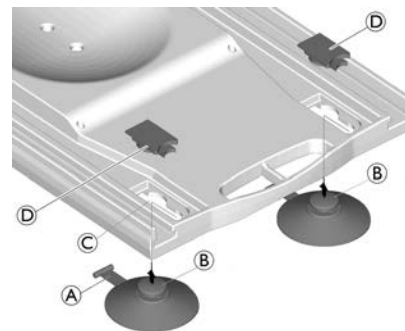


Fig. 4-3

Put toggle (A) through keyhole bore (C) and place it in the corresponding recess. Feed head of suction cup (B) through bore (C) and pull the suction cup forwards. Fix suction cup with red lid (D).

3.

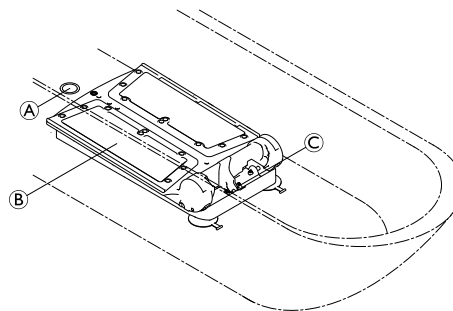


Fig. 4-4

Place the seat (B) on the bottom of the empty bathtub. Ensure that the spindle foot retainer (C) is pointing towards the end of the bathtub opposite the drain (A).

4.

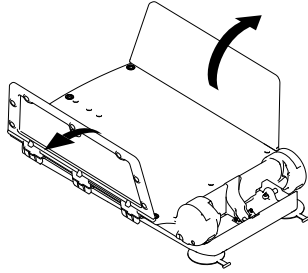


Fig. 4-5

Fold the side flaps of the seat outwards.

5.

**NOTICE!**

- Ensure that the side flaps are folded outwards before placing the backrest onto the seat.

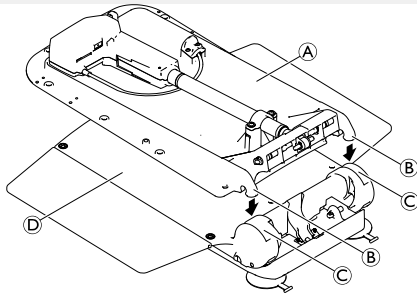


Fig. 4-6

Place the backrest **A** (without the hand control) onto the seat so that the hooks **B** of the backrest fit into the hinges **C** of the seat plate **D**.

6.

**Risk of Damage**

Damage to the product caused by the spindle foot slipping out.

- Make sure that the spindle is fully retracted and the spindle foot is level and not twisted, before folding up the backrest.
- Once the backrest is folded up, ensure that the spindle foot is in the spindle foot retainer.

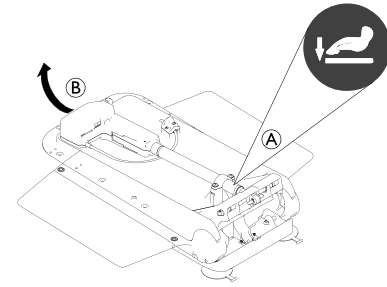


Fig. 4-7

Push down the backrest onto the seat plate at the position of the label **A** with one hand in order to engage the hooks into the hinges.

7. While still pushing down the backrest slightly as described in step 6, hold the backrest at the center of the head end **B** and carefully fold up the backrest into the end position.

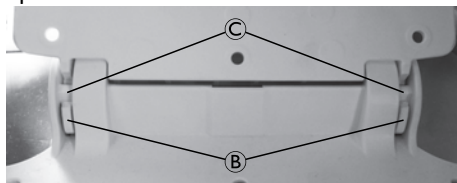


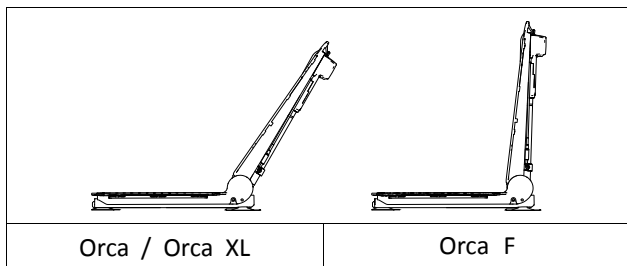
Fig. 4-8



### Risk of Damage

Damage to the product due to incorrect assembly of the backrest.

- Make sure that both hooks **B** of the backrest engage into the hinges **C** of the seat plate.
- Make sure that the backrest is folded up to the end position without exerting force and noticeable resistance. The end position is indicated in the following graphic.



- 8.

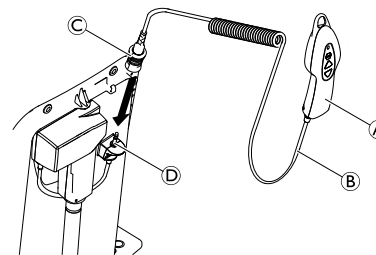


Fig. 4-9

To connect the hand control **A** with the bath lift, plug the jack socket with the unlocking sleeve **C** to the jack plug **D** until the locking mechanism engages noticeably.



### Risk of Damage

- Make sure that the backrest doesn't touch the bathtub edge.
- Place the bath lift further forwards in the bathtub, if necessary. To place the bath lift further forwards in the bathtub lower the bath lift to the bottom, loosen the suction cups and then move the bath lift.

## 4.3 Charging Battery

The bath lift cannot be used when the battery is charging.



### WARNING!

#### Risk of Electric Shock

- Only recharge the battery in dry rooms at room temperature (15 °C to 25 °C) and never in the bathroom.



### Risk of Damage

- Only use the charger supplied to charge the battery in the hand control.
- Only connect the charger to the mains supply when the hand control is connected to the charger.
- Make sure that the voltage specifications shown on the charger correspond to those of the mains supply.

3. Disconnect the charger from the power socket.
4. Pull the jack plug of the charger out of the jack socket of the hand control.

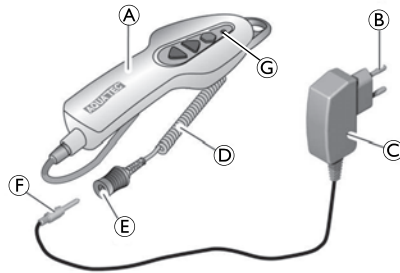


Fig. 4-10

1. Insert the jack plug ⑥ of the charger ③ into the jack socket ⑤ on the spiral cable ④ of the hand control ① until it engages.
2. Insert the mains plug ② of the charger into a power socket.



The red indicator lamp ③ on the hand control extinguishes when the battery is sufficiently charged for next use. It is not possible to overcharge the battery.

## 5 Usage

### 5.1 Safety Information



#### CAUTION!

##### Risk of Injury or Damage

Moisture may penetrate into a damaged hand control, which could lead to a short circuit and fire.

- Always perform a visual inspection of the product for external damage before each use.
- If the housing of the hand control is damaged or shows cracks, do not use the hand control.



#### CAUTION!

##### Risk of Pinching

- Do not insert fingers into the guide between the seat plate and the backrest.
- Do not grab under the seat plate or between the lifting scissors.



##### Risk of Damage

Overloading the bath lift can lead to damage to the device or prevent lifting.

- Do not overload the bath lift and observe the specifications on the identification label or refer to *10 Technical Data, page 26* with regard to its load capacity.



Recharge the battery regularly, refer to *4.3 Charging Battery in 4 Setup, page 11*.



For more information about the operating conditions, refer to *10.4 Environmental Parameters, page 27*.

### 5.2 Controlling Bath Lift

The bath lift can be moved in the following directions:



Fig. 5-1

The bath lift is controlled via the hand control, either by the user or an assistant.



With a fully charged battery, the ORCA and ORCA F can perform 5 bathing operations with a load of 140 kg. The ORCA XL can perform 4 bathing operations with a load of 170 kg.

- Ⓐ Emergency stop button
- Ⓑ Up button
- Ⓒ Hand control
- Ⓓ Down button
- Ⓔ Indicator lamp

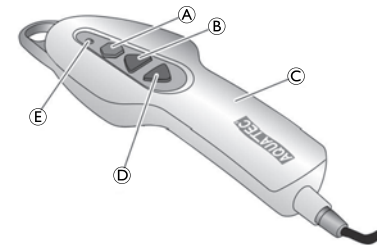



Fig. 5-2



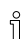
### **!** Risk of Damage

– The hand control may only be used when the backrest is properly installed and in the upright position.

 If the battery in the hand control © is not sufficiently charged, the indicator lamp ⑤ lights up red when the Down button ④ is pressed. In this case, the lowering function of the bath lift is disabled. You can however still raise the lift.


1. Recharge the battery immediately after raising the bath lift.

### **Raising Bath Lift**

 If the backrest is lowered, it will move into the upright position first (not on model ORCA F)

1. Press the Up button ③ on the hand control and keep it pressed.  
The backrest moves into the upright position or the seat moves upwards.
2. Release the Up button on the hand control.  
The bath lift stops in the current position.

### **Lowering Bath Lift**

 If the seat is already lowered, the backrest lowers towards the rear (not on model ORCA F).


1. Press the Down button ④ on the hand control and keep it pressed.  
The seat moves downwards or the backrest tilts to the rear.
2. Release the Down button on the hand control.  
The bath lift stops in the current position.

### **Emergency Stop Button**

#### **!** Risk of Damage

Only press the emergency stop button ① if the device does not stop immediately when the Up or Down button is released (e.g. if a button jams). The bath lift stops moving immediately and the indicator lamp on the hand control lights up.

If the lifter no longer responds when pressing the Up or Down buttons after releasing the emergency stop button, the error has not been corrected. The device is not ready for use and must be repaired, for example, in case of an electronic damage.

 Contact your provider, if necessary.

## 5.3 Bathing



### WARNING!

#### Risk of Slipping

The bath lift can slip if the suction cups do not have a proper hold.

- Before using the bath lift ensure that it is securely positioned and cannot tip over.
- Ensure that the bath lift is set up in a bathtub with the correct dimensions, refer to 4.2 *Setting up Bath Lift, page 11.*



### WARNING!

#### Risk of Injury

- If your condition means that you cannot take a bath on your own, only use the device with supervision.
- If operating the device without supervision, make sure to have an alarm system or telephone within reach in case of unforeseen events (e.g. malfunctions).



#### Risk of Damage

Bath oils or salts can impair the performance of the lifting scissors.

- If using such bath additives, do not exceed the recommended dose.



Run the unloaded lift once to the top and then back to the bottom (function test).

1. Press and hold the Up button until the seat is level with the edge of the bathtub.
2. Make sure that the side flaps are level with the seat and rest flat on the edge of the bathtub (initial position).
3. Fill the bathtub with water.
4. Sit on the side flap nearest to you as you would on a chair.
5. Slide backwards until you are sitting in the middle of the seat.
6. Turn yourself into the bathing position, by lifting one leg and then the other over the edge of the bathtub.
7. Once you are sitting correctly, press and hold the Down button to lower the seat into the bathtub.



Once the seat has reached the lowest position, it is possible to recline the backrest by continuing to hold the Down button. This produces a more comfortable bathing position and allows you to immerse yourself deeper in the bath water (not on model ORCA F).

8. Keep the Down button pressed until the backrest has reached the desired position.



To get out of the bathtub, follow these steps in reverse order.

9. To raise the backrest or the bath lift, press and hold the Up button until the seat is at the same level with the bathtub edge.



#### Risk of Damage

- Disconnect the hand control from the device when the bath lift is not in use, refer to 6.2 *Removing Bath Lift, page 19, step 3.*

## 6 Transport

### 6.1 Safety Information



#### Risk of Damage

- Refer to the storage and shipping conditions in chapter 10.4 *Environmental Parameters*, page 27.
- The backrest is not locked on the seat when it is folded and can come apart.
- Do not remove the suction cups when transporting the bath lift.



Base frame with seat plate and backrest can be disassembled for transport.

### 6.2 Removing Bath Lift

1. Let the water out of the bathtub.
2. Lower the bath lift using the Down button until the backrest stops in the lowered end position, refer to 5.2 *Controlling Bath Lift*, page 16.
3. Unlock the jack socket on the spiral cable of the hand control by pushing up the unlocking sleeve and pull it off the jack plug.

4.

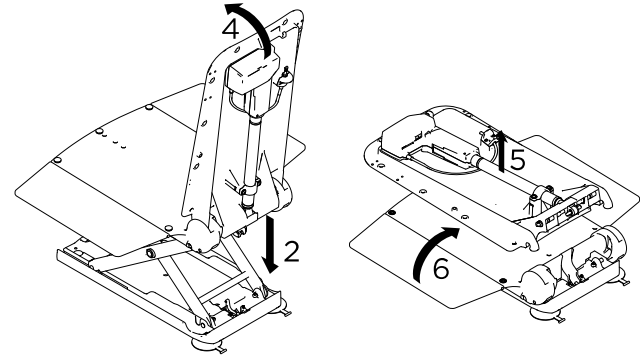


Fig. 6-1

Hold the backrest at the head end and slowly fold the backrest forwards to the end position.



#### Risk of Damage

- Do not fold the backrest down if water is in the bathtub.
- Before folding the backrest down, ensure that the backrest is completely in the lowered position.
- When folding the backrest down, ensure that the spiral cable of the hand control does not become trapped.

5. Pull the backrest up off the seat and out of the bathtub.
6. Fold the side flaps of the seat inwards.

7.

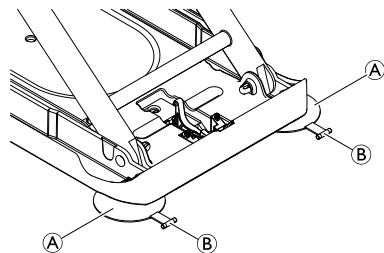



Fig. 6-2

Release the rear suction cups Ⓐ simultaneously by pulling up on the protruding tabs Ⓑ.

8. Lift the rear of the seat slightly. This releases the front suction cups.

 If the height adapters have been installed (optional), you also have to pull the tabs of the front suction cups to release them.

9. Take the base frame with seat plate out of the bathtub.

## 7 Maintenance

### 7.1 Servicing and Inspection

The UK Health and Safety Executive's Lifting Operations and Lifting Equipment Regulations 1998 (LOLER), require any equipment that is used in the workplace (e.g. by a paid carer) to lift a load be subject to safety inspection on a six monthly basis. Please refer to the HSE web site for guidance [www.hse.gov.uk](http://www.hse.gov.uk). Link to HSE information document on LOLER in Health and Social Care: <http://www.hse.gov.uk/pubns/hsis4.pdf>

If the cleaning and safety notices are observed, the product is maintenance free.



#### **Risk of Damage**

- The hand control may only be opened by the manufacturer of the bath lift.

1. Check the product regularly for damage and to ensure that it is securely assembled.
2. In the event of damage and/or necessary repairs, contact the provider immediately.
3. The bath lift must be checked by an authorized provider before every re-use. It is recommended to check the bath lift after 24 months at the latest (in accordance with DIN EN ISO 10535).
4. If the bath lift is not used for a prolonged period, charge the battery completely and then raise and lower the bath lift 3 times without load. Repeat this process every 3 months. This helps to maintain the service life of the battery.

## 7.2 Cleaning and Disinfection

### 7.2.1 General Safety Information



#### **CAUTION!**

##### **Risk of Contamination**

- Take precautions for yourself and use appropriate protective equipment.



#### **NOTICE!**

Wrong fluids or methods can harm or damage the product.

- All cleaning agents and disinfectants used must be effective, compatible with one another and must protect the materials they are used to clean.
- Never use corrosive fluids (alkalines, acid etc.) or abrasive cleaning agents. We recommend an ordinary household cleaning agent such as dishwashing liquid.
- Never use a solvent (cellulose thinner, acetone etc.) that changes the structure of the plastic or dissolves the attached labels.



For cleaning and disinfection in clinical or long-term care environments, follow your in-house procedures.

## 7.2.2 Cleaning Intervals



### NOTICE!

Regular cleaning and disinfection enhance smooth operation, increases the service life and prevents contamination.

Clean and disinfect the product:

- regularly while in use,
- before and after any service procedure,
- when it has been in contact with any body fluids,
- before using it for a new user.

## 7.2.3 Cleaning Instructions

### Cleaning Seat and Backrest



### CAUTION!

#### Risk of Pinching

- Be especially careful when cleaning in the area of the lifting scissors, as they may move and cause injury.



### Risk of Damage

- Never use a high-pressure cleaner to clean the backrest.

1. Wash the product using a cloth or a brush.
2. Rinse the product with warm water.
3. Dry the product with a cloth.
4. Lightly grease the guide for the sliding surface (refer to Fig. 3.2, callout ⊕ in chapter 3.2 *Main Parts of the Product, page 9*) using Vaseline.

## Cleaning Covers (Optional)



It is recommended to wash the covers before first use. For hygienic reasons it is recommended to clean the covers regularly and exchange the covers yearly.

1. Unbutton the covers from the seat and backrest.
2. Wash the covers in a washing machine at max. 60 °C using a mild detergent.



### Risk of Damage

- Washing at high temperatures can cause damage or shrinkage to the cover.
- Do not dry covers in the tumble dryer.

## Cleaning Charger and Hand Control



### WARNING!

#### Risk of Electric Shock

- Always disconnect the plug from the power socket before cleaning the charger.
- Never insert objects made of conductive material (e.g. knitting needles, metal pins) into the jack socket of the hand control.
- Never use a wet or damp cloth to clean the charger.

**CAUTION!****Risk of Electric Shock and Product Damage**

- Switch off the device and disconnect from mains, if applicable.
- When cleaning electronic components consider their protection class regarding water ingress.
- Make sure that no water splashes to the plug or the wall outlet.
- Do not touch the power socket with wet hands.

1. Clean the charger with a dry cloth.
2. Clean the hand control with a damp cloth.
3. Dry the hand control with a cloth.

**7.2.4 Disinfection Instructions**

Method: Follow the application notes for the used disinfectant and wipe-disinfect all accessible surfaces.

Disinfectant: Ordinary household disinfectant.

Drying: Allow the product to air-dry.

## 8 After Use

### 8.1 Storage



#### Risk of Damage

- Do not store the product near heat sources.
- Do not store battery near naked flames.
- Do not expose the product to direct sunlight.
- Refer to the storage and shipping conditions in section *10.4 Environmental Parameters, page 27*.

### 8.2 Reconditioning

This product is suitable for reuse. To recondition the product for a new user, carry out the following actions:

- Inspection
- Cleaning and disinfection

For detailed information, see *7 Maintenance, page 21* and the service manual for this product.

Make sure that the user manual is handed over with the product.

If any damage or malfunction is detected, do not reuse the product.

### 8.3 Disposal



#### WARNING!

##### Environmental Hazard

Device contains batteries.

This product may contain substances that could be harmful to the environment if disposed of in places (landfills) that are not appropriate according to legislation.

- DO NOT dispose of batteries in normal household waste.
- DO NOT throw batteries into a fire.
- Batteries MUST be taken to a proper disposal site. The return is required by law and free of charge.
- Only dispose of discharged batteries.
- Cover terminals of lithium batteries prior to disposal.
- For information on the battery type see battery label or chapter *10 Technical Data, page 26*.

Be environmentally responsible and recycle this product through your recycling facility at its end of life.

Disassemble the product and its components, so the different materials can be separated and recycled individually.

The disposal and recycling of used products and packaging must comply with the laws and regulations for waste handling in each country. Contact your local waste management company for information.



## 9 Troubleshooting

### 9.1 Identifying and Repairing Faults



The following table provides information on malfunctions and their possible causes. If you cannot correct the malfunction using the remedies named, please contact your provider directly.

<b>Fault</b>	<b>Possible Cause</b>	<b>Remedy</b>
No motor noise audible/lift does not move.	Jack socket of the hand control is not engaged correctly.	Engage the jack socket, → <i>4.2 Setting up Bath Lift, page 11.</i>
	Battery is flat.	Recharge the battery completely, → <i>4.3 Charging Battery, page 14.</i>
	Contacts are dirty.	Clean the plug on the backrest.
	Cable is crushed/damaged.	Replace the hand control, → contact your provider.
The lift can be raised but not lowered.	Low-voltage protection is activated.	Recharge the battery completely, → <i>4.3 Charging Battery, page 14.</i>
The lift stops while being raised.	Excessive load.	Observe maximum load, → <i>10.1 Dimensions and weight, page 26.</i>
The bath lift is not adhering securely to the bathtub.	Suction cups are old or damaged.	Replace the suction cups, → contact your provider.
Battery is not charging and the red indicator light flashes during charging	Faulty electronics.	Have your authorized provider check the hand control.
	Faulty battery.	Replace the hand control, → contact your provider.
	Faulty charger.	Have your authorized provider check the charger.
	Battery is too hot.	Keep away the hand control from heat sources. Charging continues automatically once the temperature drops to the permissible limits.

## 10 Technical Data

### 10.1 Dimensions and weight

Total length at lowest position	920 mm
Total length at highest position	650 mm
Total height at highest position	1075 mm
Seat length	590 mm
Seat width with side flaps folded out	715 mm
Seat width with side flaps folded in	390 mm
Seat height at lowest position	60 mm
Seat height at highest position	420 mm
Backrest width	360 mm
Minimum angle of backrest	8°
Base plate width	295 mm
Max. load (ORCA / ORCA F) Max. load (ORCA XL)	140 kg 170 kg
Total weight without hand control (ORCA) (ORCA F) (ORCA XL)	10,8 kg 11,4 kg 11,6 kg
Seat weight (ORCA) (ORCA F) (ORCA XL)	6,6 kg 7,2 kg 7,4 kg
Backrest weight (ORCA / ORCA F / ORCA XL)	4,2 kg

Hand control weight	0,4 kg
Charger weight	0,1 kg

### 10.2 Electronic Data

Activation force for the buttons of the hand control	< 5 N
Hand control operating voltage <sup>1)</sup>	11.1 V DC / 10.95 V DC / 10.8 V DC
Rated input power <sup>1)</sup>	44 VA / 43 VA
Rated current	4 A
Battery type	Lithium-ion
Charger input	100 - 240 V AC, 50 - 60 Hz
Charger output	24 V DC, 135 mA, 3 VA
Charge time from low-voltage warning	approx. 4.5 h
Type of protection, drive	IP X6 W <sup>2)</sup>
Type of protection, hand control	IP 67 <sup>3)</sup>
Type of protection, entire device	IP X6 <sup>4)</sup>
Sound power level	52 dB(A)


The actuator does not switch off when product is overloaded. Do not overload the bath lift to avoid damages.

- 1) 11.1 V DC / 44 VA valid when using hand controls with voltage 11.1 V, indicated on the back of the hand control.  
10.95 V DC / 44 VA valid when using hand controls with voltage 10.95 V, indicated on the back of the hand control.  
10.8 V DC / 43 VA valid when using hand controls with voltage 10.8 V, indicated on the back of the hand control.
- 2) Protected against the penetration of water in the event of strong jets of water, tested under stipulated weather conditions.
- 3) Dust-proof and protected against the penetration of water during temporary immersion.
- 4) Protected against the penetration of water in the event of strong jets of water.

Ambient temperature	0 - 40 °C
Relative humidity	30 % - 75 %, non-condensing
Atmospheric pressure	795 - 1060 hPa

### 10.3 Materials

Backrest / Seatplate	PPGF
Covers	PVC

 All materials used are corrosion resistant and latex free.

### 10.4 Environmental Parameters

Operating conditions	
Ambient temperature	10 - 40 °C
Relative humidity	15 % - 93 %, non-condensing
Atmospheric pressure	795 - 1060 hPa
Storage and shipping conditions	



# Inhaltsverzeichnis

Diese Gebrauchsanweisung MUSS dem Benutzer des Produkts ausgehändigt werden. VOR der Verwendung dieses Produkts MUSS die Gebrauchsanweisung gelesen werden. Bewahren Sie sie auf, um später darin nachschlagen zu können.

<b>1 Allgemein</b>	<b>30</b>
1.1 Einleitung	30
1.2 Symbole in diesem Dokument	30
1.2.1 Sonstige Symbole	31
1.3 Garantie	31
1.4 Konformität	31
1.4.1 Produktspezifische Normen	31
1.5 Nutzungsdauer	31
1.6 Beschränkung der Haftung	32
<b>2 Sicherheit</b>	<b>33</b>
2.1 Sicherheitsinformationen	33
2.2 Sicherheitshinweise zur elektromagnetischen Verträglichkeit	34
2.3 Schilder und Symbole auf dem Produkt	36
<b>3 Produktübersicht</b>	<b>37</b>
3.1 Verwendungszweck	37
3.2 Hauptkomponenten des Produkts	37
<b>4 Inbetriebnahme</b>	<b>39</b>
4.1 Sicherheitsinformationen	39
4.2 Einrichten des Badewannenlifters	39
4.3 Laden des Akkus	43
<b>5 Verwenden</b>	<b>45</b>
5.1 Sicherheitsinformationen	45
5.2 Steuerung des Badewannenlifters	45
5.3 Baden	47
<b>6 Transport</b>	<b>49</b>
6.1 Sicherheitsinformationen	49

6.2 Entfernen des Badewannenlifters	49
<b>7 Instandhaltung</b>	<b>51</b>
7.1 Wartung und Inspektion	51
7.2 Reinigung und Desinfektion	51
7.2.1 Allgemeine Sicherheitsinformationen	51
7.2.2 Reinigungsintervalle	52
7.2.3 Reinigungsanweisungen	52
7.2.4 Desinfektionsanweisungen	53
<b>8 Nach dem Gebrauch</b>	<b>54</b>
8.1 Lagerung	54
8.2 Wiederaufbereitung	54
8.3 Entsorgung	54
<b>9 Problembehandlung</b>	<b>56</b>
9.1 Erkennen und Beheben von Mängeln	56
<b>10 Technische Daten</b>	<b>58</b>
10.1 Abmessungen und Gewicht	58
10.2 Elektronische Daten	58
10.3 Materialien	59
10.4 Umweltparameter	59

# 1 Allgemein

## 1.1 Einleitung

Diese Gebrauchsanweisung enthält wichtige Informationen zur Handhabung des Produkts. Lesen Sie die Gebrauchsanweisung sorgfältig durch und befolgen Sie die Sicherheitsanweisungen, damit eine sichere Verwendung des Produkts gewährleistet ist.

Verwenden Sie dieses Produkt erst, nachdem Sie dieses Handbuch gelesen und verstanden haben. Wenden Sie sich außerdem an qualifiziertes Pflegepersonal, das mit Ihrem gesundheitlichen Zustand vertraut ist, und klären Sie mit dem Pflegepersonal alle Fragen rund um die korrekte Verwendung und die erforderliche Anpassung.

Beachten Sie, dass dieses Dokument Abschnitte enthalten kann, die für Ihr Produkt nicht von Bedeutung sind, da dieses Dokument sämtliche zum Zeitpunkt der Drucklegung verfügbaren Modelle abdeckt. Sofern nicht anders angegeben, bezieht sich jeder Abschnitt dieses Dokuments auf alle Modelle des Produkts.

In den länderspezifischen Vertriebsdokumenten sind alle in Ihrem Land verfügbaren Modelle und Konfigurationen aufgeführt.

Invacare behält sich das Recht vor, Produktspezifikationen ohne vorherige Ankündigung abzuändern.

Vergewissern Sie sich vor dem Lesen dieses Dokuments, dass Sie die aktuelle Fassung haben. Die jeweils aktuelle Fassung können Sie als PDF-Datei von der Invacare-Website herunterladen.

Wenn die gedruckte Ausführung des Dokuments für Sie aufgrund der Schriftgröße schwer zu lesen ist, können Sie die entsprechende PDF-Version von der Invacare-Website herunterladen. Sie können das PDF-Dokument dann auf dem Bildschirm so anzeigen, dass die Schriftgröße für Sie angenehmer ist.

Weitere Informationen zum Produkt, z. B. Informationen zu Produktsicherheitshinweisen oder zu einem Produktrückruf, erhalten Sie von Ihrem Invacare-Fachhändler. Die entsprechenden Adressen finden Sie am Ende dieses Dokuments.

Bei einem ernsthaften Vorfall mit dem Produkt informieren Sie bitte den Hersteller und die zuständige Behörde in Ihrem Land.

## 1.2 Symbole in diesem Dokument

In diesem Dokument werden Symbole und Signalwörter verwendet, um auf Gefahren oder unsichere Praktiken hinzuweisen, die zu Verletzungen oder Sachschäden führen können. Die Definitionen der verwendeten Signalwörter finden Sie in der nachstehenden Tabelle.



### WARNUNG

Weist auf eine gefährliche Situation hin, die bei Nichtbeachtung zu schweren Verletzungen oder zum Tod führen kann.



### VORSICHT

Weist auf eine gefährliche Situation hin, die bei Nichtbeachtung zu leichten Verletzungen führen kann.

**!** HINWEIS  
Weist auf eine gefährliche Situation hin, die bei Nichtbeachtung zu Sachschäden führen kann.

**i** Tipps und Empfehlungen  
Enthalten nützliche Tipps, Empfehlungen und Anleitungen für eine effiziente und problemlose Verwendung.

### 1.2.1 Sonstige Symbole

**UKRP** Verantwortliche Person im Vereinigten Königreich  
Pflichtangabe, wenn das Produkt nicht im Vereinigten Königreich hergestellt wurde.

 Triman  
Hinweis auf Recycling- und Sortiervorschriften (nur für Frankreich relevant).

## 1.3 Garantie

Wir gewähren für das Produkt eine Herstellergarantie gemäß unseren Allgemeinen Geschäftsbedingungen für das jeweilige Land. Garantieansprüche können nur über den Fachhändler geltend gemacht werden, von dem das Produkt bezogen wurde.

Bezüge und Saugnäpfe sind von dieser Garantie ausgeschlossen.

## 1.4 Konformität

Qualität ist für das Unternehmen entscheidend. Alle Abläufe sind an den Anforderungen von ISO 13485 ausgerichtet.

1574469-F

Dieses Produkt trägt die CE-Kennzeichnung in Übereinstimmung mit der Richtlinie 2017/745 über Medizinprodukte, Klasse I.

Dieses Produkt trägt die UKCA-Kennzeichnung in Übereinstimmung mit Part II UK MDR 2002 (in der geänderten Fassung), Klasse I.

Wir setzen uns kontinuierlich dafür ein, die Umwelt durch unsere Unternehmenstätigkeit sowohl direkt vor Ort als auch weltweit möglichst wenig zu beeinträchtigen.

Wir verwenden ausschließlich REACH-konforme Materialien und Bauteile.

Die aktuellen Umweltschutzbestimmungen WEEE (Richtlinie über Elektro- und Elektronik-Altgeräte) und RoHS (Richtlinie zur Beschränkung der Verwendung bestimmter gefährlicher Stoffe in Elektro- und Elektronikgeräten) werden von uns eingehalten.

### 1.4.1 Produktspezifische Normen

Dieses Produkt entspricht den Anforderungen der Norm ISO 10535 (Lifter zum Transport von behinderten Menschen).

Weitere Informationen zu lokalen Normen und Vorschriften erhalten Sie bei Ihrem Invacare-Vertreter vor Ort.

## 1.5 Nutzungsdauer

Die Nutzungsdauer dieses Produkts beträgt fünf Jahre, vorausgesetzt, es wird täglich und in Übereinstimmung mit den in dieser Gebrauchsanweisung aufgeführten Sicherheitshinweisen, Wartungsintervallen und korrekten Verfahrensweisen verwendet. Die tatsächliche

Haltbarkeitsdauer kann abhängig von Häufigkeit und Intensität der Verwendung variieren.

## **1.6 Beschränkung der Haftung**

Invacare übernimmt keine Haftung für Schäden aufgrund von:

- Nichteinhaltung der Gebrauchsanweisung
- falscher Verwendung
- normalem Verschleiß
- falscher Montage oder Einrichtung durch den Käufer oder einen Dritten
- technischen Änderungen
- unbefugten Änderungen bzw. Einsatz nicht geeigneter Ersatzteile



## 2 Sicherheit

### 2.1 Sicherheitsinformationen



#### **WARNUNG!**

##### **Gefahr von schweren Verletzungen oder Sachschäden**

Die unsachgemäße Verwendung dieses Produkts kann zu Verletzungen oder Sachschäden führen.

- Falls Ihnen die Warnungen, Sicherheitshinweise und Anweisungen unverständlich sind, wenden Sie sich an einen Arzt oder den Fachhändler, bevor Sie das Produkt verwenden.
- Benutzen Sie dieses Produkt oder optional erhältliches Zubehör erst, nachdem Sie diese Anleitung und alle zusätzlichen Anleitungen vollständig gelesen und verstanden haben.



#### **WARNUNG!**

##### **Verletzungsgefahr**

- Defekte Produkte nicht verwenden.
- Wenden Sie sich bei einer Fehlfunktion sofort an Ihren Fachhändler.
- Keine unbefugten Veränderungen am Produkt vornehmen.
- Stellen Sie sich niemals auf den Badewannenlifter, um in die Badewanne ein- oder aus ihr auszusteigen; verwenden Sie ihn auch nicht zum Hoch- oder Hinabsteigen, als Hebeplattform oder für einen ähnlichen Zweck.



#### **WARNUNG!**

- Das Produkt vor der ersten Verwendung gründlich reinigen.
- Das Produkt vor jeder Verwendung auf Schäden überprüfen und sicherstellen, dass es ordnungsgemäß zusammengebaut ist.



#### **VORSICHT!**

##### **Verletzungsgefahr**

Teile, die nicht in Original-Qualität vorliegen, oder falsche Teile können die Funktion und Sicherheit des Produkts beeinträchtigen.

- Für das verwendete Produkt ausschließlich Originalteile verwenden.
- Aufgrund regionaler Unterschiede ziehen Sie den Invacare-Katalog oder die Invacare-Website für Ihr Land zurate, um sich über verfügbare Optionen zu informieren, oder wenden Sie sich an Ihren Invacare-Fachhändler.

## 2.2 Sicherheitshinweise zur elektromagnetischen Verträglichkeit



### **WARNUNG!**

#### **Gefahr von Fehlfunktionen**

Elektromagnetische Störungen können den Betrieb beeinträchtigen.

- Verwenden Sie dieses Produkt nicht unmittelbar neben oder mit anderen elektrischen Geräten gestapelt. Sofern eine solche Verwendung erforderlich ist, müssen das Produkt und andere Geräte sorgfältig beobachtet werden, um den einwandfreien Betrieb sicherzustellen.



### **WARNUNG!**

#### **Gefahr von Fehlfunktionen aufgrund elektromagnetischer Störungen**

Zwischen diesem Produkt und anderen elektrischen Geräten kann es zum Auftreten elektromagnetischer Störungen kommen, die die elektrischen Einstellfunktionen dieses Produkts beeinträchtigen können. Um derartige elektromagnetische Störungen zu verhindern, zu reduzieren oder zu beseitigen, sollten Sie die folgenden Richtlinien beachten:

- Verwenden Sie nur Originalkabel, -zubehör und -ersatzteile, um die elektromagnetischen Emissionen nicht zu erhöhen bzw. die elektromagnetische Störfestigkeit dieses Produkts nicht zu verringern.
- Verwenden Sie tragbare HF-Kommunikationsgeräte nur in einem Abstand von mindestens 30 cm zu beliebigen Teilen dieses Produkts (einschließlich Kabeln).
- Verwenden Sie dieses Produkt nicht in der Nähe aktiver chirurgischer Hochfrequenzgeräte und nicht in der Nähe eines vor HF-Strahlung abgeschirmten Raums eines Kernspintomographiesystems (derartige Systeme verursachen starke elektromagnetische Störungen).
- Falls Störungen auftreten, vergrößern Sie den Abstand zwischen diesem Produkt und dem anderen Gerät, oder schalten Sie es aus.



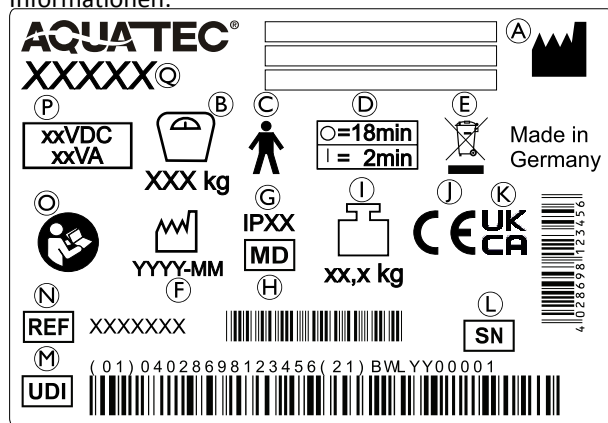
Die Nutzung von Produkten wie beispielsweise Herzschrittmachern ist nach unserem Kenntnisstand mit keinerlei Gefahren verbunden.

Hinweise und Herstellererklärungen zu elektromagnetischer Emission und Störfestigkeit sind auf Anfrage bei Invacare in Ihrem Land erhältlich.

## 2.3 Schilder und Symbole auf dem Produkt

### Typenschild

Das Typenschild (in blau gedruckt) enthält wichtige Informationen:



- Ⓜ Medizinprodukt
- Ⓛ Produktgewicht
- Ⓝ CE-Kennzeichnung
- Ⓚ UKCA-Kennzeichnung
- Ⓛ Seriennummer
- Ⓜ Produktidentifizierungsnummer
- Ⓝ Referenznummer
- Ⓞ Gebrauchsanweisung lesen
- Ⓟ Nennspannung/Nennleistung, siehe *10 Technische Daten, Seite 58*
- Ⓞ Produktbezeichnung



Das Typenschild ist an der Rückseite der Rückenlehne angebracht.

### Andere Etiketten auf dem Produkt



Das Etikett (weißes Symbol auf blauem Hintergrund) zeigt die Position an, an der der Benutzer die Rückenlehne beim Hochklappen nach unten drücken muss, siehe *4 Inbetriebnahme, Seite 39*.

- Ⓐ Hersteller und Herstelleradresse
- Ⓑ Maximales Benutzergewicht
- Ⓒ Anwendungsteil vom Typ B
- Ⓓ Nutzungsintervall (ein Dauerbetrieb des Motors ist nicht zulässig): max. 2 Minuten ununterbrochener Betrieb, gefolgt von einer 18-minütigen Pause.
- Ⓔ WEEE-Kennzeichnung
- Ⓕ Herstellungsdatum
- Ⓖ Schutzart

## 3 Produktübersicht

### 3.1 Verwendungszweck

Aquatec ORCA, ORCA F und ORCA XL sind akkubetriebene Badewannenlifter, die als Hilfsmittel für das Einsteigen in eine Badewanne und Aussteigen aus einer Badewanne dienen.

Sie bestehen aus einer Sitzplatte (mit integrierten Seitenklappen) mit rutschfester Oberfläche, einer starren Rückenlehne, die abgesenkt werden kann, und einer Fernbedienung für die Steuerung der Aufwärts- und Abwärtsbewegung des Sitzes. ORCA und ORCA XL verfügen über eine starre Rückenlehne, die abgesenkt werden kann. ORCA F besitzt eine feststehende Rückenlehne. Optional sind verschiedene Komponenten wie Sitz- und Rückenlehnenbezüge erhältlich.

#### Vorgesehener Benutzerkreis

Benutzer sind alle Personen mit eingeschränkter oder fehlender Mobilität. Bei Verwendung ohne Begleitperson müssen Benutzer in der Lage sein, das Gleichgewicht zu halten.

#### Indikationen

- Mobilitätseinschränkungen (z. B. Beine und/oder Hüften) oder
- Gleichgewichtsprobleme beim Aufstehen oder Gehen aufgrund vorübergehender oder dauerhafter Behinderungen.

Bei bestimmungsgemäßem Gebrauch dieses Produkts sind keine Gegenanzeigen bekannt. Hinsichtlich des maximal

1574469-F

zulässigen Benutzergewichts siehe *10 Technische Daten, Seite 58*.

### 3.2 Hauptkomponenten des Produkts

Die folgenden Komponenten sind im Lieferumfang enthalten:

#### Handbedienteil und Ladegerät

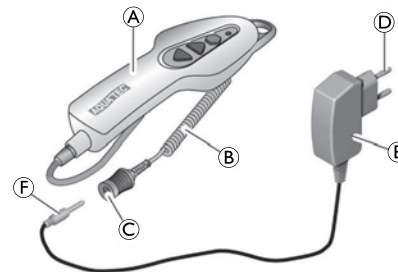


Fig. 3-1

Ⓐ	Handbedienteil mit Akku	Ⓓ	Netzstecker
Ⓑ	Spiralkabel	Ⓔ	Ladegerät
Ⓒ	Klinkenbuchse	Ⓕ	Klinkenstecker

## Sitz

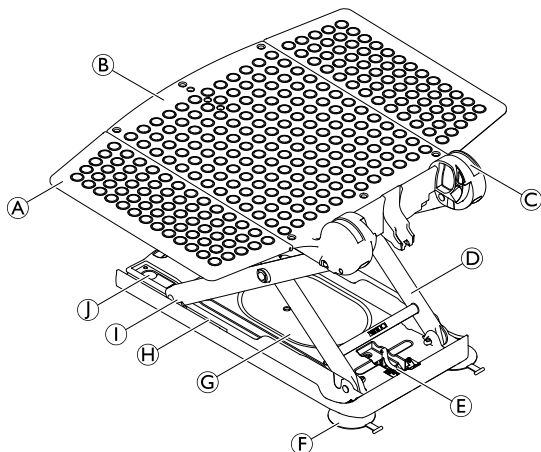


Fig. 3-2

Ⓐ	Seitenklappe	Ⓕ	Hintere Saugnäpfe (mit Gewinde)
Ⓑ	Sitzplatte	Ⓖ	Grundplatte
Ⓒ	Scharnier für Rückenlehne	Ⓗ	Führung für die Gleitfläche
Ⓓ	Hubschere	Ⓘ	Gleitoberfläche
Ⓔ	Spindelfußhalterung	⓵	Vordere Saugnäpfe (eine Lasche mit Kopf)

## Rückenlehne

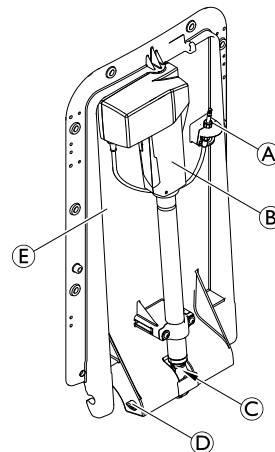


Fig. 3-3

Ⓐ	Klinkenstecker	Ⓓ	Verriegelungsstift
Ⓑ	Antrieb	Ⓔ	Rückenlehnenplatte
Ⓒ	Spindelfuß		

## 4 Inbetriebnahme

### 4.1 Sicherheitsinformationen



#### Gefahr von Sachschäden

- Überprüfen Sie alle Teile auf Transportschäden, und führen Sie vor jeder Verwendung eine Überprüfung durch. Wenden Sie sich im Bedarfsfall an Ihren Fachhändler.
- Achten Sie bei der Montage darauf, dass die Teile korrekt aufeinander ausgerichtet sind.
- Es wird empfohlen, die Bezüge vor dem ersten Gebrauch zu waschen (siehe 7.2 *Reinigung und Desinfektion*, Seite 51).

### 4.2 Einrichten des Badewannenlifters



#### WARNUNG! Rutschgefahr

Wenn die Saugnäpfe keinen einwandfreien Halt haben, kann der Badewannenlifter verrutschen.

- Reinigen Sie die Badewanne und die Saugnäpfe mit einem feuchten Tuch, bevor Sie den Badewannenlifter einrichten.
- Verändern Sie die Position des Badewannenlifters in der Badewanne nicht mehr, wenn dieser erst einmal eingerichtet ist.



#### WARNUNG!

#### Gefahr von Verletzungen und Sachschäden!

- Stellen Sie den Badewannenlifter nur in Badewannen auf, die den Angaben der folgenden Tabelle entsprechen.
- Wenn in der Badewanne ein seitlicher Überlauf vorhanden ist, verwenden Sie die optionalen Sonder-Seitenklappen.

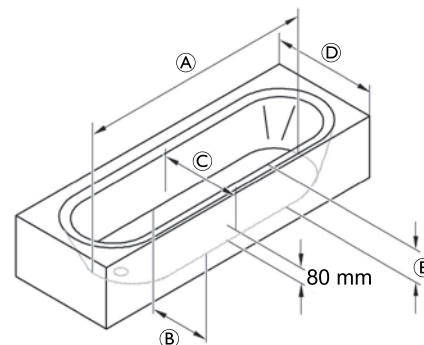


Fig. 4-1

Ⓐ	Wannenlänge (Wannenboden)	≥ 800 mm
Ⓑ	Wannenbreite (Wannenboden, innen)	≥ 280 mm
Ⓒ	Wannenbreite in 80 mm Höhe (innen)	≥ 430 mm
Ⓓ	Wannenbreite (außen)	700–740 mm <sup>1)</sup>
Ⓔ	Wannenhöhe (innen)	≤ 420 mm <sup>2)</sup>

- 1) 580–690 mm oder 750–1000 mm mit Sonder-Seitenklappen (optional)
- 2) mit Höhenadapter max. + 60 mm

### ! Gefahr von Sachschäden

- Stellen Sie sicher, dass die Saugnäpfe richtig angebracht sind.
- Stellen Sie sicher, dass der Akku im Handbedienteil aufgeladen ist.
- Beachten Sie beim Anheben von Komponenten des Badewannenlifters, dass diese z. T. ein beachtliches Gewicht aufweisen (siehe 10.1 *Abmessungen und Gewicht, Seite 58*).
- Wenn ein Handlauf an der Innenseite der Badewanne angebracht ist, verwenden Sie den optionalen Seitenklappenabweiser.

1.

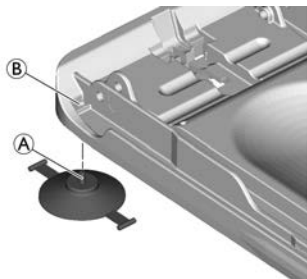


Fig. 4-2

Setzen Sie den hinteren Saugnapf mit dem Gewindebolzen **A** auf die Hülsmutter **B** und schrauben Sie ihn ein. Schrauben Sie die Schraube so

weit ein, wie der Saugnapf zur Ausrichtung auf der Grafik passt.

2.

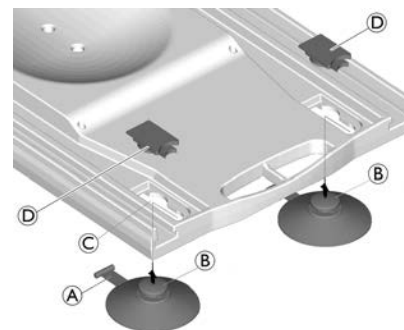


Fig. 4-3

Stecken Sie die Lasche **A** durch die Schlüssellochbohrung **C** und setzen Sie ihn in die entsprechende Aussparung. Führen Sie den Kopf des Saugnapfes **B** durch die Bohrung **C** und ziehen Sie den Saugnapf nach vorne. Befestigen Sie den Saugnapf mit dem roten Deckel **D**.



3.

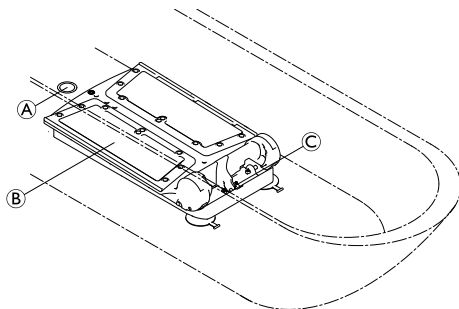


Fig. 4-4

Stellen Sie den Sitz (B) auf den Boden der leeren Badewanne. Vergewissern Sie sich, dass die Spindelfußhalterung (C) zum Wannende (dem Ablauf (A) entgegengesetzt) gerichtet ist.

4.

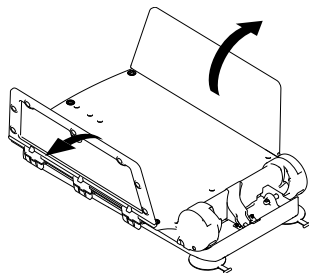


Fig. 4-5

Klappen Sie die Seitenklappen des Sitzes nach außen.

5.

**HINWEIS!**

– Stellen Sie sicher, dass die Seitenklappen nach außen geklappt sind, bevor Sie die Rückenlehne auf dem Sitz platzieren.

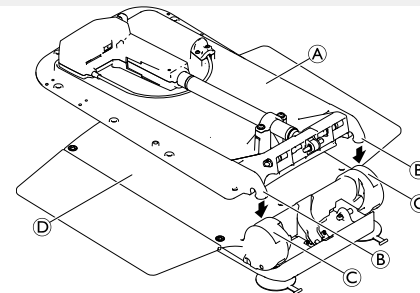


Fig. 4-6

Setzen Sie die Rückenlehne (A) (ohne Handbedienteil) so auf den Sitz, dass die Haken (B) der Rückenlehne in die Scharniere (C) der Sitzplatte (D) greifen.

6.



### Gefahr von Sachschäden

Beschädigung des Produkts durch Herausrutschen des Spindelfußes.

- Vergewissern Sie sich, dass die Spindel vor dem Hochklappen der Rückenlehne vollständig zurückgezogen ist und dass der Spindelfuß anliegt und nicht verdreht ist.
- Nach dem Hochklappen der Rückenlehne ist sicherzustellen, dass sich der Spindelfuß in der Spindelfußhalterung befindet.

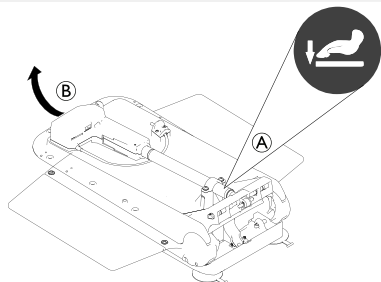


Fig. 4-7

Drücken Sie die Rückenlehne an der Position des Etiketts **A** mit einer Hand nach unten auf die Sitzplatte, um die Haken in die Scharniere einzurasten.

7. Während Sie die Rückenlehne wie in Schritt 6 beschrieben noch leicht nach unten drücken, halten Sie die Rückenlehne in der Mitte des Kopfendes **B** und klappen Sie die Rückenlehne vorsichtig in die Endposition hoch.

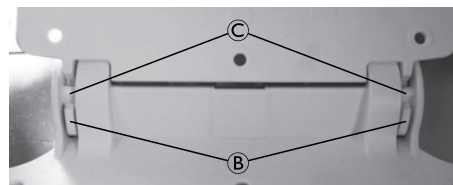


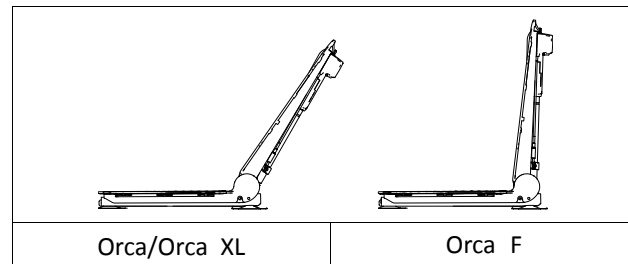
Fig. 4-8



### Gefahr von Sachschäden

Beschädigung des Produkts durch falsche Montage der Rückenlehne.

- Achten Sie darauf, dass die beiden Haken **B** der Rückenlehne in die Scharniere **C** der Sitzplatte greifen.
- Vergewissern Sie sich, dass die Rückenlehne ohne Kraftaufwand und spürbaren Widerstand in die Endlage hochgeklappt wird. Die nachstehende Abbildung zeigt die Endlage.



8.

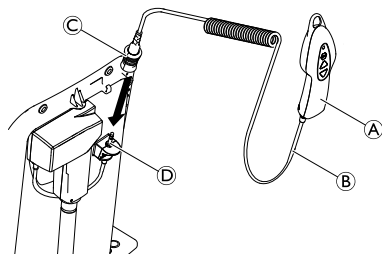


Fig. 4-9

Um das Handbedienteil **A** mit dem Badewannenlifter zu verbinden, stecken Sie die Klinkenbuchse mit Entriegelungshülse **C** auf den Klinkenstecker **D** auf, bis der Verriegelungsmechanismus spürbar einrastet.

### ! Gefahr von Sachschäden

- Achten Sie darauf, dass die Rückenlehne den Wannenrand nicht berührt.
- Platzieren Sie den Badewannenlifter ggf. weiter vorne in der Badewanne. Um den Badewannenlifter weiter vorne in der Badewanne zu platzieren, senken Sie den Badewannenlifter ab, lösen Sie die Saugnäpfe, und repositionieren Sie den Badewannenlifter.

## 4.3 Laden des Akkus

Während der Akku geladen wird, kann der Badewannenlifter nicht verwendet werden.



### WARNUNG!

#### Stromschlaggefahr

- Laden Sie den Akku nur in trockenen Räumen bei Zimmertemperatur (15 °C bis 25 °C), niemals jedoch im Badezimmer.



### Gefahr von Sachschäden

- Verwenden Sie für das Aufladen des Akkus im Handbedienteil nur das mitgelieferte Ladegerät.
- Schließen Sie das Ladegerät nur dann an das Stromnetz an, wenn das Handbedienteil an das Ladegerät angeschlossen ist.
- Achten Sie darauf, dass die Spannungsangaben auf dem Ladegerät mit denen des Stromnetzes übereinstimmen.

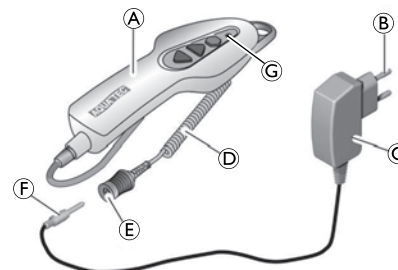


Fig. 4-10

1. Stecken Sie den Klinkenstecker **F** des Ladegeräts **C** in die Klinkenbuchse **E** des Spiralkabels **D** des Handbedienteils **A**, bis er einrastet.
2. Stecken Sie den Netzstecker **B** des Ladegeräts in eine Steckdose.



Die rote Kontrollleuchte © am Handbedienteil erlischt, wenn der Akku für die nächste Verwendung ausreichend geladen ist. Ein Überladen des Akkus ist nicht möglich.

3. Ziehen Sie das Ladegerät aus der Steckdose.
4. Ziehen Sie den Klinkenstecker des Ladegeräts aus der Klinkenbuchse des Handbedienteils.

## 5 Verwenden

### 5.1 Sicherheitsinformationen



#### **VORSICHT!**

#### **Verletzungsgefahr oder Gefahr von Sachschäden**

In ein beschädigtes Handbedienteil kann Feuchtigkeit eindringen, was einen Kurzschluss mit Brandentwicklung verursachen könnte.

- Führen Sie vor jeder Verwendung des Produkts eine Sichtkontrolle auf äußere Schäden durch.
- Verwenden Sie das Handbedienteil nicht, wenn sein Gehäuse beschädigt ist oder Risse aufweist.



#### **VORSICHT!**

#### **Einklemmgefahr**

- Greifen Sie nicht mit den Fingern in die Führung zwischen der Sitzplatte und der Rückenlehne.
- Greifen Sie nicht unter die Sitzplatte oder in die Hubscheren.



#### **Gefahr von Sachschäden**

Eine Überlastung des Badewannenlifters kann die Vorrichtung beschädigen oder das Anheben verhindern.

- Überlasten Sie den Badewannenlifter nicht. Angaben zur Tragfähigkeit des Badewannenlifters finden Sie auf dem Typenschild oder unter *10 Technische Daten, Seite 58*.



Laden Sie den Akku regelmäßig auf (siehe *4.3 Laden des Akkus in 4 Inbetriebnahme, Seite 39*).



Weitergehende Informationen zu den Betriebsbedingungen finden Sie unter *10.4 Umweltparameter, Seite 59*.

### 5.2 Steuerung des Badewannenlifters

Der Badewannenlifter kann in die folgenden Richtungen bewegt werden:



Fig. 5-1

Der Badewannenlifter wird – durch den Anwender oder einen Helfer – über das Handbedienteil gesteuert.



Bei voll aufgeladenem Akku können die Badewannenlifter ORCA und ORCA F fünf Badegänge mit einer Last von 140 kg durchführen. Der Badewannenlifter ORCA XL kann vier Badegänge mit einer Last von 170 kg durchführen.

- Ⓐ Not-Halt-Taste
- Ⓑ Aufwärts-Taste
- Ⓒ Handbedienteil
- Ⓓ Abwärts-Taste
- Ⓔ Kontrollleuchte

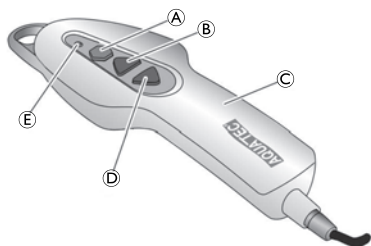


Fig. 5-2

### ! Gefahr von Sachschäden

– Das Handbedienteil darf nur verwendet werden, wenn die Rückenlehne richtig montiert ist und sich in aufrechter Position befindet.

i Wenn der Akku im Handbedienteil Ⓒ keine ausreichende Ladung aufweist, leuchtet beim Drücken der Abwärts-Taste Ⓓ die Kontrollleuchte Ⓔ auf. In diesem Fall ist die Absenkfunktion des Badewannenlifters deaktiviert. Sie können den Badewannenlifter jedoch nach wie vor hochfahren.

1. Laden Sie den Akku sofort nach dem Hochfahren des Badewannenlifters auf.

### Hochfahren des Badewannenlifters

i Wenn die Rückenlehne abgesenkt ist, bewegt sie sich zuerst in die aufrechte Stellung (nicht beim Modell ORCA F).

1. Drücken Sie die Aufwärts-Taste Ⓑ am Handbedienteil, und halten Sie sie gedrückt. Die Rückenlehne bewegt sich in die aufrechte Stellung, oder der Sitz fährt hoch.
2. Geben Sie die Aufwärts-Taste am Handbedienteil frei. Der Badewannenlifter hält in der aktuellen Stellung an.

### Absenken des Badewannenlifters

i Ist der Sitz bereits heruntergefahren, senkt sich die Rückenlehne nach hinten ab (nicht beim Modell ORCA F).


1. Drücken Sie die Abwärts-Taste Ⓓ am Handbedienteil, und halten Sie sie gedrückt. Der Sitz bewegt sich nach unten, oder die Rückenlehne neigt sich nach hinten.
2. Geben Sie die Abwärts-Taste am Handbedienteil frei. Der Badewannenlifter hält in der aktuellen Stellung an.

### Not-Halt-Taste

#### ! Gefahr von Sachschäden

• Drücken Sie die Not-Halt-Taste Ⓐ nur, wenn die Vorrichtung beim Freigeben der Aufwärts- oder Abwärts-Taste nicht sofort stoppt (beispielsweise weil sich die Taste verklemmt hat). Der Badewannenlifter hält sofort an, und die Kontrollleuchte im Handbedienteil leuchtet auf.

Wenn der Lifter nach dem Loslassen der Not-Halt-Taste auf das Drücken der Aufwärts- oder der Abwärts-Taste nicht anspricht, wurde die Störung nicht behoben. Die Vorrichtung ist nicht einsatzbereit und muss repariert werden (beispielsweise bei einem Schaden an der Elektronik).

 Wenden Sie sich im Bedarfsfall an Ihren Fachhändler.

### 5.3 Baden



#### **WARNUNG!** **Rutschgefahr**

Wenn die Saugnäpfe keinen einwandfreien Halt haben, kann der Badewannenlifter verrutschen.

- Vergewissern Sie sich vor der Verwendung des Badewannenlifters, dass er sicher montiert ist und nicht umkippen kann.
- Stellen Sie sicher, dass der Badewannenlifter in einer Badewanne mit den korrekten Abmessungen eingerichtet ist (siehe 4.2 *Einrichten des Badewannenlifters, Seite 39*).



#### **WARNUNG!** **Verletzungsgefahr**

- Wenn Sie aufgrund Ihres Zustands nicht alleine baden können, dürfen Sie die Vorrichtung nur unter Aufsicht benutzen.
- Wenn Sie die Vorrichtung ohne Aufsicht benutzen, müssen Sie sicherstellen, dass Sie im Falle eines unvorhergesehenen Ereignisses (z. B. einer Fehlfunktion) ein Alarmsystem oder ein Telefon in Reichweite haben.



#### **Gefahr von Sachschäden**

Badeöle oder -salze können das Leistungsverhalten der Hubschere beeinträchtigen.

- Bei Verwendung solcher Badezusätze darf die empfohlene Dosierung nicht überschritten werden.



Fahren Sie den unbelasteten Badewannenlifter einmal heraus und dann wieder herab (Funktionstest).

1. Drücken Sie die Aufwärts-Taste und halten Sie diese gedrückt, bis der Sitz auf Höhe der Wannenkante ist.
2. Achten Sie darauf, dass die Seitenklappen auf gleicher Höhe mit dem Sitz sind und flach auf dem Wannenrand aufliegen (Ausgangsposition).
3. Füllen Sie die Wanne mit Wasser.
4. Setzen Sie sich auf die Ihnen nächstgelegene Seitenklappe (wie auf einen Stuhl).
5. Rutschen Sie nach hinten, bis Sie auf der Mitte des Sitzes sitzen.
6. Schwenken Sie sich in die Badeposition, indem Sie die Beine nacheinander über den Wannenrand heben.
7. Sobald Sie richtig sitzen, drücken Sie die Abwärts-Taste und halten diese gedrückt, um den Sitz in die Badewanne abzusenken.



Sobald der Sitz die unterste Position erreicht hat, kann durch weiteres Gedrückthalten der Abwärts-Taste die Rückenlehnenneigung verstellt werden. Auf diese Weise wird eine komfortablere Badeposition erreicht, die Ihnen ein tieferes Eintauchen in das Badewasser ermöglicht (nicht beim Modell ORCA F).

8. Halten Sie die Abwärts-Taste gedrückt, bis die Rückenlehne die gewünschte Stellung eingenommen hat.



Zum Verlassen der Badewanne führen Sie diese Schritte in umgekehrter Reihenfolge aus.

9. Um die Rückenlehne aufrecht zu stellen oder den Badewannenlifter hochzufahren, drücken Sie die Aufwärts-Taste und halten diese gedrückt, bis sich der Sitz auf Höhe des Wannenrands befindet.



#### **Gefahr von Sachschäden**

- Trennen Sie das Handbedienteil von der Vorrichtung, wenn der Badewannenlifter nicht benutzt wird (siehe *6.2 Entfernen des Badewannenlifters*, Seite 49, Schritt 3).



## 6 Transport

### 6.1 Sicherheitsinformationen



#### Gefahr von Sachschäden

- Die in Abschnitt 10.4 *Umweltparameter*, Seite 59 aufgeführten Transport- und Lagerbedingungen beachten.
- Die Rückenlehne ist in eingeklapptem Zustand nicht am Sitz arretiert und kann sich von diesem lösen.
- Nehmen Sie die Saugnäpfe für den Transport des Badewannenlifters nicht ab.



Der Grundrahmen mit Sitzplatte und Rückenlehne kann für den Transport zerlegt werden.

### 6.2 Entfernen des Badewannenlifters

1. Lassen Sie das Wasser aus der Badewanne ab.
2. Fahren Sie den Badewannenlifter durch Drücken der Abwärts-Taste nach unten, bis die Rückenlehne in der abgesenkten Endlage anhält (siehe 5.2 *Steuerung des Badewannenlifters*, Seite 45).
3. Entriegeln Sie die Klinkenbuchse am Spiralkabel des Handbedienteils, indem Sie die Entriegelungshülse hochschieben und vom Klinkenstecker abziehen.

4.

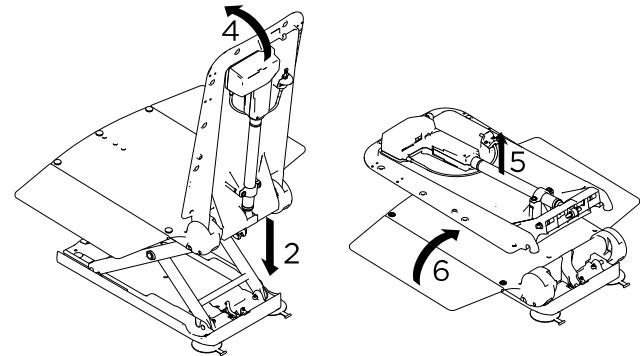


Fig. 6-1

Halten Sie die Rückenlehne am Kopfende fest, und klappen Sie die Rückenlehne langsam nach vorne in die Endlage.



#### Gefahr von Sachschäden

- Klappen Sie die Rückenlehne nicht herunter, wenn sich Wasser in der Badewanne befindet.
- Stellen Sie vor dem Umklappen der Rückenlehne sicher, dass sie sich vollständig in der abgesenkten Position befindet.
- Achten Sie beim Herunterklappen der Rückenlehne darauf, dass das Spiralkabel des Handbedienteils nicht eingeklemmt wird.

5. Ziehen Sie die Rückenlehne nach oben vom Sitz ab und aus der Badewanne heraus.

6. Klappen Sie die Seitenklappen des Sitzes einwärts.
- 7.

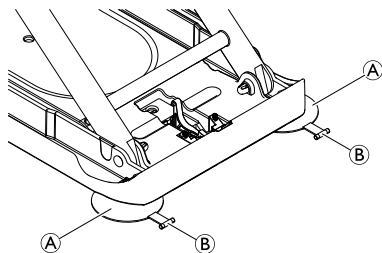


Fig. 6-2

Lösen Sie die hinteren Saugnäpfe **A** gleichzeitig, indem Sie an den hervorstehenden Laschen **B** nach oben ziehen.

8. Heben Sie die Rückseite des Sitzes leicht an. Dadurch werden die vorderen Saugnäpfe gelöst.



Wenn Höhenadapter (optional) montiert wurden, müssen Sie zum Lösen der vorderen Saugnäpfe auch deren Laschen hochziehen.

9. Nehmen Sie den Grundrahmen samt Sitzplatte aus der Badewanne heraus.

## 7 Instandhaltung

### 7.1 Wartung und Inspektion

Für dieses Produkt ist keine Instandhaltung erforderlich, sofern die aufgeführten Reinigungs- und Sicherheitshinweise beachtet werden.



#### Gefahr von Sachschäden

– Das Handbedienteil darf nur vom Hersteller des Badewannenlifters geöffnet werden.

1. Überprüfen Sie das Produkt regelmäßig auf Schäden, und vergewissern Sie sich, dass es ordnungsgemäß zusammengebaut ist.
2. Wenn Sie eine Beschädigung feststellen und/oder eine Reparatur erforderlich ist, wenden Sie sich umgehend an Ihren Fachhändler.
3. Der Badewannenlifter muss vor jedem Wiedereinsatz von einem autorisierten Fachhändler überprüft werden. Es wird empfohlen, den Badewannenlifter spätestens nach 24 Monaten (gemäß DIN EN ISO 10535) zu überprüfen.
4. Wenn der Badewannenlifter längere Zeit nicht verwendet worden ist, laden Sie den Akku vollständig auf, und fahren Sie den Badewannenlifter dreimal ohne Last herauf und herunter. Wiederholen Sie diesen Vorgang alle 3 Monate. Dies wirkt sich förderlich auf die Nutzungsdauer des Akkus aus.

## 7.2 Reinigung und Desinfektion

### 7.2.1 Allgemeine Sicherheitsinformationen



#### VORSICHT!

##### Kontaminationsgefahr

– Vorkehrungen für sich selbst treffen und geeignete Schutzausrüstung verwenden.



#### HINWEIS!

Falsche Reinigungsmethoden oder -flüssigkeiten können zu einer Beschädigung des Produkts führen.

- Alle verwendeten Reinigungs- und Desinfektionsmittel müssen wirksam und miteinander verträglich sein und das Material schützen, das mit ihnen gereinigt wird.
- Keinesfalls korrodierende Flüssigkeiten (Laugen, Säuren usw.) oder scheuernde Reinigungsmittel verwenden. Wir empfehlen ein haushaltsübliches Reinigungsmittel wie z. B. Geschirrspülmittel.
- Niemals Lösungsmittel (Nitroverdünnung, Aceton usw.) verwenden, die die Struktur des Kunststoffes verändern oder die angebrachten Etiketten angreifen.



Zur Reinigung und Desinfektion in Langzeitpflegeumgebungen oder klinischen Umgebungen die internen Verfahren beachten.

## 7.2.2 Reinigungsintervalle



### HINWEIS!

Regelmäßige Reinigung und Desinfektion sorgen für einen reibungslosen Betrieb, verlängern die Nutzungsdauer und verhindern Verunreinigungen. Reinigen und desinfizieren Sie das Produkt:

- regelmäßig, sofern es verwendet wird
- vor und nach jeder Wartung
- nach Kontakt mit Körperflüssigkeiten
- vor Benutzung durch einen neuen Patienten

## 7.2.3 Reinigungsanweisungen

### Reinigung des Sitzes und der Rückenlehne



### VORSICHT!

#### Einklemmgefahr


- Gehen Sie bei der Reinigung im Bereich der Hebescheren besonders vorsichtig vor, da sie sich bewegen und zu Verletzungen führen können.



### Gefahr von Sachschäden

- Verwenden Sie für die Reinigung der Rückenlehne niemals einen Hochdruckreiniger.

1. Reinigen Sie das Produkt mit einem Tuch oder einer Bürste.
2. Spülen Sie das Produkt mit warmem Wasser ab.

3. Trocknen Sie das Produkt mit einem Tuch.
4. Schmieren Sie die Führung für die Gleitfläche (siehe Markierung  in Abbildung 3.2 in Kapitel 3.2 *Hauptkomponenten des Produkts, Seite 37*) leicht mit Vaseline.

### Reinigen der Bezüge (optional)



Es wird empfohlen, die Bezüge vor dem ersten Gebrauch zu waschen. Aus Hygienegründen wird empfohlen, die Bezüge regelmäßig zu reinigen und jährlich auszutauschen.

1. Knöpfen Sie den Bezug am Sitz und den Bezug an der Rückenlehne auf.
2. Waschen Sie die Bezüge mit einem milden Waschmittel bei max. 60 °C in der Waschmaschine.



### Gefahr von Sachschäden

- Waschen bei höheren Temperaturen kann dazu führen, dass die Bezüge beschädigt werden oder einlaufen.
- Trocknen Sie die Bezüge nicht im Wäschetrockner.

## Reinigen des Ladegeräts und des Handbedienteils



### **WARNUNG!** **Stromschlaggefahr**

- Ziehen Sie stets den Stecker aus der Steckdose, bevor Sie das Ladegerät reinigen.
- Stecken Sie niemals Gegenstände aus leitendem Material (z. B. Stricknadeln, Metallstifte) in die Klinkenbuchse des Handbedienteils.
- Verwenden Sie niemals ein nasses oder feuchtes Tuch für die Reinigung des Ladegeräts.



### **VORSICHT!** **Gefahr von Stromschlag und Produktschäden**

- Das Gerät ggf. ausschalten und vom Netz trennen.
- Bei der Reinigung von elektronischen Bauteilen ist zu beachten, welche Schutzart (Schutz gegen eindringendes Wasser) diese besitzen.
- Sicherstellen, dass kein Wasser auf den Netzstecker oder die Steckdose gelangt.
- Die Steckdose nicht mit nassen Händen berühren.

1. Trocknen Sie das Ladegerät mit einem trockenen Tuch.
2. Reinigen Sie das Handbedienteil mit einem feuchten Tuch.
3. Trocknen Sie das Handbedienteil mit einem Tuch ab.

### **7.2.4 Desinfektionsanweisungen**

Methode: Befolgen Sie die Anwendungshinweise des verwendeten Desinfektionsmittels und desinfizieren Sie alle zugänglichen Flächen.

Desinfektionsmittel: Haushaltsübliches Desinfektionsmittel

Trocknen: Das Produkt an der Luft trocknen lassen.

## 8 Nach dem Gebrauch

### 8.1 Lagerung



#### Gefahr von Sachschäden

- Das Produkt nicht in der Nähe von Wärmequellen lagern.
- Akkus von offenen Flammen fernhalten.
- Das Produkt keiner direkten Sonneneinstrahlung aussetzen.
- Beachten Sie die in Abschnitt 10.4 *Umweltparameter*, Seite 59 aufgeführten Transport- und Lagerbedingungen.

### 8.2 Wiederaufbereitung

Dieses Produkt ist für die wiederholte Verwendung geeignet. Um das Produkt für einen neuen Benutzer wiederaufzubereiten, sind die folgenden Maßnahmen zu ergreifen:

- Prüfung
- Reinigung und Desinfektion

Ausführliche Informationen finden Sie im Kapitel 7 *Instandhaltung*, Seite 51 sowie im Servicehandbuch zu diesem Produkt.

Stellen Sie sicher, dass die Gebrauchsanweisung zusammen mit dem Produkt übergeben wird.

Das Produkt darf nicht wiederverwendet werden, wenn es beschädigt ist oder Funktionsstörungen vorliegen.

### 8.3 Entsorgung



#### WARNUNG!

#### Umweltgefährdung

Das Produkt enthält Akkus.

Das Produkt enthält Substanzen, die die Umwelt schädigen können, wenn sie nicht in Übereinstimmung mit der nationalen Gesetzgebung entsorgt werden.

- Entsorgen Sie die Akkus NICHT über den normalen Haushaltsmüll.
- Akkus NICHT ins Feuer werfen.
- Akkus MÜSSEN zu einer entsprechenden Annahmestelle gebracht werden. Sie sind von Gesetzes wegen zur Rückgabe verpflichtet. Die Rückgabe von Akkus ist kostenlos.
- Akkus vor der Entsorgung entladen.
- Kleben Sie die Anschlussklemmen von Lithium-Akkus vor der Entsorgung ab.
- Informationen zum Akku-Typ finden Sie auf dem Akku-Etikett oder im Kapitel 10 *Technische Daten*, Seite 58.

Handeln Sie umweltbewusst, und lassen Sie dieses Produkt nach dem Ende seiner Lebensdauer über eine lokale Müllverwertungsanlage recyceln.

Demontieren Sie das Produkt und seine Bauteile, damit die verschiedenen Materialien einzeln getrennt und recycelt werden können.

Die Entsorgung und das Recycling von gebrauchten Produkten und Verpackungen müssen in Übereinstimmung mit den einschlägigen Gesetzen und Vorschriften des

jeweiligen Landes zur Abfallentsorgung erfolgen. Wenden Sie sich an Ihr Abfallentsorgungsunternehmen, wenn Sie weitere Informationen wünschen.

## 9 Problembehandlung

### 9.1 Erkennen und Beheben von Mängeln



In der folgenden Tabelle finden Sie Informationen zu Mängeln und ihren möglichen Ursachen. Wenn Sie die Störung mit den genannten Lösungen nicht beheben können, wenden Sie sich bitte direkt an Ihren Fachhändler.

Störung	Mögliche Ursache	Lösung
Kein Motorgeräusch hörbar / Badewannenlifter bewegt sich nicht.	Die Klinkenkupplung des Handbedienteils ist nicht richtig am Klinkenstecker des Badewannenlifters angeschlossen.	Stecken Sie die Klinkenkupplung auf den Klinkenstecker → 4.2 <i>Einrichten des Badewannenlifters, Seite 39.</i>
	Der Akku ist leer.	Laden Sie den Akku vollständig auf → 4.3 <i>Laden des Akkus, Seite 43.</i>
	Die Kontakte sind verschmutzt.	Reinigen Sie den Stecker an der Rückenlehne.
	Das Kabel ist gequetscht/beschädigt.	Tauschen Sie das Handbedienteil aus, → wenden Sie sich an Ihren Fachhändler.
Der Badewannenlifter kann hoch-, aber nicht heruntergefahren werden.	Der Unterspannungsschutz ist aktiviert.	Laden Sie den Akku vollständig auf → 4.3 <i>Laden des Akkus, Seite 43.</i>
Der Badewannenlifter stoppt beim Hochfahren.	Übermäßige Last.	Beachten Sie die maximale Belastung → 10.1 <i>Abmessungen und Gewicht, Seite 58.</i>
Der Badewannenlifter haftet nicht sicher an der Badewanne.	Die Saugnäpfe sind verschlissen oder beschädigt.	Ersetzen Sie die Saugnäpfe, → wenden Sie sich bitte an Ihren Fachhändler.



<b>Störung</b>	<b>Mögliche Ursache</b>	<b>Lösung</b>
Der Akku wird nicht geladen, und während des Ladevorgangs blinkt die rote Kontrollleuchte.	Die Elektronik ist schadhaft.	Lassen Sie Ihren autorisierten Fachhändler das Handbedienteil überprüfen.
	Der Akku ist schadhaft.	Tauschen Sie das Handbedienteil aus, → wenden Sie sich an Ihren Fachhändler.
	Das Ladegerät ist schadhaft.	Lassen Sie das Ladegerät durch einen autorisierten Fachhändler überprüfen.
	Der Akku ist zu heiß.	Halten Sie das Handbedienteil von Wärmequellen fern. Der Ladevorgang wird automatisch fortgesetzt, sobald die Temperatur wieder auf zulässige Werte abgefallen ist.

## 10 Technische Daten

### 10.1 Abmessungen und Gewicht

Gesamtlänge in der niedrigsten Position	920 mm
Gesamtlänge in der höchsten Position	650 mm
Gesamthöhe in der höchsten Position	1075 mm
Länge Sitz	590 mm
Breite Sitz bei ausgeklappten Standard-Seitenklappen	715 mm
Breite Sitz bei eingeklappten Standard-Seitenklappen	390 mm
Höhe des Sitzes in niedrigster Position	60 mm
Höhe des Sitzes in höchster Position	420 mm
Breite der Rückenlehne	360 mm
Mindestwinkel der Rückenlehne	8°
Breite der Grundplatte	295 mm
Belastung max. (ORCA / ORCA F) Belastung max. (ORCA XL)	140 kg 170 kg
Gesamtgewicht ohne Handbedienteil* (ORCA) (ORCA F) (ORCA XL)	10,8 kg 11,4 kg 11,6 kg

Gewicht Sitz* (ORCA) (ORCA F) (ORCA XL)	6,6 kg 7,2 kg 7,4 kg
Gewicht Rückenlehne* (ORCA / ORCA F / ORCA XL)	4,2 kg
Gewicht Handbedienteil	0,4 kg
Gewicht Ladegerät	0,1 kg

\* Für Produkte mit Produktionsdatum vor Mai 2015 gelten folgende Gewichte:

Gesamtgewicht ohne Handbedienteil	12,1 kg
Gewicht Sitz	7,5 kg
Gewicht Rückenlehne	4,6 kg



Das Produktionsdatum ist auf dem Typenschild zu finden.

### 10.2 Elektronische Daten

Betätigungskraft für die Tasten des Handbedienteils	< 5 N
Betriebsspannung des Handbedienteils <sup>1)</sup>	11,1 V DC/10,95 V DC/10,8 V DC
Nenneingangsleistung <sup>1)</sup>	44 VA / 43 VA
Nennstrom	4 A

Akku-Typ	Lithium-Ionen-akku
Ladegeräteeingang:	100 V AC – 240 V AC, 50 Hz – 60 Hz
Ladegeräteausgang	24 V DC, 135 mA, 3 VA
Ladezeit ab Warnung vor niedriger Spannung	etwa 4,5 h
Schutzart (Antrieb)	IPX6W <sup>2)</sup>
Schutzart (Handbedienteil)	IP67 <sup>3)</sup>
Schutzart (Produkt insgesamt)	IPX6 <sup>4)</sup>
Schallleistungspegel	52 dB(A)

Der Verstellmotor schaltet sich bei Überlastung des Produkts nicht ab. Um Schäden zu vermeiden, darf der Badewannenlifter nicht überlastet werden.

<sup>1)</sup> Die Angabe „11,1 V DC/44 VA“ gilt für Handbedienteile mit 11,1 V Betriebsspannung (siehe Angabe an der Unterseite des Handbedienteils).

Die Angabe „10,95 V DC/44 VA“ gilt für Handbedienteile mit 10,95 V Betriebsspannung (siehe Angabe an der Unterseite des Handbedienteils).

Die Angabe „10,8 V DC/43 VA“ gilt für Handbedienteile mit 10,8 V Betriebsspannung (siehe Angabe an der Unterseite des Handbedienteils).

<sup>2)</sup> Schutz gegen das Eindringen von Wasser bei starkem Strahlwasser, geprüft bei festgelegten Wetterbedingungen.

<sup>3)</sup> Staubdicht und geschützt gegen das Eindringen von Wasser bei zeitweiligem Untertauchen.

<sup>4)</sup> Schutz gegen das Eindringen von Wasser bei starkem Strahlwasser.

### 10.3 Materialien

Rückenlehne/Sitzplatte	PPGF
Abdeckungen	PVC



Alle verwendeten Materialien sind korrosionsbeständig und latexfrei.

### 10.4 Umweltparameter

Betriebsbedingungen	
Umgebungstemperatur	10 - 40 °C
Relative Luftfeuchtigkeit	15 % - 93 %, nicht kondensierend
Luftdruck	795 - 1060 hPa
Lager- und Transportbedingungen	
Umgebungstemperatur	0 - 40 °C
Relative Luftfeuchtigkeit	30 % - 75 %, nicht kondensierend
Luftdruck	795 - 1060 hPa



---

# Sommaire

---

Ce manuel DOIT être remis à l'utilisateur du produit. AVANT d'utiliser ce produit, vous DEVEZ lire ce manuel et le conserver pour pouvoir vous y reporter ultérieurement.

<b>1 Généralités</b>	<b>62</b>
1.1 Introduction	62
1.2 Symboles figurant dans ce document	62
1.2.1 Autres symboles	63
1.3 Garantie	63
1.4 Conformité	63
1.4.1 Normes spécifiques au produit	63
1.5 Durée de vie	63
1.6 Limitation de responsabilité	64
<b>2 Sécurité</b>	<b>65</b>
2.1 Informations de sécurité	65
2.2 Informations de sécurité relatives à la compatibilité électromagnétique	66
2.3 Étiquettes et symboles figurant sur le produit	68
<b>3 Présentation du produit</b>	<b>69</b>
3.1 Utilisation prévue	69
3.2 Pièces principales du produit	69
<b>4 Réglages (Mise en service)</b>	<b>71</b>
4.1 Informations de sécurité	71
4.2 Montage de l'élévateur de bain	71
4.3 Charge de la batterie	75
<b>5 Utilisation</b>	<b>77</b>
5.1 Informations de sécurité	77
5.2 Contrôle de l'élévateur de bain	77
5.3 Prendre un bain	79
<b>6 Transport</b>	<b>81</b>
6.1 Informations de sécurité	81

6.2 Démontage de l'élévateur de bain	81
<b>7 Maintenance</b>	<b>83</b>
7.1 Entretien et inspection	83
7.2 Nettoyage et désinfection	83
7.2.1 Informations de sécurité générales	83
7.2.2 Fréquence de nettoyage	84
7.2.3 Instructions de nettoyage	84
7.2.4 Instructions de désinfection	85
<b>8 Après l'utilisation</b>	<b>86</b>
8.1 Stockage	86
8.2 Reconditionnement	86
8.3 Mise au rebut	86
<b>9 Dépannage</b>	<b>88</b>
9.1 Identification et résolution des pannes	88
<b>10 Caractéristiques Techniques</b>	<b>90</b>
10.1 Dimensions et poids	90
10.2 Données électroniques	90
10.3 Matériaux	91
10.4 Paramètres environnementaux	91

# 1 Généralités

## 1.1 Introduction

Le présent manuel d'utilisation contient des informations importantes sur la manipulation du produit. Pour garantir une utilisation en toute sécurité du produit, lisez attentivement le manuel d'utilisation et respectez les instructions de sécurité.

Utilisez ce produit uniquement si vous avez lu et compris ce manuel. Consultez un professionnel de la santé qui connaît votre état de santé et clarifiez toute question concernant l'utilisation correcte et le réglage nécessaire auprès du professionnel de santé.

Veillez noter que certaines sections du présent document peuvent ne pas s'appliquer à votre produit, étant donné que le document concerne tous les modèles disponibles (à la date d'impression). Sauf mention contraire, chaque section de ce document se rapporte à tous les modèles du produit.

Les modèles et les configurations disponibles dans votre pays sont répertoriés dans les documents de vente spécifiques au pays.

Invacare se réserve le droit de modifier les caractéristiques des produits sans préavis.

Avant de lire ce document, assurez-vous de disposer de la version la plus récente. Cette version est disponible au format PDF sur le site Internet d'Invacare.

Si la taille des caractères de la version imprimée du document vous semble trop difficile à lire, vous pouvez télécharger la version PDF sur le site Internet. Vous pourrez

alors ajuster la taille des caractères à l'écran pour améliorer votre confort visuel.

Pour obtenir plus d'informations sur le produit, comme les avis de sécurité ou les rappels du produit, contactez votre distributeur Invacare. Reportez-vous aux adresses indiquées à la fin du présent document.

En cas d'incident grave avec le produit, vous devez en informer le fabricant et l'autorité compétente de votre pays.

## 1.2 Symboles figurant dans ce document

Les symboles et mots d'avertissement utilisés dans le présent document s'appliquent aux risques ou aux pratiques dangereuses qui pourraient provoquer des blessures ou des dommages matériels. Reportez-vous aux informations ci-dessous pour la définition des symboles d'avertissement.



### AVERTISSEMENT

Indique une situation dangereuse qui, si elle n'est pas évitée, est susceptible de provoquer des blessures graves, voire mortelles.



### ATTENTION

Indique une situation dangereuse qui, si elle n'est pas évitée, est susceptible de provoquer des blessures mineures ou légères.

**!** AVIS  
Indique une situation dangereuse qui, si elle n'est pas évitée, est susceptible de provoquer des dommages matériels.

**i** Conseils et recommandations  
Donne des conseils, recommandations et informations utiles pour une utilisation efficace et sans souci.

### 1.2.1 Autres symboles

**UKRP** Personne responsable au RU  
Indique si un produit n'est pas fabriqué au Royaume-Uni.



Triman  
Indique les règles de recyclage et de tri (applicable uniquement à la France).

## 1.3 Garantie

Nous fournissons une garantie fabricant pour le produit, conformément à nos conditions générales de vente en vigueur dans les différents pays. Les réclamations au titre de la garantie ne peuvent être adressées qu'au fournisseur auprès duquel l'appareil a été obtenu.

Les housses et les ventouses ne sont pas couvertes par la garantie.

## 1.4 Conformité

La qualité est un élément fondamental du fonctionnement de notre entreprise, qui travaille conformément à la norme ISO 13485.

1574469-F

Ce produit porte le label CE et est conforme à la Réglementation sur les dispositifs médicaux de classe I 2017/745.

Ce produit porte le label UKCA et est conforme à la loi du Royaume-Uni « Part II UK MDR 2002 » (telle qu'amendée) Classe I.

Nous nous efforçons en permanence de réduire au minimum notre impact sur l'environnement, à l'échelle locale et mondiale.

Nous n'utilisons que des matériaux et composants conformes au règlement REACH.

Nous respectons la législation en vigueur en matière d'environnement, notamment, les directives DEEE et RoHS.

### 1.4.1 Normes spécifiques au produit

Ce produit respecte les obligations de la norme ISO 10535 (Produits d'assistance pour personnes en situation de handicap).

Pour des informations complémentaires sur les normes et réglementations locales, contactez un représentant Invacare.

## 1.5 Durée de vie

La durée de vie attendue de ce produit est de cinq ans lorsqu'il est utilisé quotidiennement et dans le respect des consignes de sécurité, des intervalles de maintenance et avec une utilisation correcte, comme indiqué dans le présent manuel. La durée de vie effective peut varier en fonction de la fréquence et de l'intensité de l'utilisation.

## 1.6 Limitation de responsabilité

Invacare décline toute responsabilité en cas de dommage lié à :

- un non respect du manuel d'utilisation,
- une utilisation incorrecte,
- l'usure normale,
- un assemblage ou montage incorrect par l'acheteur ou des tiers,
- des modifications techniques,
- des modifications non autorisées et/ou l'utilisation de pièces de rechange inadaptées.



## 2 Sécurité

### 2.1 Informations de sécurité



#### AVERTISSEMENT !

##### Risque de dommage matériel ou de blessure grave

Une utilisation inadéquate de ce produit est susceptible d'entraîner des blessures ou des dommages matériels.

- Si vous ne comprenez pas les avertissements, mises en garde ou instructions, contactez un professionnel de santé ou un fournisseur avant d'essayer d'utiliser cet équipement.
- N'utilisez pas ce produit ni aucun équipement disponible en option sans avoir lu intégralement et compris ces instructions et toute autre documentation supplémentaire.



#### AVERTISSEMENT !

##### Risque de blessure

- N'utilisez pas le produit s'il est défectueux.
- En cas de dysfonctionnement, contactez immédiatement votre fournisseur.
- Ne pas procéder à aucune modification non autorisée et ne pas transformer le produit.
- Ne vous tenez jamais debout sur l'élévateur pour rentrer dans la baignoire ou en sortir, ne l'utilisez pas pour monter ou descendre, ni comme plate-forme de levage ou tout autre usage similaire.



#### AVERTISSEMENT !

- Avant la première utilisation, nettoyez soigneusement le produit.
- Avant chaque utilisation, assurez-vous que le produit n'est pas endommagé et qu'il est correctement monté.



#### ATTENTION !

##### Risque de blessure

Des pièces non adaptées ou qui ne sont pas d'origine peuvent affecter le fonctionnement et la sécurité du produit.

- Utilisez uniquement les pièces d'origine du produit utilisé.
- En raison de différences régionales, vous devez vous reporter au site Internet ou au catalogue Invacare de votre pays pour connaître les options disponibles ou contacter votre distributeur Invacare.

## 2.2 Informations de sécurité relatives à la compatibilité électromagnétique



### AVERTISSEMENT !

#### Risque de dysfonctionnement

Des interférences électromagnétiques peuvent affecter le fonctionnement.

- Lorsque vous l'utilisez, ce produit ne doit pas être placé à côté ou sur un autre équipement électrique. Si cela est nécessaire, il est indispensable d'inspecter rigoureusement ce produit et l'autre équipement afin de vérifier qu'ils fonctionnent normalement.



### AVERTISSEMENT !

#### Risque de dysfonctionnement dû aux interférences électromagnétiques

Des interférences électromagnétiques peuvent se produire entre ce produit et d'autres équipements électriques et affecter les fonctions de réglage électrique de ce produit. Pour prévenir, réduire ou éliminer ces interférences électromagnétiques :

- Veillez à utiliser uniquement des câbles, accessoires et pièces de rechange d'origine, afin de ne pas accroître les émissions électromagnétiques, ni réduire l'immunité électromagnétique de ce produit.
- N'utilisez aucun équipement de communication portable à fréquences radioélectriques (RF) à moins de 30 cm d'une partie quelconque de ce produit (câbles compris).
- N'utilisez pas ce produit à proximité d'un équipement chirurgical actif à haute fréquence, ni d'une salle d'imagerie à résonance magnétique avec blindage RF, où l'intensité des perturbations électromagnétiques est élevée.
- En cas de perturbations, augmentez la distance entre ce produit et l'autre équipement ou mettez ce dernier hors tension.



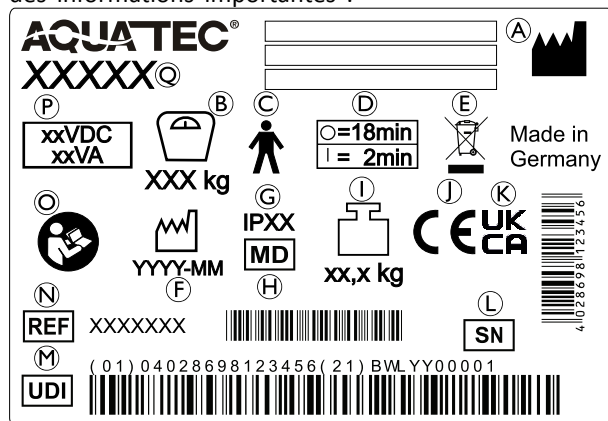
Nous n'avons connaissance d'aucun risque en cas d'utilisation de produits comme un stimulateur cardiaque.

Les directives et déclarations du fabricant relatives aux émissions et à l'immunité électromagnétiques sont disponibles sur demande auprès d'Invacare dans votre pays.


## 2.3 Étiquettes et symboles figurant sur le produit

### Autocollant d'identification

L'autocollant d'identification (imprimé en bleu) comprend des informations importantes :



- Ⓒ Type de protection
- Ⓓ Dispositif médical
- Ⓔ Poids du produit
- Ⓕ Conformité européenne
- Ⓖ Conformité pour le Royaume-Uni évaluée
- Ⓗ Numéro de série
- Ⓜ Identificateur unique de dispositif
- Ⓝ Numéro de référence
- Ⓞ Consultez le manuel d'utilisation
- Ⓟ Tension/puissance nominale, reportez-vous à 10 *Caractéristiques Techniques*, page 90
- Ⓠ Désignation du produit

 L'autocollant d'identification se trouve à l'arrière du dossier.

### Autres étiquettes figurant sur le produit



L'étiquette (symbole blanc sur fond bleu) indique la position où l'utilisateur doit appuyer sur le dossier vers le bas pour le déplier, reportez-vous au point 4 *Réglages (Mise en service)*, page 71.

- Ⓐ Nom et adresse du fabricant
- Ⓑ Poids maximal de l'utilisateur
- Ⓒ Partie appliquée de type B
- Ⓓ Interval d'utilisation (le fonctionnement continu du moteur est interdit) : utilisation continue de 2 minutes maximum suivie par une interruption de 18 minutes
- Ⓔ Conformité DEEE
- Ⓕ Date de fabrication

## 3 Présentation du produit

### 3.1 Utilisation prévue

Les systèmes Aquatec ORCA, ORCA F et ORCA XL sont des élévateurs de bain alimentés par batterie, qui fournissent une aide pour entrer ou sortir d'une baignoire.

Ils se composent d'une plaque d'assise (avec rabats latéraux intégrés) à surface antidérapante et d'une télécommande pour faire monter ou descendre le siège. Les modèles ORCA et ORCA XL sont équipés d'un dossier rigide qui peut être abaissé. Le modèle ORCA F dispose d'un dossier fixe. Plusieurs composants comme les housses d'assise et de dossier sont disponibles en option.

#### Utilisateurs prévus

Les utilisateurs sont des personnes à mobilité réduite ou limitée. Sans l'aide d'une tierce-personne, les utilisateurs doivent être en mesure de garder leur équilibre.

#### Indications

- Mobilité réduite ou limitée (jambes et/ou hanches, par ex.) ou
- Problèmes d'équilibre pour se lever ou marcher en raison d'un handicap transitoire ou permanent.

Il n'existe aucune contre-indication connue, lorsque le produit est utilisé comme prévu. Pour connaître le poids maximal autorisé de l'utilisateur, reportez-vous aux *10 Caractéristiques Techniques, page 90*.

### 3.2 Pièces principales du produit

Les composants suivants sont fournis à la livraison :

1574469-F

### Télécommande et chargeur

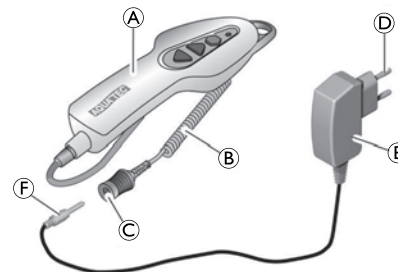


Fig. 3-1

Ⓐ	Télécommande avec batterie	Ⓓ	Fiche secteur
Ⓑ	Câble spiralé	Ⓔ	Chargeur
Ⓒ	Prise femelle lack	Ⓕ	Fiche jack

## Siège

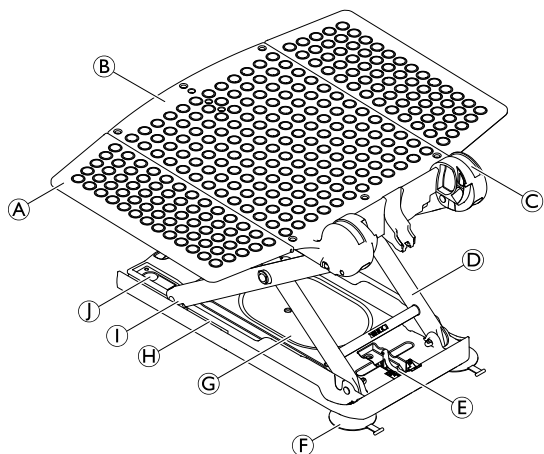


Fig. 3-2

(A)	Rabat latéral	(F)	Ventouses arrière (à filetage)
(B)	Plaque d'assise	(G)	Base
(C)	Charnière du dossier	(H)	Rail pour guides coulissants
(D)	Croisillons de levage	(I)	Guide coulissant
(E)	Mécanisme de retenue du pied de la tige de vérin	(J)	Ventouses avant (une languette à tête)

## Dossier

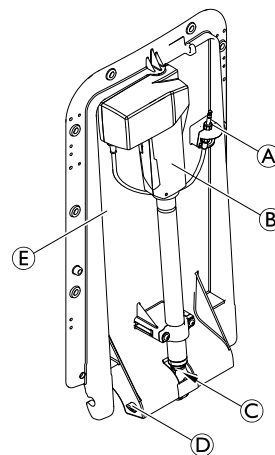


Fig. 3-3

(A)	Fiche jack	(D)	Goupille de verrouillage
(B)	Vérin	(E)	Plaque, dossier
(C)	Pied de la tige de vérin		

## 4 Réglages (Mise en service)

### 4.1 Informations de sécurité



#### Risque de dommage matériel

- Vérifiez que les pièces dans leur ensemble ne présentent pas de dommages causés pendant le transport et avant utilisation. Contactez votre fournisseur le cas échéant.
- Lors du montage, assurez-vous que les pièces sont correctement positionnées les unes par rapport aux autres.
- Il est conseillé de nettoyer les housses avant la première utilisation. Reportez-vous à la rubrique 7.2 *Nettoyage et désinfection*, page 83.

### 4.2 Montage de l'élévateur de bain



#### AVERTISSEMENT !

#### Risque de glissement

- L'élévateur de bain risque de glisser si les ventouses sont mal fixées.
- Nettoyez la baignoire et les ventouses à l'aide d'un chiffon humide avant de mettre en place l'élévateur de bain.
  - Ne modifiez pas la position de l'élévateur de bain dans la baignoire une fois l'installation terminée.



#### AVERTISSEMENT !

#### Risque de blessure et de dommage !

- Installez l'élévateur de bain uniquement dans des baignoires conformes aux spécifications du tableau suivant.
- Si un trop-plein ou un bouton latéral est présent dans la baignoire, utilisez les rabats latéraux spéciaux disponibles en option.

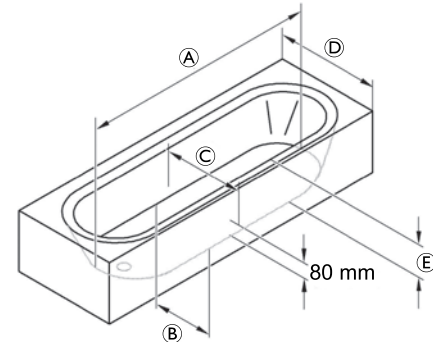


Fig. 4-1

(A)	Longueur de la baignoire, fond	≥ 800 mm
(B)	Largeur de la baignoire, fond (intérieur)	≥ 280 mm
(C)	Largeur de la baignoire, à 80 mm de haut (intérieur)	≥ 430 mm
(D)	Largeur de la baignoire (externe)	700 - 740 mm <sup>1)</sup>
(E)	Hauteur de la baignoire (intérieur)	≤ 420 mm <sup>2)</sup>

- 1) 580 à 690 mm ou 750 à 1000 mm avec rabats latéraux spéciaux (en option)
- 2) (avec adaptateur de hauteur, + 60 mm max.)

**!** **Risque de dommage matériel**

- Vérifiez si les ventouses sont installées correctement.
- Assurez-vous que la batterie de la télécommande est chargée.
- Lorsque vous soulevez les composants de l'élévateur de bain, n'oubliez pas d'évaluer correctement les poids, reportez-vous à la rubrique *10.1 Dimensions et poids, page 90*.
- Si la baignoire est équipée de poignées internes, utilisez les écarteurs de rabats latéraux disponibles en option.

1.

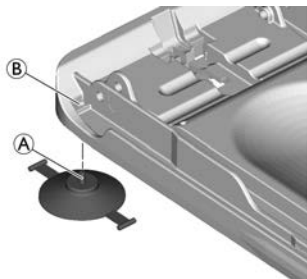


Fig. 4-2

Placez la ventouse arrière avec le boulon fileté (A) dans l'insert fileté (B) et vissez-la. Vissez la ventouse jusqu'à

ce que les languettes de la ventouse soient orientées comme sur l'illustration.

2.

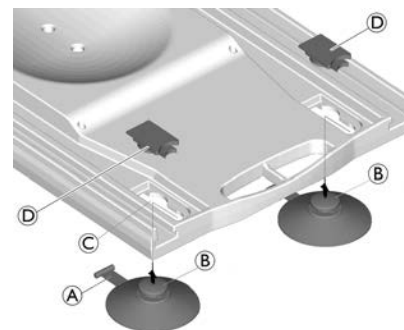


Fig. 4-3

Faites passer la languette (A) à travers l'alésage du trou de serrure (C) et placez-la dans l'évidement correspondant. Faites passer la tête de la ventouse (B) par l'alésage (C) et tirez la ventouse vers l'avant. Fixez la ventouse avec le clips rouge (D).



3.

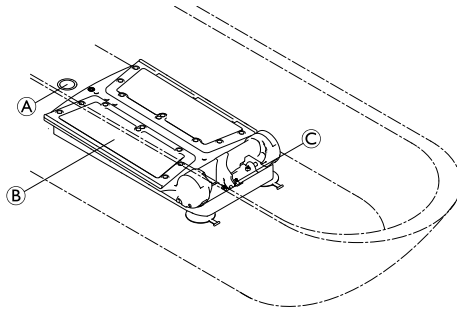


Fig. 4-4

Placez l'assise **B** au fond de la baignoire vide. Assurez-vous que le mécanisme de retenue du pied de la tige de vérin **C** est dirigé vers l'extrémité de la baignoire opposée à la bonde **A**.

4.

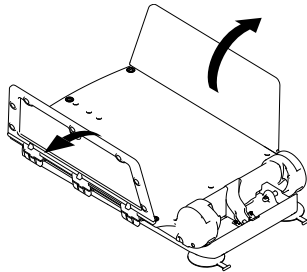


Fig. 4-5

Dépliez les rabats latéraux de l'assise vers l'extérieur.

5.

**AVIS !**

– Assurez-vous que les rabats latéraux sont dépliés vers l'extérieur avant de placer le dossier sur l'assise.

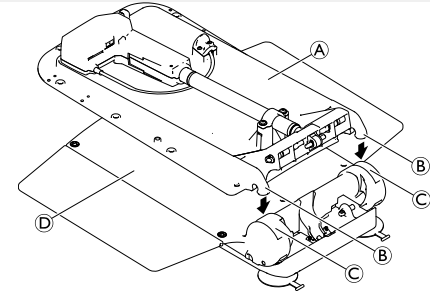


Fig. 4-6

Placez le dossier **A** (sans la télécommande) sur le siège afin que les crochets **B** du dossier s'adaptent sur les charnières **C** de la plaque d'assise **D**.

6.



### Risque de dommage matériel

Le produit peut être endommagé en cas de glissement du pied de la tige de vérin.

- Avant de rabattre le dossier, assurez-vous que la tige de vérin est entièrement rentrée et que le pied de la tige de vérin est à l'horizontale et non inclinée.
- Après avoir déplié le dossier, assurez-vous que le pied de la tige de vérin se trouve dans son logement.

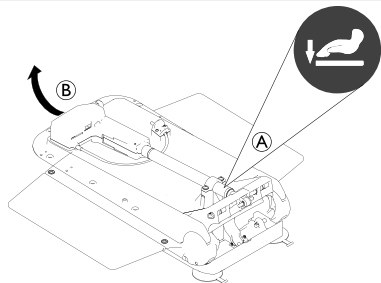


Fig. 4-7

Poussez vers le bas le dossier sur la plaque d'assise au niveau de la position indiquée sur l'étiquette A avec une main pour enclencher les crochets dans les charnières.

7. Tout en poussant légèrement le dossier vers le bas comme indiqué à l'étape 6, tenez le dossier au centre de la partie tête B et redressez avec précaution le dossier en position finale.

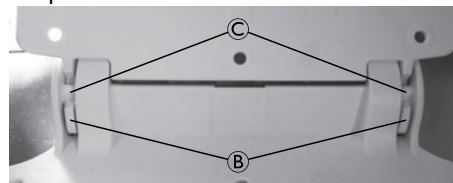


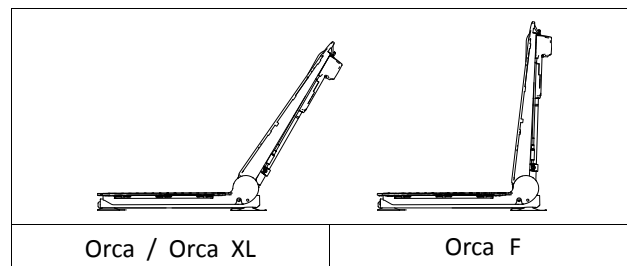
Fig. 4-8



### Risque de dommage matériel

Le produit peut être endommagé si le dossier n'est pas correctement monté.

- Assurez-vous que les deux crochets B du dossier s'engagent dans les charnières C de la plaque d'assise.
- Vérifiez que le dossier est rabattu en position finale sans exercer de force et de résistance notable. La position finale est indiquée dans le schéma ci-après.



8.

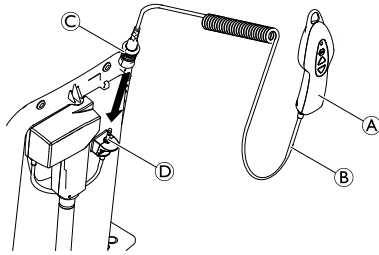


Fig. 4-9

Pour raccorder la télécommande (A) à l'élévateur de bain, branchez la prise femelle jack avec le manchon de déverrouillage (C) sur la fiche jack (D) jusqu'à ce que le mécanisme de blocage s'enclenche de manière audible.



#### Risque de dommage matériel

- Veillez à ce que le dossier ne soit pas en contact avec le bord de la baignoire.
- Si nécessaire, positionnez l'élévateur de bain plus vers l'avant de la baignoire. Pour faire avancer davantage l'élévateur de bain dans la baignoire, abaissez l'élévateur de bain jusqu'au fond, desserrez les ventouses, puis déplacez l'élévateur de bain.

### 4.3 Charge de la batterie

Il n'est pas possible d'utiliser l'élévateur de bain pendant le chargement de la batterie.



#### AVERTISSEMENT !

##### Risque de choc électrique

- Rechargez uniquement la batterie dans des pièces sèches à température ambiante (de 15 °C à 25 °C) et jamais dans la salle de bain.



##### Risque de dommage matériel

- Ne chargez la batterie de la télécommande qu'avec le chargeur fournit avec la batterie.
- Ne branchez le chargeur sur le secteur que lorsque la télécommande est raccordée au chargeur.
- Vérifiez que les caractéristiques de tension affichées sur le chargeur correspondent à celles du secteur.

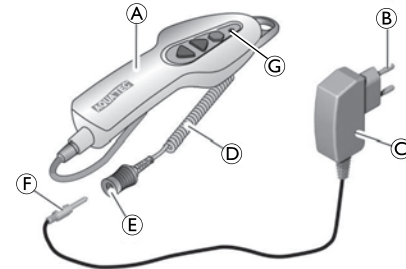


Fig. 4-10

1. Insérez la fiche jack (F) du chargeur (C) dans la prise femelle jack (E) du câble spiralé (D) de la télécommande (A) jusqu'à ce qu'elle s'enclenche.
2. Branchez la fiche secteur (B) du chargeur sur une prise électrique.



Le témoin lumineux rouge © de la télécommande s'éteint lorsque la batterie est suffisamment rechargée pour la prochaine utilisation. Il n'est pas possible de charger excessivement la batterie.

3. Débranchez le chargeur de la prise électrique.
4. Débranchez la fiche jack du chargeur de la prise femelle jack située sur la télécommande.

## 5 Utilisation

### 5.1 Informations de sécurité



#### ATTENTION !

#### Risque de blessures ou de dommages matériels

De l'humidité peut pénétrer dans une télécommande endommagée, risquant d'entraîner un court-circuit et un incendie.

- Effectuez toujours une inspection visuelle du produit afin de déceler toute détérioration avant chaque usage.
- Si le boîtier de la télécommande est endommagé ou présente des fissures, n'utilisez pas celle-ci.



#### ATTENTION !

#### Risque de pincement

- Ne placez pas les doigts dans l'espace entre la plaque d'assise et le dossier.
- Ne passez pas les mains sous la plaque d'assise ni entre les croisillons de levage.



#### Risque de dommage matériel

Surcharger l'élévateur de bain peut endommager l'appareil ou empêcher le levage.

- Ne surchargez pas l'élévateur de bain et respectez les spécifications techniques indiquées sur l'autocollant d'identification ou reportez-vous à la rubrique *10 Caractéristiques Techniques, page 90* relatives à la capacité de charge.



Rechargez régulièrement la batterie, reportez-vous à la rubrique *4.3 Charge de la batterie dans 4 Réglages (Mise en service), page 71*.



Pour de plus amples informations sur les conditions de fonctionnement, reportez-vous à la rubrique *10.4 Paramètres environnementaux, page 91*.


### 5.2 Contrôle de l'élévateur de bain

L'élévateur de bain peut être déplacé dans les directions suivantes :



Fig. 5-1

L'utilisateur ou une tierce-personne contrôle l'élévateur de bain par la télécommande.

-  Avec une batterie complètement chargée, les systèmes ORCA et ORCA F peuvent servir pour cinq bains avec une charge de 140 kg. L'ORCA XL peut assurer quatre bains avec une charge de 170 kg.

- Ⓐ Bouton d'arrêt d'urgence
- Ⓑ Bouton Haut
- Ⓒ Télécommande
- Ⓓ Bouton Bas
- Ⓔ Témoin lumineux

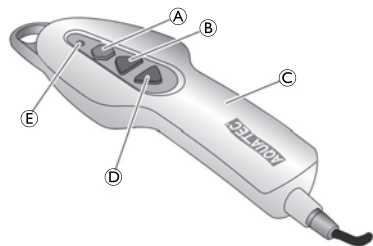



Fig. 5-2


### ! Risque de dommage matériel

- La télécommande peut uniquement être utilisée lorsque le dossier est correctement installé en position verticale.

-  Si la batterie de la télécommande Ⓒ n'est pas suffisamment chargée, le témoin lumineux Ⓔ s'allume en rouge si vous appuyez sur le bouton Bas Ⓓ. La fonction descente de l'élévateur de bain est alors désactivée. Néanmoins, il est toujours possible de monter avec l'élévateur.


1. Rechargez immédiatement la batterie une fois que l'élévateur de bain a été remonté.

### Montée de l'élévateur de bain

-  Si le dossier est abaissé, il doit tout d'abord être redressé en position verticale (sauf sur le modèle ORCA F)

1. Appuyez sur le bouton Haut Ⓑ de la télécommande et maintenez-le enfoncé.  
Le dossier passe en position verticale ou l'assise se déplace vers le haut.
2. Relâchez le bouton Haut de la télécommande.  
L'élévateur de bain s'arrête dans la position actuelle.

### Descente de l'élévateur de bain

-  Si le siège est déjà descendu, le dossier s'abaisse vers l'arrière (sauf sur le modèle ORCA F).

1. Appuyez sur le bouton Bas Ⓓ de la télécommande et maintenez-le enfoncé.  
Le siège se déplace vers le bas ou le dossier s'incline vers l'arrière.
2. Relâchez le bouton Bas de la télécommande.  
L'élévateur de bain s'arrête dans la position actuelle.

### Bouton d'arrêt d'urgence

- !** **Risque de dommage matériel**  
Appuyez uniquement sur le bouton d'arrêt d'urgence Ⓐ si l'appareil ne s'arrête pas immédiatement lorsque le bouton Haut ou Bas est relâché (par ex. si un bouton se bloque). L'élévateur de bain s'arrête immédiatement et le témoin lumineux de la télécommande s'allume.

Si le l'élévateur de bain ne répond plus à une pression du bouton Haut ou Bas après avoir relâché le bouton d'arrêt, l'erreur n'a pas été corrigée. L'appareil n'est pas prêt à être utilisé et doit être réparé, par exemple, en cas de dommage électronique.



Contactez votre fournisseur si nécessaire.

### 5.3 Prendre un bain



#### AVERTISSEMENT !

##### Risque de glissement

L'élévateur de bain risque de glisser si les ventouses sont mal fixées.

- Avant d'utiliser l'élévateur de bain, assurez-vous qu'il est bien positionné et qu'il ne risque pas de basculer.
- Assurez-vous que l'élévateur de bain est mis en place dans une baignoire aux dimensions correctes, reportez-vous à la rubrique 4.2 *Montage de l'élévateur de bain, page 71*).



#### AVERTISSEMENT !

##### Risque de blessure

- Si votre état de santé ne vous permet pas de prendre un bain de votre propre soins, utilisez l'appareil uniquement sous surveillance.
- Si le dispositif est utilisé sans surveillance, un système d'alarme ou un téléphone doit être placé à portée de main en cas de problème imprévu (par ex. dysfonctionnements)



#### Risque de dommage matériel

Les sels et les huiles de bain peuvent nuire au fonctionnement des croisillons de levage.  
– Si vous utilisez des produits de bain de ce type, ne dépassez pas la dose recommandée.



Faites fonctionner l'élévateur une fois à vide jusqu'en haut puis jusqu'en bas (test de fonctionnement).

1. Appuyez sur le bouton Haut et maintenez-le enfoncé jusqu'à ce que le siège se trouve au niveau du bord de la baignoire.
2. Assurez-vous que les rabats latéraux se trouvent au même niveau que l'assise et qu'ils reposent à plat sur le bord de la baignoire (position initiale).
3. Remplissez la baignoire d'eau.
4. Asseyez-vous sur le rabat latéral le plus proche de vous, comme sur une chaise.
5. Glissez vers l'arrière jusqu'à ce que vous vous trouviez au milieu de l'assise.
6. Tournez-vous en position de prendre un bain en levant une jambe puis l'autre par-dessus le bord de la baignoire.
7. Une fois assis correctement, appuyez sur le bouton Bas et maintenez-le enfoncé afin de descendre l'assise dans la baignoire.



Lorsque l'assise a atteint la position la plus basse, il est possible d'incliner le dossier en continuant d'appuyer sur le bouton Bas. Cela vous offre une position plus confortable pour le bain et vous permet de vous plonger plus profondément dans l'eau du bain (pas sur le modèle ORCA F).

8. Appuyez sur le bouton Bas jusqu'à ce que le dossier se trouve à la position souhaitée.

 Pour sortir de la baignoire, procédez en sens inverse.

9. Pour relever le dossier ou l'élévateur de bain, appuyez et maintenez enfoncé le bouton Haut jusqu'à ce que l'assise soit au même niveau que le bord de la baignoire.

- !** **Risque de dommage matériel**
- – Débranchez la télécommande du dispositif lorsque l'élévateur de bain n'est pas utilisé, reportez-vous à la rubrique 6.2 *Démontage de l'élévateur de bain*, page 81, étape 3.



## 6 Transport

### 6.1 Informations de sécurité



#### Risque de dommage matériel

- Consultez les conditions de stockage et de transport figurant au chapitre *10.4 Paramètres environnementaux*, page 91.
- Le dossier n'est pas verrouillé sur l'assise lorsqu'il est plié et il peut se détacher.
- Ne retirez pas les ventouses lorsque vous transportez l'élévateur de bain.



Il est possible de démonter la base avec la plaque d'assise et le dossier pour le transport.

### 6.2 Démontage de l'élévateur de bain

1. Laissez l'eau s'écouler de la baignoire.
2. Faire descendre l'élévateur de bain au moyen du bouton Bas jusqu'à ce que le dossier s'arrête en position inférieure, reportez-vous à la rubrique *5.2 Contrôle de l'élévateur de bain*, page 77.
3. Retirez la prise femelle jack du câble spiralé de la télécommande en poussant le manchon de déverrouillage vers le haut pour le retirer de la fiche jack.

4.

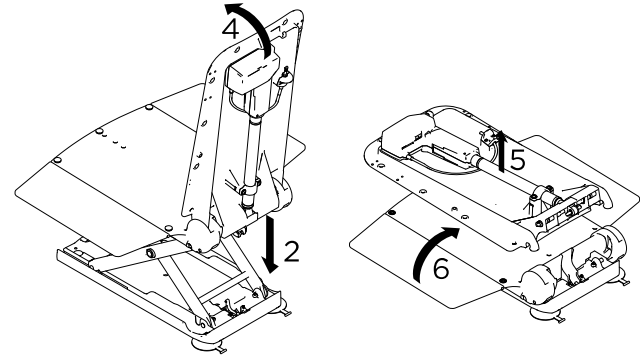


Fig. 6-1

Maintenez le dossier au niveau de la partie tête et pliez lentement le dossier vers l'avant en position finale.



#### Risque de dommage matériel

- Ne pliez pas le dossier si de l'eau se trouve dans la baignoire.
  - Avant de plier le dossier, assurez-vous qu'il est complètement en position abaissée.
  - Lorsque vous repliez le dossier, veillez à ce que le câble spiralé de la télécommande ne soit pas bloqué.
5. Retirez le dossier de l'assise et hors de la baignoire.
  6. Pliez les rabats latéraux de l'assise vers l'intérieur.

7.

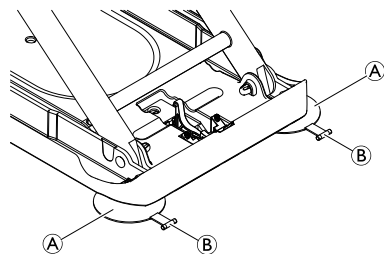



Fig. 6-2

Dégagez les ventouses arrière ① tout en soulevant les languettes saillantes ②.

8. Soulevez légèrement l'arrière de l'assise afin de dégager les ventouses avant.

 Si les adaptateurs de hauteur ont été installés (facultatifs), vous devez également tirer sur les languettes des ventouses avant pour les détacher.

9. Sortez la base avec la plaque d'assise de la baignoire.

## 7 Maintenance

### 7.1 Entretien et inspection

Si vous observez les instructions de nettoyage et les consignes de sécurité fournies, aucune intervention de maintenance ne sera nécessaire sur le produit.



#### Risque de dommage matériel

– La télécommande ne peut être ouverte que par le fabricant de l'élévateur de bain.

1. Vérifiez régulièrement le produit afin de vous assurer qu'il n'est pas endommagé et qu'il est monté correctement.
2. En cas de détérioration ou de réparation éventuellement nécessaire, contactez immédiatement votre revendeur.
3. Un fournisseur agréé doit vérifier l'élévateur de bain avant chaque réutilisation. Nous recommandons de vérifier l'élévateur de bain après 24 mois au plus tard (conformément à la norme DIN EN ISO 10535).
4. Si l'élévateur de bain n'est pas utilisé pendant une longue durée, chargez complètement la batterie puis levez et abaissez l'élévateur trois fois sans charge. Répétez l'opération tous les 3 mois. Ceci permet de préserver la durée de vie de la batterie.

## 7.2 Nettoyage et désinfection

### 7.2.1 Informations de sécurité générales



#### ATTENTION !

##### Risque de contamination

– Prenez toutes les précautions nécessaires pour vous protéger et portez un équipement de protection adéquat.



#### AVIS !

Des méthodes ou des liquides inappropriés risqueraient de blesser quelqu'un ou d'endommager le produit.

- Tous les désinfectants et agents de nettoyage utilisés doivent être efficaces, compatibles entre eux et protéger les surfaces qu'ils sont censés nettoyer.
- N'utilisez jamais d'agents de nettoyage corrosifs (alcalins, acides, etc.) ou abrasifs. Nous recommandons l'utilisation d'un produit d'entretien ménager tel que le liquide vaisselle.
- N'utilisez jamais de solvant (diluants cellulose, acétone, etc.) qui modifie la structure du plastique ou dissout les étiquettes apposées.



Pour le nettoyage et la désinfection en environnement clinique ou de soins à long terme, suivez les procédures internes.

## 7.2.2 Fréquence de nettoyage



### AVIS !

Une désinfection et un nettoyage réguliers garantissent un bon fonctionnement, augmentent la durée de vie et permettent d'éviter toute contamination.

Nettoyez et désinfectez le produit :

- régulièrement lors de son utilisation,
- avant et après toute procédure d'entretien,
- lorsqu'il a été en contact avec des fluides corporels, quels qu'ils soient,
- avant de l'utiliser pour un nouvel utilisateur.

## 7.2.3 Instructions de nettoyage

### Nettoyage de l'assise et du dossier



### ATTENTION !

#### Risque de pincement

- Soyez spécialement prudent lorsque vous nettoyez la zone des croisillons de levage, car ils risquent de bouger et de provoquer des blessures.



#### Risque de dommage matériel

- N'utilisez jamais de nettoyeur à haute pression pour nettoyer le dossier.

1. Lavez le produit avec un chiffon ou une brosse.
2. Rincez le produit à l'eau chaude.

3. Essuyez le produit avec un chiffon.
4. Graissez légèrement les rails de guides coulissants (reportez-vous à la fig. 3.2, repère ⊕ au chapitre 3.2 *Pièces principales du produit, page 69*) à l'aide de vaseline.

### Nettoyage des housses (facultatif)



Il est conseillé de nettoyer les housses avant la première utilisation. Par mesure d'hygiène, nous vous recommandons de nettoyer les housses régulièrement et de les changer tous les ans.

1. Débouchez les housses de siège et la housse de dossier.
2. Lavez les housses en machine à laver à une température maximale de 60 °C et avec un détergent doux.



#### Risque de dommage matériel

- Le lavage à des températures élevées peut endommager la housse ou provoquer son rétrécissement.
- Ne séchez pas les housses dans un sèche-linge.

## Nettoyage du chargeur et de la télécommande



### AVERTISSEMENT !

#### Risque de choc électrique

- Débranchez toujours la fiche de la prise électrique avant de nettoyer le chargeur.
- N'insérez jamais d'objets réalisés en matériau conducteur (par ex. aiguilles à tricoter, fiches métalliques) dans la prise femelle jack de la télécommande.
- N'utilisez jamais de chiffon humide ou trempé pour nettoyer le chargeur.



### ATTENTION !

#### Risque de décharge électrique et de détérioration du produit

- Éteignez l'appareil et débranchez-le du secteur, le cas échéant.
- Lors du nettoyage de composants électroniques, tenez compte de leur classe de protection concernant la pénétration d'eau.
- Assurez-vous qu'il n'y ait pas d'éclaboussures d'eau sur la fiche ou la prise secteur.
- Ne touchez pas la prise électrique avec les mains mouillées.

1. Nettoyez le chargeur avec un chiffon sec.
2. Nettoyez la télécommande avec un chiffon humide.
3. Séchez la télécommande avec un chiffon.

## 7.2.4 Instructions de désinfection

Méthode : suivez les consignes d'application du désinfectant utilisé et essuyez toutes les surfaces accessibles pour les désinfecter.

Désinfectant : désinfectant ordinaire à usage domestique.

Séchage : Laissez sécher le produit à l'air.

## 8 Après l'utilisation

### 8.1 Stockage



#### Risque de dommage matériel

- N'entreposez pas le produit près de sources de chaleur.
- Ne stockez pas la batterie près de flammes nues.
- Conservez le produit à l'abri de la lumière directe du soleil.
- Consultez les conditions de stockage et de transport figurant à la section *10.4 Paramètres environnementaux, page 91*.

### 8.2 Reconditionnement

Ce produit peut être réutilisé. Pour reconditionner le produit en vue de son utilisation par un nouvel utilisateur, il convient d'effectuer les opérations suivantes :

- Examen
- Nettoyage et désinfection

Pour plus d'informations, reportez-vous à la section *7 Maintenance, page 83* et au manuel de maintenance de ce produit.

Assurez-vous de remettre le manuel d'utilisation avec le produit.

Si un dommage ou un dysfonctionnement est détecté, le produit ne doit pas être réutilisé.

### 8.3 Mise au rebut



#### AVERTISSEMENT !

#### Risque pour l'environnement

L'appareil contient des batteries.

Ce produit peut contenir des substances nuisibles à l'environnement s'il est jeté dans un endroit (décharge) non conforme à la législation en vigueur.

- NE JETEZ PAS les batteries avec les déchets ménagers.
- NE jetez PAS les batteries au feu.
- Les batteries DOIVENT être déposées dans un site prévu à cet effet. Leur élimination est exigée par la loi et gratuite.
- Seules des batteries déchargées peuvent être mises au rebut.
- Couvrez les bornes des batteries au lithium avant leur mise au rebut.
- Pour plus d'informations sur le type de batterie, reportez-vous à l'étiquette de la batterie ou au chapitre *10 Caractéristiques Techniques, page 90*

Préservez l'environnement en faisant recycler ce produit en fin de vie dans un centre de recyclage.

Désassemblez le produit et ses composants afin que les différents matériaux puissent être séparés et recyclés individuellement.

La mise au rebut et le recyclage des produits usagés et de l'emballage doivent respecter la législation et les règlements relatifs à la gestion des déchets de chaque pays. Contactez

vosre organisme local de traitement des déchets pour plus d'informations.

## 9 Dépannage

### 9.1 Identification et résolution des pannes



Le tableau suivant fournit des informations sur les défaillances et leurs causes possibles. Si les solutions proposées ne permettent pas de résoudre le problème, veuillez contacter directement votre fournisseur.

Défaillance	Cause possible	Solution
Le vérin ne fait aucun bruit / L'élévateur ne bouge pas.	La prise femelle jack de la télécommande n'est pas branchée correctement.	Branchez la prise femelle jack, → 4.2 Montage de l'élévateur de bain, page 71.
	La batterie est déchargée.	Rechargez entièrement la batterie, → 4.3 Charge de la batterie, page 75.
	Les contacts sont sales.	Nettoyez la fiche jack située sur le dossier.
	Le câble est écrasé / endommagé.	Remplacez la télécommande, → contactez votre fournisseur.
L'élévateur peut monter mais ne peut pas descendre.	La protection de basse tension est activée.	Rechargez entièrement la batterie, → 4.3 Charge de la batterie, page 75.
L'élévateur s'arrête en cours de levage.	La charge est trop importante.	Respectez la charge maximale, → 10.1 Dimensions et poids, page 90.
L'élévateur de bain n'adhère pas correctement à la baignoire.	Les ventouses sont vieilles ou endommagées.	Remplacez les ventouses, → contactez votre fournisseur.
La batterie ne se recharge pas et le témoin rouge clignote pendant le chargement.	Problème d'ordre électronique	Faites vérifier la télécommande par votre fournisseur agréé.
	Batterie défectueuse.	Remplacez la télécommande, → contactez votre fournisseur.



<b>Défaillance</b>	<b>Cause possible</b>	<b>Solution</b>
	Chargeur défectueux.	Faites vérifier le chargeur par votre fournisseur agréé
	La batterie est trop chaude.	Tenez la télécommande à l'écart des sources de chaleur. Le chargement se poursuit dès que la température redescend au seuil acceptable.

## 10 Caractéristiques Techniques

### 10.1 Dimensions et poids

Longueur totale en position la plus basse	920 mm
Longueur totale en position la plus haute	650 mm
Hauteur totale en position la plus haute	1075 mm
Longueur de l'assise	590 mm
Largeur de l'assise avec rabats latéraux dépliés vers l'extérieur	715 mm
Largeur de l'assise avec rabats latéraux repliés vers l'intérieur	390 mm
Hauteur de l'assise en position la plus basse	60 mm
Hauteur de l'assise en position la plus haute	420 mm
Largeur du dossier	360 mm
Angle minimum du dossier	8°
Largeur de la plaque de base	295 mm
Charge maxi (ORCA / ORCA F) Charge maxi (ORCA XL)	140 kg 170 kg
Poids total sans la télécommande (ORCA) (ORCA F) (ORCA XL)	10,8 kg 11,4 kg 11,6 kg
Poids de l'assise (ORCA) (ORCA F) (ORCA XL)	6,6 kg 7,2 kg 7,4 kg

Poids du dossier (ORCA / ORCA F / ORCA XL)	4,2 kg
Poids de la télécommande	0,4 kg
Poids du chargeur	0,1 kg

### 10.2 Données électroniques

Force d'activation des boutons de la télécommande	< 5 N
Tension de fonctionnement de la télécommande <sup>1)</sup>	11,1 V cc /10,95 V cc /10,8 V cc
Puissance d'entrée nominale <sup>1)</sup>	44 VA / 43 VA
Courant nominal	4 A
Type de batterie	ions lithium
Tension d'entrée du chargeur	100 - 240 V ca, 50 - 60 Hz
Tension de sortie du chargeur	24 V cc, 135 mA, 3 VA
Temps de charge à partir de l'avertissement de tension faible	environ 4.5 h
Type de protection, vérin	IP X6 W <sup>2)</sup>
Type de protection, télécommande	IP 67 <sup>3)</sup>

Type de protection, produit entier	IP X6 <sup>4)</sup>
Niveau sonore	52 dB(A)

Le vérin ne s'arrête pas en cas de surcharge. Ne surchargez pas l'élévateur de bain pour éviter d'endommager l'appareil.

<sup>1)</sup> 11,1 V cc / 44 VA applicables lorsque vous utilisez les télécommandes d'une tension de 11,1 V, indiquée au dos de la télécommande.

10,95 V cc / 44 VA applicables lorsque vous utilisez les télécommandes d'une tension de 10,95 V, indiquée au dos de la télécommande.

10,8 V cc / 43 VA applicables lorsque vous utilisez les télécommandes d'une tension de 10,8 V, indiquée au dos de la télécommande.

<sup>2)</sup> Protégé contre la pénétration d'eau en cas de jets d'eau puissants, testé dans les conditions météorologiques établies.

<sup>3)</sup> protection contre la poussière et contre l'infiltration d'eau en cas d'immersion temporaire.

<sup>4)</sup> Protégé contre l'infiltration d'eau en cas de jets d'eau importants.

### 10.3 Matériaux

Dossier/plaque d'assise	PPGF
Capots	PVC



Tous les matériaux sont résistants à la corrosion et exempts de latex.

### 10.4 Paramètres environnementaux

Conditions de fonctionnement	
Température ambiante	10 °C - 40 °C
Humidité relative	15 % - 93 %, sans condensation
Pression atmosphérique	795 hPa - 1060 hPa
Conditions de stockage et de transport	
Température ambiante	0 °C - 40 °C
Humidité relative	30 % - 75 %, sans condensation
Pression atmosphérique	795 hPa - 1060 hPa



# Sommario

Il presente manuale deve essere fornito all'utilizzatore del prodotto. PRIMA di utilizzare il prodotto, È NECESSARIO leggere il presente manuale e conservarlo per poterlo consultare in futuro.

<b>1 Generale</b>	<b>94</b>
1.1 Introduzione	94
1.2 Simboli in questo documento	94
1.2.1 Altri simboli	95
1.3 Garanzia	95
1.4 Conformità	95
1.4.1 Standard specifici per il prodotto	95
1.5 Durata	95
1.6 Limiti di responsabilità.	95
<b>2 Sicurezza</b>	<b>97</b>
2.1 Informazioni per la sicurezza	97
2.2 Informazioni per la sicurezza relative alla compatibilità elettromagnetica	97
2.3 Etichette e simboli sul prodotto.	99
<b>3 Panoramica del prodotto</b>	<b>100</b>
3.1 Uso previsto	100
3.2 Componenti principali del prodotto	100
<b>4 Messa in servizio</b>	<b>102</b>
4.1 Informazioni per la sicurezza	102
4.2 Installazione del sollevatore per vasca da bagno.	102
4.3 Batteria in carica	106
<b>5 Uso</b>	<b>108</b>
5.1 Informazioni per la sicurezza	108
5.2 Controllo del sollevatore per vasca da bagno	108
5.3 Utilizzo mentre si fa il bagno	110
<b>6 Trasporto</b>	<b>112</b>
6.1 Informazioni per la sicurezza	112

6.2 Rimozione del sollevatore per vasca da bagno	112
<b>7 Manutenzione</b>	<b>114</b>
7.1 Manutenzione e ispezione	114
7.2 Pulizia e disinfezione	114
7.2.1 Informazioni generali sulla sicurezza	114
7.2.2 Intervalli di pulizia	115
7.2.3 Istruzioni per la pulizia	115
7.2.4 Istruzioni per la disinfezione	116
<b>8 Dopo l'utilizzo</b>	<b>117</b>
8.1 Conservazione	117
8.2 Ricondizionamento	117
8.3 Smaltimento	117
<b>9 Guida alla soluzione dei problemi</b>	<b>118</b>
9.1 Identificazione e riparazione dei guasti.	118
<b>10 Dati Tecnici</b>	<b>120</b>
10.1 Dimensioni e peso	120
10.2 Dati elettronici	120
10.3 Materiali	121
10.4 Parametri ambientali	121

# 1 Generale

## 1.1 Introduzione

Il presente manuale d'uso contiene informazioni importanti sul trattamento del prodotto. Per garantire la sicurezza di utilizzo del prodotto, leggere attentamente il manuale d'uso e seguire le istruzioni di sicurezza.

Utilizzare questo prodotto solo se il presente manuale è stato letto e compreso. Richiedere un ulteriore consiglio da parte di un operatore sanitario che ha familiarità con le proprie condizioni mediche e chiarire tutte le domande riguardanti l'uso corretto e la regolazione necessaria con il personale medico.

Si noti che alcune sezioni contenute nel presente documento potrebbero non riguardare il proprio prodotto, in quanto il presente documento si applica a tutti i modelli disponibili (alla data di stampa). Se non specificato diversamente, ogni sezione del presente documento si riferisce a tutti i modelli del prodotto.

I modelli e le configurazioni disponibili nel proprio paese sono riportati nei documenti di vendita specifici per paese.

Invacare si riserva il diritto di modificare le specifiche del prodotto senza ulteriore preavviso.

Prima di leggere il presente documento, verificare di essere in possesso dell'ultima versione, disponibile in formato PDF sul sito web Invacare.

Se si ritiene che la dimensione dei caratteri nella versione cartacea del documento sia di difficile lettura, è possibile

scaricare dal sito web la versione in formato PDF. Il PDF può essere ingrandito sullo schermo in modo da ottenere una dimensione dei caratteri più facile da leggere.

Per ulteriori informazioni sul prodotto, ad esempio le note sulla sicurezza del prodotto e i richiami di prodotti, si prega di contattare il proprio distributore Invacare. Vedere gli indirizzi alla fine del presente documento.

In caso di incidente grave relativo al prodotto, è necessario informare il produttore e l'autorità competente nel proprio paese.

## 1.2 Simboli in questo documento

In questo documento tutte quelle situazioni non sicure o pericolose che possono portare a lesioni alle persone o danni ai materiali sono evidenziate mediante simboli e avvertimenti. Qui di seguito sono riportate le spiegazioni di tutti i possibili avvertimenti.



### ATTENZIONE

Indica una situazione pericolosa che, se non evitata, potrebbe essere causa di morte o lesioni gravi.



### AVVERTENZA


Indica una situazione pericolosa che, se non evitata, potrebbe essere causa di lesioni minori o leggere.

**!** **AVVISO**  
Indica una situazione pericolosa che, se non evitata, potrebbe essere causa di danni al prodotto.

**i**  
Consigli e raccomandazioni  
Indica consigli, raccomandazioni e informazioni utili per un uso efficace e senza inconvenienti.

### 1.2.1 Altri simboli

**UKRP** Persona responsabile per il Regno Unito  
Indica se un prodotto non è fabbricato nel Regno Unito.

 Logo Triman  
Indica norme relative al riciclaggio e alla raccolta differenziata (solo per la Francia).

## 1.3 Garanzia

Forniamo una garanzia del fabbricante per il prodotto in conformità con i Termini e le condizioni generali di vendita applicabili nei rispettivi Paesi. La garanzia può essere fatta valere solo attraverso il fornitore presso il quale è stato acquistato il prodotto.

I rivestimenti e le ventose ne sono esclusi.

## 1.4 Conformità

La qualità è fondamentale per l'azienda, che opera nel rispetto e nell'ambito della norma ISO 13485.

Il prodotto è dotato di marchio CE, in conformità con la normativa 2017/745 concernente i dispositivi medici della classe I.

Il prodotto è dotato di marchio UKCA, in conformità con la normativa MDR 2002 del Regno Unito Parte II classe I (e successive modifiche).

Lavoriamo costantemente per garantire che l'impatto ambientale dell'azienda a livello locale e globale sia ridotto al minimo.

Garantiamo di utilizzare esclusivamente materiali e componenti conformi alla direttiva REACH.

Rispettiamo le normative ambientali RAEE e RoHS in vigore.

### 1.4.1 Standard specifici per il prodotto

Il prodotto soddisfa i requisiti della norma ISO 10535 (Sollevatori per il trasferimento di persone disabili).

Per ulteriori informazioni sulle norme e sulle disposizioni locali, contattare il rappresentante locale Invacare.

## 1.5 Durata

La durata prevista per questo prodotto è di cinque anni, a condizione che sia utilizzato quotidianamente e in conformità alle istruzioni per la sicurezza, seguendo gli intervalli di manutenzione e le indicazioni per un uso corretto come indicato nel presente manuale. La durata effettiva può variare a seconda della frequenza e dell'intensità d'uso.

## 1.6 Limiti di responsabilità

Invacare non si assume alcuna responsabilità per danni derivanti da:

- Non conformità con il manuale d'uso
- Utilizzo non corretto
- Consumo e usura naturali
- Montaggio o preparazione non corretti da parte dell'acquirente o di terzi
- Modifiche tecniche
- Modifiche non autorizzate e/o utilizzo di pezzi di ricambio non adatti



## 2 Sicurezza

### 2.1 Informazioni per la sicurezza



#### **ATTENZIONE!**

##### **Pericolo di lesioni gravi o danni**

Un uso improprio del prodotto può causare lesioni o danni.

- In presenza di messaggi di attenzione, precauzioni o istruzioni di difficile comprensione, contattare il personale medico professionale o il fornitore prima di iniziare a utilizzare questo prodotto.
- Non utilizzare questo prodotto o qualsiasi apparecchiatura opzionale disponibile senza aver prima letto e compreso completamente queste istruzioni e qualsiasi altro materiale informativo.



#### **ATTENZIONE!**

##### **Pericolo di lesioni**

- Non utilizzare se difettoso.
- In caso di malfunzionamento, contattare immediatamente il fornitore.
- Non apportare modifiche o alterazioni non autorizzate al prodotto.
- Non salire mai in piedi sul sollevatore per vasca da bagno per entrare o uscire dalla vasca da bagno, non usarlo per salire o scendere, come piattaforma di sollevamento né per nessuno scopo simile.



#### **ATTENZIONE!**

- Prima del primo utilizzo, pulire accuratamente il prodotto.
- Prima di ogni utilizzo, controllare che il prodotto non abbia subito danni e assicurarsi che sia ben assemblato.



#### **AVVERTENZA!**

##### **Pericolo di lesioni**

Componenti non originali o non corretti possono alterare il funzionamento e la sicurezza del prodotto.

- Utilizzare esclusivamente componenti originali per il prodotto in uso.
- In considerazione delle differenze regionali, fare riferimento al sito web o al catalogo locale di Invacare per le opzioni disponibili oppure contattare il proprio distributore Invacare.

### 2.2 Informazioni per la sicurezza relative alla compatibilità elettromagnetica



#### **ATTENZIONE!**

##### **Rischio di malfunzionamento**

Le interferenze elettromagnetiche possono causare malfunzionamenti.

- Non utilizzare il presente prodotto vicino o sovrapposto ad altre apparecchiature elettriche. Se tale utilizzo fosse necessario, controllare attentamente che il prodotto e le altre apparecchiature funzionino normalmente.



### **ATTENZIONE!**

#### **Rischio di malfunzionamento dovuto a interferenze elettromagnetiche**

Possono verificarsi interferenze elettromagnetiche tra questo prodotto e altre apparecchiature elettriche, che possono disturbare le funzioni di regolazione elettrica di questo prodotto. Per prevenire, ridurre o eliminare tali interferenze elettromagnetiche:

- Utilizzare esclusivamente cavi, accessori e pezzi di ricambio originali, non aumentare le emissioni elettromagnetiche né ridurre l'immunità elettromagnetica di questo prodotto.
- Non utilizzare apparecchiature di comunicazione in radiofrequenza (RF) portatili a una distanza inferiore a 30 cm da qualsiasi parte di questo prodotto (compresi i cavi).
- Non utilizzare questo prodotto nelle vicinanze di apparecchiature chirurgiche ad alta frequenza in funzione e della stanza schermata da RF di un sistema per la risonanza magnetica in cui l'intensità dei disturbi elettromagnetici sia elevata.
- In presenza di disturbi, aumentare la distanza tra questo prodotto e le altre apparecchiature oppure disinserire queste ultime.

possono essere richieste al rappresentante Invacare nel proprio Paese.



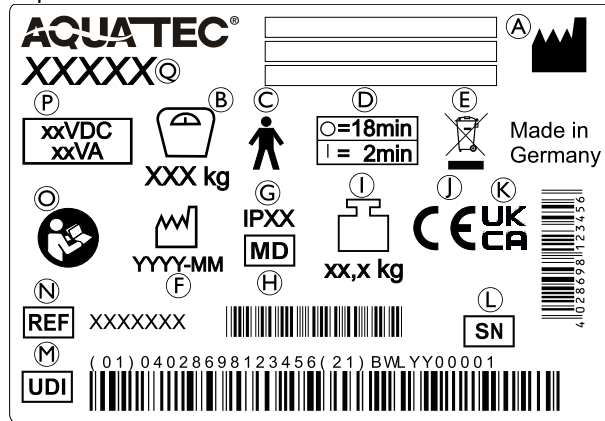
Non sono noti rischi durante l'utilizzo di prodotti come un pacemaker cardiaco.

La guida e la dichiarazione del produttore in materia di emissioni elettromagnetiche e immunità alle emissioni

## 2.3 Etichette e simboli sul prodotto

### Etichetta modello

L'etichetta modello (in blu) riporta anche informazioni importanti:



- (A) Produttore e indirizzo del produttore
- (B) Peso max. utilizzatore
- (C) Parte applicata di tipo B
- (D) Intervallo di utilizzo (non è consentito il funzionamento continuo del motore): massimo 2 minuti di uso continuo, seguiti da una pausa di 18 minuti
- (E) Conforme alla direttiva RAEE
- (F) Data di produzione

- (G) Tipo di protezione
- (H) Dispositivo medico
- (I) Peso del prodotto
- (J) Conformità europea
- (K) Conformità valutata per il Regno Unito
- (L) Numero di serie
- (M) Identificativo univoco del dispositivo
- (N) Codice di riferimento
- (O) Leggere il manuale d'uso
- (P) Tensione nominale/potenza nominale, vedere *10 Dati Tecnici, pagina 120*
- (Q) Denominazione del prodotto



L'etichetta modello è applicata sul retro dello schienale.

### Altre etichette sul prodotto



L'etichetta (simbolo bianco su sfondo blu) indica la posizione in cui l'utilizzatore deve spingere verso il basso lo schienale durante il sollevamento; fare riferimento a *4 Messa in servizio, pagina 102*

## 3 Panoramica del prodotto

### 3.1 Uso previsto

Aquatec ORCA, ORCA F e ORCA XL sono sollevatori per vasca da bagno alimentati a batteria che forniscono un ausilio per entrare o uscire da una vasca da bagno.

Si compone di un piano seduta ( con alette laterali) con superficie antiscivolo e di un telecomando che controlla la salita e la discesa del piano seduta. I modelli Orca e Orca XL hanno uno schienale rigido abbassabile. ORCA F presenta uno schienale fisso. Sono disponibili come optional diversi componenti, come i rivestimenti dei sedili e degli schienali.

#### Utilizzatori previsti

Gli utilizzatori sono persone con mobilità ridotta o limitata. Se utilizzato senza assistente, gli utilizzatore devono essere in grado di mantenere l'equilibrio.

#### Indicazioni

- Mobilità ridotta o limitata (ad es. gambe e/o fianchi) o
- con problemi di equilibrio quando ci si alza o si cammina a causa di disabilità transitorie o permanenti.

Se si utilizza il prodotto come previsto, non sono note controindicazioni. Per il peso utilizzatore massimo, vedere 10 *Dati Tecnici*, pagina 120

### 3.2 Componenti principali del prodotto

Fanno parte della fornitura i seguenti componenti:

#### Pulsantiera e caricabatteria

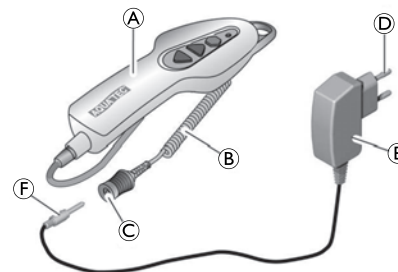


Fig. 3-1

Ⓐ	Pulsantiera con batteria	Ⓓ	Spina di alimentazione
Ⓑ	Cavo a spirale	Ⓔ	Caricabatteria
Ⓒ	Pres a jack	Ⓕ	Spina a jack

## Sedile

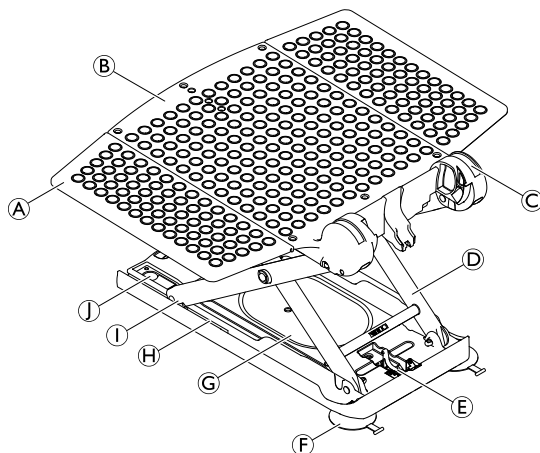


Fig. 3-2

Ⓐ	Ribalta laterale	Ⓕ	Ventose posteriori (con filettatura)
Ⓑ	Piastra del sedile	Ⓖ	Piastra di base
Ⓒ	Cerniera per lo schienale	Ⓖ	Guida per la superficie scorrevole
Ⓓ	Forbici di sollevamento	Ⓖ	Superficie scorrevole
Ⓔ	Alloggiamento della base del mandrino	Ⓖ	Ventose anteriori (una linguetta con testa)

## Schienale

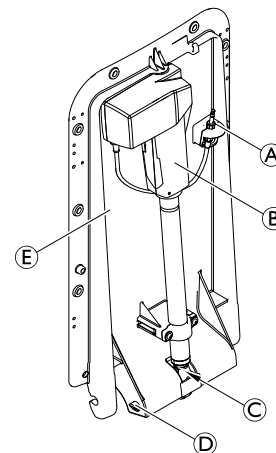


Fig. 3-3

Ⓐ	Spina a jack	Ⓓ	Perno di bloccaggio
Ⓑ	Azionamento	Ⓔ	Piastra, schienale
Ⓒ	Base del mandrino		

## 4 Messa in servizio

### 4.1 Informazioni per la sicurezza



#### Rischio di danni

- Controllare tutti i componenti per verificare che non presentino danni derivanti dal trasporto e controllare prima dell'utilizzo. Se necessario, rivolgersi al fornitore.
- Assicurarsi che durante il montaggio le parti siano posizionate correttamente l'una rispetto all'altra.
- Si raccomanda di lavare i rivestimenti prima del primo utilizzo, fare riferimento a 7.2 *Pulizia e disinfezione, pagina 114*

### 4.2 Installazione del sollevatore per vasca da bagno



#### ATTENZIONE!

#### Rischio di scivolamento

- Il sollevatore per vasca da bagno può scivolare se le ventose non hanno una buona tenuta.
- Pulire la vasca e le ventose con un panno umido prima di installare il sollevatore per vasca da bagno.
  - Non modificare la posizione del sollevatore per vasca da bagno all'interno della vasca dopo averlo installato.



#### ATTENZIONE!

#### Pericolo di lesioni e danni.

- Installare il sollevatore per vasca da bagno solo in vasche conformi alle specifiche della seguente tabella.
- Se la vasca da bagno è dotata di troppopieno laterale, usare le ribalte laterali speciali (opzionali).

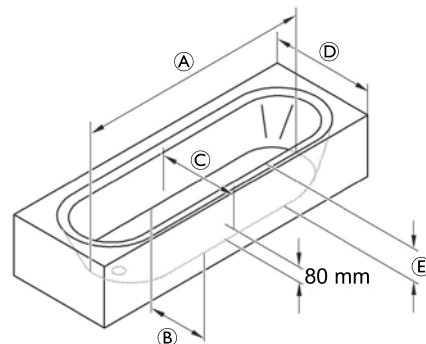


Fig. 4-1

Ⓐ	Lunghezza vasca, fondo	≥ 800 mm
Ⓑ	Larghezza vasca, fondo (interno)	≥ 280 mm
Ⓒ	Larghezza vasca, a un'altezza di 80 mm (interno)	≥ 430 mm
Ⓓ	Larghezza vasca (esterno)	700 - 740 mm <sup>1)</sup>
Ⓔ	Larghezza vasca (interno)	≤ 420 mm <sup>2)</sup>

- 1) 580 - 690 mm o 750 - 1000 mm con ribalte laterali speciali (opzionali)
- 2) (con adattatore di altezza, massimo + 60 mm)

### ! Rischio di danni

- Controllare che le ventose siano montate correttamente.
- Controllare che la batteria nella pulsantiera sia carica.
- Quando si sollevano i componenti del sollevatore per vasca da bagno, ricordarsi di valutare correttamente i relativi pesi, fare riferimento a *10.1 Dimensioni e peso, pagina 120*
- Se all'interno della vasca da bagno è montato un maniglione, utilizzare i deviatori delle ribalte laterali opzionali.

1.

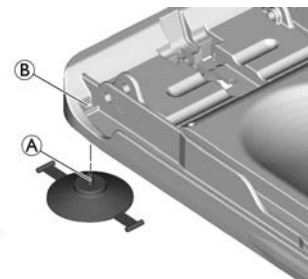


Fig. 4-2

Posizionare la ventosa con il bullone filettato (A) sul dado a manicotto (B) e avvitare. Avvitare fino a che la ventosa è in linea con l'orientamento riportato sull'immagine.

2.

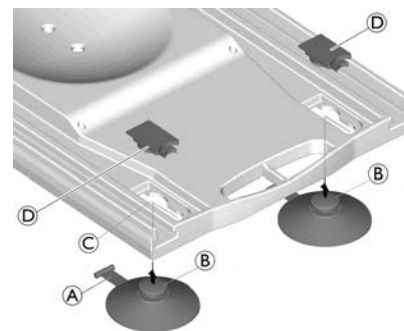


Fig. 4-3

Inserire (A) nel foro dell'asola (C) e posizionarlo nell'incavo corrispondente. Far passare la ventosa (B) attraverso il foro (C) e tirare la ventosa in avanti. Fissare la ventosa con il coperchio rosso (D).

3.

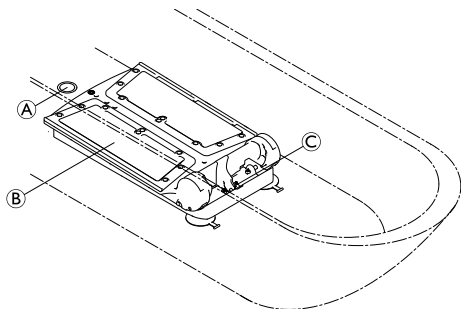


Fig. 4-4

Posizionare il sedile (B) sul fondo della vasca da bagno vuota. Assicurarsi che l'alloggiamento della base del mandrino (C) sia rivolto verso l'estremità della vasca da bagno opposta allo scarico (A).

4.

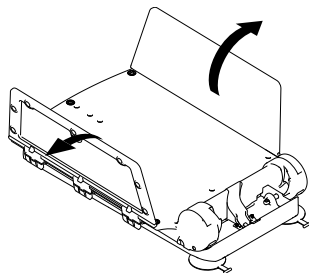


Fig. 4-5

Piegare le ribalte laterali del sedile verso l'esterno.

5.



**AVVISO!**

– Assicurarsi che le ribalte laterali siano ripiegate verso l'esterno prima di posizionare lo schienale sul sedile.

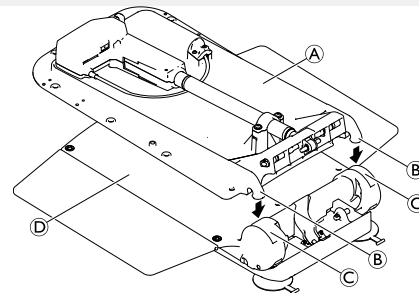


Fig. 4-6

Posizionare lo schienale (A) (senza la pulsantiera) sul sedile in modo tale che i ganci (B) dello schienale si inseriscano nelle cerniere (C) della piastra del sedile (D).



6.



### Rischio di danni

Danni al prodotto causati dalla fuoriuscita della base del mandrino.

- Prima di aprire lo schienale tirandolo verso l'alto, assicurarsi che il mandrino sia completamente rientrato e che la base del mandrino sia in piano e non sia storta.
- Quando lo schienale è aperto, verificare che la base del mandrino si trovi nel proprio alloggiamento.

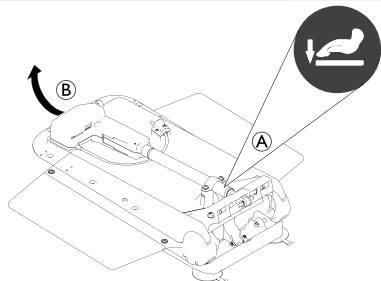


Fig. 4-7

Spingere con una mano lo schienale sulla piastra del sedile nella posizione dell'etichetta A con una mano per inserire i ganci nelle cerniere.

7. Continuando a spingere leggermente verso il basso lo schienale come descritto al punto 6, tenere lo schienale al centro della testiera B e piegare con cautela lo schienale nella posizione finale.

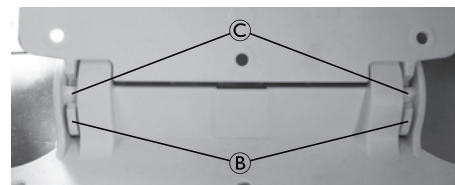


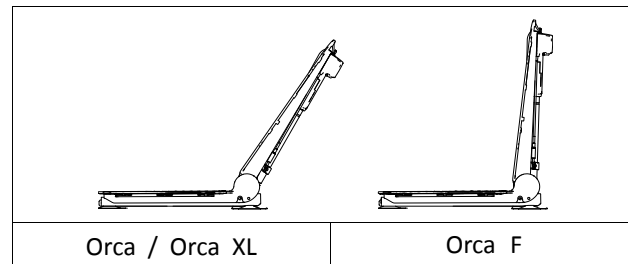
Fig. 4-8



### Rischio di danni

Danni al prodotto a causa del montaggio scorretto dello schienale

- Assicurarsi che entrambi i ganci B dello schienale siano innestati nelle cerniere C della piastra del sedile.
- Assicurarsi che lo schienale possa essere ribaltato in avanti fino alla posizione finale senza dover applicare una forza o avvertire una resistenza rilevante. La posizione finale è indicata nell'immagine seguente.



8.

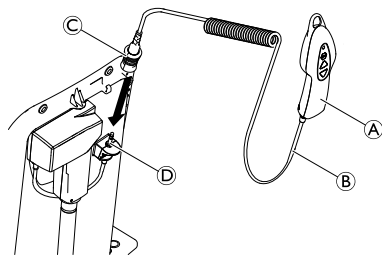


Fig. 4-9

Per collegare la pulsantiera ① al sollevatore per vasca da bagno, collegare la presa a jack con il manicotto di sblocco ③ alla spina a jack ④ fino a far scattare il meccanismo di chiusura.

### ! Rischio di danni

- Assicurarsi che lo schienale non tocchi il bordo della vasca.
- Se necessario, collocare il sollevatore per vasca da bagno più avanti nella vasca. Per collocare il sollevatore per vasca da bagno più avanti nella vasca, abbassare il sollevatore per vasca da bagno fino al fondo, allentare le ventose e poi spostare il sollevatore.

## 4.3 Batteria in carica

Il sollevatore per vasca da bagno non può essere usato durante il caricamento della batteria.



### ATTENZIONE!

#### Rischio di scosse elettriche

- Ricaricare la batteria solo in ambienti asciutti a temperatura ambiente (da 15 °C a 25 °C) e mai nel bagno.



#### Rischio di danni

- Utilizzare esclusivamente il caricabatteria fornito per caricare la batteria nella pulsantiera.
- Collegare il caricabatteria alla rete elettrica solo quando la pulsantiera è collegata al caricabatteria.
- Assicurarsi che le specifiche di tensione indicate sul caricabatteria corrispondano a quelle della rete elettrica.

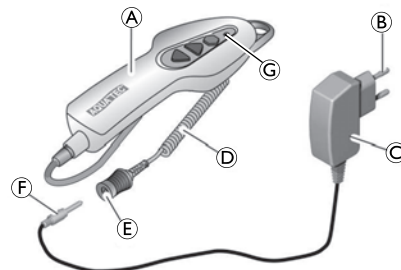


Fig. 4-10

1. Inserire la spina a jack ⑥ del caricabatteria ③ nella presa a jack ⑤ sul cavo a spirale ④ della pulsantiera ① fino all'innesto.
2. Inserire la spina di alimentazione ② del caricabatteria in una presa di corrente.



La spia rossa © della pulsantiera si spegne quando la batteria è sufficientemente carica per utilizzo futuro. Non è possibile sovraccaricare la batteria.

3. Scollegare il caricabatteria dalla presa di corrente.
4. Estrarre la spina a jack del caricabatteria dalla presa a jack della pulsantiera.

## 5 Uso

### 5.1 Informazioni per la sicurezza



#### AVVERTENZA!

##### Pericolo di lesioni o danni

L'umidità potrebbe penetrare in una pulsantiera danneggiata, con conseguente possibilità che si verifichino cortocircuiti e incendi.

- Prima di ogni utilizzo, effettuare sempre un controllo visivo per verificare che il prodotto non presenti danni esterni.
- Se l'alloggiamento della pulsantiera è danneggiato o presenta delle crepe, non utilizzare la pulsantiera.



#### AVVERTENZA!

##### Rischio di pizzicamento

- Non inserire le dita nella guida tra la piastra del sedile e lo schienale.
- Non mettere le mani sotto la piastra del sedile o tra le forbici di sollevamento.



##### Rischio di danni

Il sovraccarico del sollevatore per vasca da bagno può causare danni al dispositivo o impedire il sollevamento.

- Non sovraccaricare il sollevatore per vasca da bagno e rispettare le specifiche riguardanti la portata indicate sull'etichetta modello o fare riferimento a *10 Dati Tecnici, pagina 120*



Ricaricare la batteria regolarmente, fare riferimento a *3.4 Ricarica della batteria in 4 Messa in servizio, pagina 102*



Per ulteriori informazioni sulle condizioni operative, fare riferimento a *10.4 Parametri ambientali, pagina 121*

### 5.2 Controllo del sollevatore per vasca da bagno

Il sollevatore per vasca da bagno può essere spostato nelle seguenti direzioni:



Fig. 5-1

Il sollevatore per vasca da bagno è controllato tramite la pulsantiera, sia dall'utilizzatore sia da un assistente.



Con una batteria completamente carica, i modelli ORCA e ORCA F sono in grado di eseguire 5 cicli di funzionamento con un carico di 140 kg. Il modello ORCA XL può eseguire 4 cicli di funzionamento con un carico di 170 kg.

- Ⓐ Pulsante di arresto di emergenza
- Ⓑ Pulsante su
- Ⓒ Pulsantiera
- Ⓓ Pulsante giù
- Ⓔ Spia

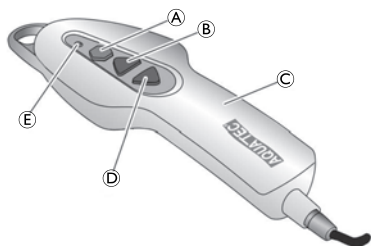


Fig. 5-2

### ! Rischio di danni

– La pulsantiera può essere utilizzata solo quando lo schienale è installato correttamente e in posizione verticale.

**i** Se la batteria della pulsantiera Ⓒ non è sufficientemente carica, la spia Ⓔ si accende quando viene premuto il pulsante Giù Ⓓ. In questo caso, la funzione di abbassamento del sollevatore per vasca da bagno è disattivata. Tuttavia, è possibile continuare ad alzare il sollevatore.

1. Ricaricare la batteria subito dopo il sollevamento del sollevatore per vasca da bagno.

### Sollevamento del sollevatore per vasca da bagno

**i** Se lo schienale viene abbassato, prima si sposta in posizione verticale (non sul modello ORCA F).

1. Premere il pulsante Su Ⓑ della pulsantiera e tenerlo premuto.  
Lo schienale si sposta in posizione verticale o il sedile si sposta verso l'alto.
2. Rilasciare il pulsante Su della pulsantiera.  
Il sollevatore per vasca da bagno si ferma nella posizione corrente.

### Abbassamento del sollevatore per vasca da bagno

**i** Se il sedile è già abbassato, lo schienale si abbassa verso il retro (non sul modello ORCA F).

1. Premere il pulsante Giù Ⓓ della pulsantiera e tenerlo premuto.  
Il sedile si sposta verso il basso oppure lo schienale si inclina all'indietro.
2. Rilasciare il pulsante Giù della pulsantiera.  
Il sollevatore per vasca da bagno si ferma nella posizione corrente.

### Pulsante di arresto di emergenza

#### ! Rischio di danni

Premere il pulsante di arresto di emergenza Ⓐ solo se il dispositivo non si ferma immediatamente quando viene rilasciato il pulsante Su o Giù (ad esempio se un pulsante si blocca). Il sollevatore per vasca da bagno si arresta immediatamente e la spia sulla pulsantiera si accende.

Se, dopo aver rilasciato il pulsante di arresto di emergenza, il sollevatore non risponde più alla pressione dei pulsanti Su o Giù, l'errore non è stato corretto. Il dispositivo non è

pronto per l'uso e deve essere riparato, ad esempio in caso di danno elettronico.

 Se necessario, rivolgersi al proprio fornitore.

### 5.3 Utilizzo mentre si fa il bagno



#### ATTENZIONE! Rischio di scivolamento

Il sollevatore per vasca da bagno può scivolare se le ventose non hanno una buona tenuta.

- Prima di utilizzare il sollevatore per vasca da bagno, assicurarsi che sia posizionato in modo sicuro e che non possa ribaltarsi.
- Assicurarsi che il sollevatore per vasca da bagno sia posto in una vasca da bagno dalle dimensioni corrette, fare riferimento a 4.2 *Installazione del sollevatore per vasca da bagno, pagina 102*



#### ATTENZIONE! Pericolo di lesioni

- Se le condizioni dell'utilizzatore non permettono di fare il bagno da soli, utilizzare il dispositivo solo con la supervisione di un'altra persona.
- Se si aziona il dispositivo senza supervisione, assicurarsi di tenere a portata di mano un sistema di allarme o un telefono in caso di imprevisti (ad esempio malfunzionamenti).



#### Rischio di danni

- Oli o sali da bagno possono compromettere le prestazioni delle forbici di sollevamento.
- In caso di utilizzo di tali additivi da bagno, non superare la dose consigliata.




Portare il sollevatore senza carico una volta nella posizione superiore e poi nuovamente nella posizione inferiore (test di funzionamento).

1. Premere e tenere premuto il pulsante Su fino a quando il sedile è a livello del bordo della vasca da bagno.
2. Assicurarsi che le ribalte laterali siano a livello con la piastra del sedile e poggino in piano sul bordo della vasca da bagno (posizione iniziale).
3. Riempire d'acqua la vasca da bagno.
4. Sedersi sulla ribalta laterale più vicina a se stessi come si farebbe su una sedia.
5. Scivolare all'indietro fino a quando non si è seduti al centro del sedile.
6. Girarsi nella posizione adatta per fare il bagno, sollevando una gamba e poi l'altra sopra il bordo della vasca.
7. Una volta seduti correttamente, premere e tenere premuto il pulsante Giù per abbassare il sedile all'interno della vasca da bagno.



Quando il sedile ha raggiunto la posizione più bassa, è possibile reclinare lo schienale continuando a tenere premuto il pulsante Giù. Questo consente di adottare una posizione più comoda per fare il bagno e permette di immergersi più in profondità nell'acqua della vasca (non presente sul modello ORCA F).

8. Tenere premuto il pulsante Giù fino a quando lo schienale non ha raggiunto la posizione desiderata.  
 Per uscire dalla vasca da bagno, seguire gli stessi passaggi nell'ordine inverso.
9. Per sollevare lo schienale o il sollevatore per vasca da bagno, premere e tenere premuto il pulsante Su fino a quando il sedile è a livello del bordo della vasca da bagno.

**Rischio di danni**

- Scollegare la pulsantiera dal dispositivo quando il sollevatore per vasca da bagno non è in uso, fare riferimento a *6.2 Rimozione del sollevatore per vasca da bagno, pagina 112* passaggio 3.

## 6 Trasporto

### 6.1 Informazioni per la sicurezza



#### Rischio di danni

- Fare riferimento alle condizioni di conservazione e di trasporto riportate nella sezione 10.4 *Parametri ambientali, pagina 121*
- Lo schienale non è bloccato sul sedile quando viene ribaltato e può staccarsi.
- Non rimuovere le ventose quando si trasporta il sollevatore per vasca da bagno.



Il telaio della base con piastra del sedile e lo schienale possono essere smontati per il trasporto.

### 6.2 Rimozione del sollevatore per vasca da bagno

1. Scaricare l'acqua presente nella vasca da bagno.
2. Abbassare il sollevatore per vasca da bagno premendo il pulsante Giù finché lo schienale non si arresta nella posizione abbassata finale, fare riferimento a 5.2 *Controllo del sollevatore per vasca da bagno, pagina 108*
3. Sbloccare la presa a jack sul cavo a spirale della pulsantiera spingendo verso l'alto il manicotto di sblocco ed estrarla dalla spina a jack.

4.

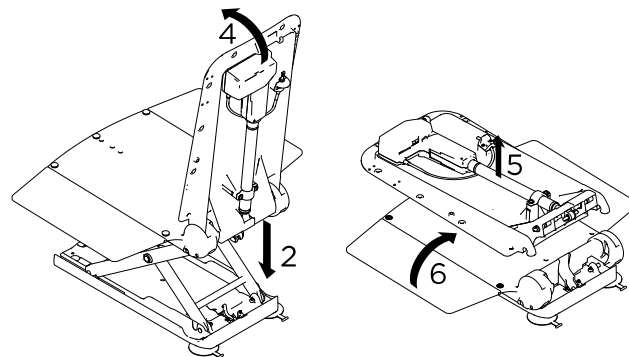


Fig. 6-1

Tenere lo schienale in corrispondenza della testiera e ribaltare lentamente lo schienale in avanti nella posizione finale.



#### Rischio di danni

- Non chiudere lo schienale se nella vasca da bagno è presente dell'acqua.
- Prima di chiudere lo schienale, verificare che sia completamente nella posizione abbassata.
- Quando si ribalta lo schienale in basso, assicurarsi che il cavo a spirale della pulsantiera non resti intrappolato.

5. Estrarre lo schienale dal sedile tirandolo verso l'alto e sollevarlo dalla vasca.
6. Piegarle le ribalte laterali del sedile verso l'interno.



7.

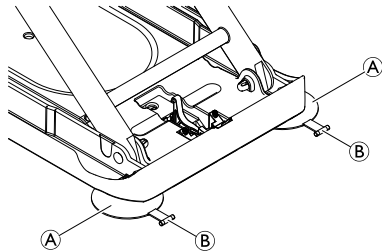



Fig. 6-2

Rilasciare le ventose posteriori ① contemporaneamente tirando verso l'alto le linguette sporgenti ②.

8. Sollevare leggermente la parte posteriore del sedile. In questo modo vengono rilasciate le ventose anteriori.

 Se sono stati installati gli adattatori di altezza (opzionali), è necessario tirare anche le linguette delle ventose anteriori per rilasciarle.

9. Estrarre dalla vasca da bagno il telaio della base con la piastra del sedile.

## 7 Manutenzione

### 7.1 Manutenzione e ispezione

L'osservanza delle note per la pulizia e la sicurezza rende il prodotto esente da manutenzione.



#### Rischio di danni

– La pulsantiera può essere aperta solo dal produttore del sollevatore per vasca da bagno.

1. Controllare regolarmente che il prodotto non sia danneggiato e assicurarsi che sia assemblato in modo sicuro.
2. In caso di danni e/o necessità di riparazioni, contattare immediatamente il rivenditore.
3. Il sollevatore per vasca da bagno deve essere sempre controllato da un fornitore autorizzato prima del riutilizzo. Si raccomanda di controllare il sollevatore per vasca da bagno al più tardi dopo 24 mesi (in conformità con DIN EN ISO 10535).
4. Se il sollevatore per vasca da bagno non viene utilizzato per un periodo prolungato, caricare completamente la batteria, quindi alzare e abbassare il sollevatore per vasca da bagno 3 volte senza carico. Ripetere questo procedimento ogni 3 mesi. Questo aiuta a prolungare la durata della batteria.

## 7.2 Pulizia e disinfezione

### 7.2.1 Informazioni generali sulla sicurezza



#### AVVERTENZA!

##### Rischio di contaminazione

– Adottare opportune precauzioni per la propria protezione e utilizzare un'attrezzatura protettiva adeguata.



#### AVVISO!

Liquidi inappropriati o metodi errati potrebbero danneggiare il prodotto.

- Tutti i prodotti detergenti e disinfettanti utilizzati devono essere efficaci, compatibili tra loro e devono proteggere i materiali su cui vengono utilizzati durante la pulizia.
- Non utilizzare mai liquidi corrosivi (sostanze alcaline, acidi ecc.) o detergenti abrasivi. Si consiglia di utilizzare un comune detergente per uso domestico, come il detersivo per piatti.
- Non utilizzare mai solventi (diluente per cellulosa, acetone ecc.) che modificano la struttura della plastica o che sciolgono le etichette applicate.



Per la pulizia e la disinfezione in ambienti clinici o di assistenza a lungo termine, seguire le procedure interne della struttura.

## 7.2.2 Intervalli di pulizia

### ! AVVISO!

La pulizia e la disinfezione regolari consentono di assicurare il regolare e buon funzionamento, aumentare la durata e prevenire la contaminazione.

Pulire e disinfettare regolarmente il prodotto:

- regolarmente durante l'uso,
- prima e dopo qualsiasi procedura di manutenzione,
- in caso di contatto con liquidi biologici,
- prima dell'uso per un nuovo utilizzatore.

## 7.2.3 Istruzioni per la pulizia

### Pulizia del sedile e dello schienale



#### AVVERTENZA!

##### Rischio di pizzicamento

- Prestare particolare attenzione durante la pulizia nell'area delle forbici di sollevamento, in quanto possono muoversi e provocare lesioni.



#### Rischio di danni

- Non usare mai un sistema di pulizia ad alta pressione per pulire lo schienale.

1. Lavare il prodotto con un panno o una spazzola.
2. Risciacquare il prodotto con acqua calda.

3. Asciugare il prodotto con un panno.
4. Lubrificare leggermente la guida della superficie scorrevole (fare riferimento alla Fig. 3.2, callout ④ nel capitolo 3.2 *Componenti principali del prodotto*, pagina 100) utilizzando vaselina.

### Pulizia dei rivestimenti (opzionale)



Si raccomanda di lavare i rivestimenti prima del primo utilizzo. Per motivi igienici si raccomanda di pulire regolarmente i rivestimenti e di sostituirli ogni anno.

1. Sbottonare i rivestimenti dal sedile e dallo schienale.
2. Lavare i rivestimenti in lavatrice con detergente delicato a una temperatura massima di 60 °C.



#### Rischio di danni

- Un lavaggio a temperature elevate può provocare danni o restringimenti del rivestimento.
- Non asciugare i rivestimenti nell'asciugabiancheria.

## Pulizia del caricabatteria e della pulsantiera



### ATTENZIONE!

#### Rischio di scosse elettriche

- Scollegare sempre la spina dalla presa di corrente prima di pulire il caricabatteria.
- Non inserire mai oggetti di materiale conduttivo (ad esempio, ferri da maglia, perni metallici) nella presa a jack della pulsantiera.
- Non usare mai un panno bagnato o umido per pulire il caricabatteria.



### AVVERTENZA!

#### Rischio di scosse elettriche e danni al prodotto

- Spegnerne il dispositivo e scollegarlo dall'alimentazione, se è collegato.
- Durante la pulizia di componenti elettronici, considerare la loro classe di protezione contro l'ingresso di acqua.
- Assicurarsi che la spina e la presa di corrente a muro non siano esposte agli schizzi d'acqua.
- Non toccare la presa di corrente con le mani bagnate.

1. Pulire il caricabatteria con un panno asciutto.
2. La pulsantiera può essere pulita con un panno umido.
3. Asciugare la pulsantiera con un panno.

### 7.2.4 Istruzioni per la disinfezione

Metodo: Seguire le note applicative per il disinfettante utilizzato e disinfettare con una salvietta tutte le superfici accessibili.

Disinfettante: normale disinfettante per la casa.

Asciugatura: Lasciare asciugare il prodotto all'aria.

## 8 Dopo l'utilizzo

### 8.1 Conservazione



#### Rischio di danni

- Non riporre il prodotto vicino a fonti di calore.
- Non conservare la batteria in prossimità di fiamme libere.
- Non esporre il prodotto alla luce diretta del sole.
- Fare riferimento alle condizioni di conservazione e di trasporto riportate nella sezione *10.4 Parametri ambientali*, pagina 121

### 8.2 Ricondizionamento

Questo prodotto è adatto per il riutilizzo. Per il ricondizionamento del prodotto per un nuovo utilizzatore, intraprendere le azioni seguenti:

- Ispezione
- Pulizia e disinfezione

Per informazioni dettagliate, fare riferimento al paragrafo 7 *Manutenzione*, pagina 114 e al manuale per la manutenzione di questo prodotto.

Assicurarsi che il manuale d'uso venga sempre consegnato insieme al prodotto.

Se si riscontrano danni o malfunzionamenti, non riutilizzare il prodotto.

### 8.3 Smaltimento



#### ATTENZIONE!

#### Pericolo per l'ambiente

- Il dispositivo contiene batterie.  
Il prodotto può contenere sostanze potenzialmente pericolose per l'ambiente se smaltite in luoghi (discariche) non conformi alla normativa in vigore.
- NON smaltire le batterie come normali rifiuti domestici.
  - NON gettare le batterie nel fuoco.
  - Le batterie DEVONO essere conferite in un sito di smaltimento idoneo. La loro restituzione è obbligatoria per legge e gratuita.
  - Smaltire esclusivamente batterie scariche.
  - Coprire i terminali delle batterie al litio prima dello smaltimento.
  - Per ulteriori informazioni sul tipo di batteria, vedere l'etichetta delle batterie o consultare la sezione *10 Dati Tecnici*, pagina 120

Rispettare l'ambiente e riciclare il prodotto attraverso un centro di riciclaggio locale al termine del suo utilizzo.

Smontare il prodotto e i relativi componenti, in modo che i differenti materiali possano essere staccati e riciclati singolarmente.

Lo smaltimento e il riciclaggio dei prodotti usati e degli imballaggi devono essere eseguiti nel rispetto delle leggi e delle normative in materia di gestione dei rifiuti vigenti in ciascun paese. Per ulteriori informazioni, contattare la propria azienda di raccolta rifiuti locale.

## 9 Guida alla soluzione dei problemi

### 9.1 Identificazione e riparazione dei guasti



La tabella seguente fornisce informazioni sui malfunzionamenti e sulle possibili cause. Qualora non fosse possibile correggere il malfunzionamento mediante i rimedi indicati, contattare direttamente il proprio fornitore.

Guasto	Causa possibile	Soluzione
Non si sente alcun rumore del motore / il sollevatore non si muove.	La presa a jack della pulsantiera non è innestata correttamente.	Innestare la presa a jack, → 4.2 <i>Installazione del sollevatore per vasca da bagno, pagina 102</i>
	La batteria è scarica.	Ricaricare completamente la batteria, → 4.3 <i>Batteria in carica, pagina 106</i>
	I contatti sono sporchi.	Pulire il connettore sullo schienale.
	Il cavo è schiacciato/danneggiato.	Sostituire la pulsantiera, → contattare il proprio fornitore.
Il sollevatore può essere sollevato, ma non abbassato.	La protezione a bassa tensione è attivata.	Ricaricare completamente la batteria, → 4.3 <i>Batteria in carica, pagina 106</i>
Il sollevatore si ferma mentre viene sollevato.	Carico eccessivo.	Rispettare il carico massimo, → 10.1 <i>Dimensioni e peso, pagina 120</i>
Il sollevatore per vasca da bagno non aderisce saldamente alla vasca da bagno.	Le ventose sono vecchie o danneggiate.	Sostituire le ventose, → contattare il proprio fornitore.
La batteria non si carica e la spia rossa lampeggia durante la carica	Componenti elettronici difettosi.	Far controllare la pulsantiera dal proprio fornitore autorizzato.
	Batteria difettosa.	Sostituire la pulsantiera, → contattare il proprio fornitore.

<b>Guasto</b>	<b>Causa possibile</b>	<b>Soluzione</b>
	Caricabatteria difettoso.	Far controllare il caricabatteria dal proprio fornitore autorizzato.
	La batteria è troppo calda.	Tenere la pulsantiera lontana da fonti di calore. La carica continua automaticamente quando la temperatura scende ai limiti ammissibili.

## 10 Dati Tecnici

### 10.1 Dimensioni e peso

Lunghezza totale alla posizione più bassa	920 mm
Lunghezza totale alla posizione più alta	650 mm
Altezza totale alla posizione più alta	1075 mm
Lunghezza del sedile	590 mm
Larghezza sedile con ribalte laterali piegate verso l'esterno	715 mm
Larghezza sedile con ribalte laterali piegate verso l'interno	390 mm
Altezza sedile alla posizione più bassa	60 mm
Altezza sedile alla posizione più alta	420 mm
Larghezza dello schienale	360 mm
Massima inclinazione dello schienale	8°
Larghezza piastra di base	295 mm
Carico massimo (ORCA / ORCA F)	140 kg
Carico massimo (ORCA XL)	170 kg
Peso totale senza pulsantiera (ORCA)	10,8 kg
(ORCA F)	11,4 kg
(ORCA XL)	11,6 kg
Peso del sedile (ORCA)	6,6 kg
(ORCA F)	7,2 kg
(ORCA XL)	7,4 kg

Peso dello schienale (ORCA / ORCA F / ORCA XL)	4,2 kg
Peso della pulsantiera	0,4 kg
Peso del caricabatteria	0,1 kg

### 10.2 Dati elettronici

Forza di attivazione per i pulsanti della pulsantiera	< 5 N
Tensione di esercizio della pulsantiera <sup>1)</sup>	11,1 V c.c./10,95 V c.c./10,8 V c.c.
Potenza di ingresso nominale <sup>1)</sup>	44 VA / 43 VA
Corrente nominale	4 A
Tipo di batteria	Agli ioni di litio
Ingresso caricabatteria	100 - 240 V c.a., 50 - 60 Hz
Uscita caricabatteria	24 V c.c., 135 mA, 3 VA
Tempo di carica da avviso bassa tensione	Circa 4.5 h
Tipo di protezione, azionamento	IP X6 W <sup>2)</sup>
Tipo di protezione, pulsantiera	IP 67 <sup>3)</sup>



Tipo di protezione, intero dispositivo	IP X6 <sup>4)</sup>
Livello di potenza sonora	52 dB(A)

L'attuatore non si spegne quando il prodotto è sovraccarico. Non sovraccaricare il sollevatore per vasca da bagno per evitare danni.

<sup>1)</sup> 11,1 V c.c./44 VA in caso di utilizzo di pulsantiera con tensione pari a 11,1 V, come indicato sul retro della pulsantiera.

10,95 V c.c./44 VA in caso di utilizzo di pulsantiera con tensione pari a 10,95 V, come indicato sul retro della pulsantiera.

10,8 V~/43 VA in caso di utilizzo di pulsantiera con tensione pari a 10,8 V, come indicato sul retro della pulsantiera.

<sup>2)</sup> Protetto contro la penetrazione di acqua in caso di forti getti di acqua, testato in condizioni meteorologiche convenzionali.

<sup>3)</sup> Protetto contro la polvere e contro la penetrazione di acqua durante l'immersione temporanea.

<sup>4)</sup> Protetto dalla penetrazione di acqua in caso di forti getti d'acqua.

### 10.3 Materiali

Schienale/piastra del sedile	PPGF
Rivestimenti	PVC



Tutti i materiali utilizzati sono resistenti alla corrosione e privi di lattice.

### 10.4 Parametri ambientali

Condizioni di funzionamento	
Temperatura ambiente	10 - 40 °C
Umidità relativa	15% - 93% non condensante
Pressione atmosferica	795 - 1060 hPa
Condizioni di conservazione e di trasporto	
Temperatura ambiente	0 - 40 °C
Umidità relativa	30% - 75% non condensante
Pressione atmosferica	795 - 1060 hPa



---

# Contenido

---

Este manual DEBE ser entregado al usuario final. ANTES de usar este producto lea este manual y guárdelo para futuras referencias.

<b>1 Generalidades</b> .....	<b>124</b>
1.1 Introducción .....	124
1.2 Símbolos empleados en este documento .....	124
1.2.1 Otros símbolos .....	125
1.3 Garantía .....	125
1.4 Cumplimiento .....	125
1.4.1 Normas específicas del producto .....	125
1.5 Vida útil .....	125
1.6 Limitación de responsabilidad .....	125
<b>2 Seguridad</b> .....	<b>127</b>
2.1 Información de seguridad .....	127
2.2 Información de seguridad sobre compatibilidad electromagnética .....	127
2.3 Etiquetas y símbolos en el producto .....	129
<b>3 Descripción del producto</b> .....	<b>130</b>
3.1 Uso previsto .....	130
3.2 Piezas principales del producto .....	130
<b>4 Instalación</b> .....	<b>132</b>
4.1 Información de seguridad .....	132
4.2 Ajuste del elevador de bañera .....	132
4.3 Carga de la batería .....	136
<b>5 Utilización</b> .....	<b>138</b>
5.1 Información de seguridad .....	138
5.2 Control del elevador de bañera .....	138
5.3 Bañarse .....	140
<b>6 Transporte</b> .....	<b>142</b>
6.1 Información de seguridad .....	142
6.2 Desmontaje del elevador de bañera .....	142
<b>7 Mantenimiento</b> .....	<b>144</b>
7.1 Mantenimiento e inspección .....	144
7.2 Limpieza y desinfección .....	144
7.2.1 Información general de seguridad .....	144
7.2.2 Intervalos de limpieza .....	144
7.2.3 Instrucciones de limpieza .....	145
7.2.4 Instrucciones de desinfección .....	146
<b>8 Después del uso</b> .....	<b>147</b>
8.1 Almacenamiento .....	147
8.2 Reacondicionamiento .....	147
8.3 Eliminación .....	147
<b>9 Solución de problemas</b> .....	<b>148</b>
9.1 Identificación y reparación de fallos .....	148
<b>10 Datos Técnicos</b> .....	<b>150</b>
10.1 Dimensiones y peso .....	150
10.2 Datos electrónicos .....	150
10.3 Materiales .....	151
10.4 Parámetros medioambientales .....	151

# 1 Generalidades

## 1.1 Introducción

Este manual del usuario contiene información importante sobre el manejo del producto. Para garantizar su seguridad al utilizar el producto, lea detenidamente el manual del usuario y siga las instrucciones de seguridad.

Utilice exclusivamente este producto si ha leído y comprendido este manual. Busque asesoramiento adicional de un profesional sanitario que esté familiarizado con su afección y expóngale todas las preguntas que tenga en relación con el uso correcto y el ajuste necesario.

Tenga en cuenta que puede haber secciones que no sean relevantes para su producto, ya que este documento se aplica a todos los modelos disponibles (en la fecha de impresión). A no ser que se indique lo contrario, cada una de las secciones de este documento hace referencia a todos los modelos del producto.

Los modelos y las configuraciones disponibles en su país pueden encontrarse en los documentos de venta específicos del país.

Invacare se reserva el derecho de modificar las especificaciones del producto sin previo aviso.

Antes de leer este documento, asegúrese de contar con la versión más reciente. Podrá encontrarla en formato PDF en el sitio web de Invacare.

Si la versión impresa del documento tiene un tamaño de letra que le resulta difícil de leer, podrá descargarlo en

formato PDF en el sitio web. Podrá ampliar el PDF en pantalla a un tamaño de letra que le resulte más cómodo.

Para obtener más información sobre el producto (por ejemplo, avisos de seguridad y retiradas de productos), póngase en contacto con un distribuidor de Invacare. Consulte las direcciones que figuran al final de este documento.

En caso de un accidente grave con el producto, informe al fabricante y a las autoridades competentes de su país.

## 1.2 Símbolos empleados en este documento

En este documento se utilizan símbolos y señales que hacen referencia a peligros o usos poco seguros que podrían provocar lesiones físicas o daños materiales. A continuación, se muestran las descripciones de estos símbolos.



### ADVERTENCIA

Indica una situación peligrosa que, si no se evita, podría tener como consecuencia la muerte o lesiones graves.



### PRECAUCIÓN


Indica una situación peligrosa que, si no se evita, podría tener como consecuencia lesiones leves o de poca gravedad.

**!** AVISO  
Indica una situación peligrosa que, si no se evita, puede tener como consecuencia daños en la propiedad.

**i** Consejos y recomendaciones  
Proporciona consejos útiles, recomendaciones e información para un uso eficiente y sin problemas.

### 1.2.1 Otros símbolos

**UKRP** Persona responsable del Reino Unido  
Indica si un producto no se fabrica en el Reino Unido.

 Triman  
Indica las reglas de reciclaje y recogida selectiva (solo relevantes para Francia).

## 1.3 Garantía

Ofrecemos la garantía del fabricante del producto conforme a nuestras Condiciones generales y Condiciones comerciales en los distintos países. Las reclamaciones relativas a la garantía solo pueden efectuarse a través del proveedor en el que se adquirió el aparato.

Las fundas y las ventosas no están incluidas en esta garantía.

## 1.4 Cumplimiento

La calidad es fundamental para el funcionamiento de nuestra empresa, que trabaja conforme a las normas ISO 13485.

Este producto lleva la marca CE correspondiente, en cumplimiento con el Reglamento sobre productos sanitarios 2017/745 Clase I.

Este producto lleva la marca UKCA correspondiente, en cumplimiento con el Reglamento sobre productos sanitarios del Reino Unido 2002 Parte II (modificado) Clase I.

Trabajamos continuamente para garantizar que se reduzca al mínimo el impacto medioambiental de la empresa, tanto a nivel local como global.

Solo utilizamos materiales y componentes que cumplen con las directivas REACH.

Cumplimos con las leyes medioambientales RAEE y RoHS actuales.

### 1.4.1 Normas específicas del producto

El producto cumple con los requisitos de la norma ISO 10535 (Grúas para el traslado de personas con discapacidad).

Para obtener más información sobre las normativas locales, póngase en contacto con el representante local de Invacare.

## 1.5 Vida útil

La vida útil prevista para este producto es de cinco años, siempre y cuando se utilice diariamente y de conformidad con las instrucciones de seguridad, se respeten los intervalos de mantenimiento y se utilice correctamente según lo establecido en este manual. La vida útil real puede variar en función de la frecuencia y la intensidad del uso.

## 1.6 Limitación de responsabilidad

Invacare no se hace responsable de los daños surgidos por:

- Incumplimiento del manual del usuario
- Uso incorrecto
- Desgaste natural
- Montaje o instalación incorrectos por parte del comprador o de terceros
- Modificaciones técnicas
- Modificaciones no autorizadas y/o uso de recambios inadecuados

## 2 Seguridad

### 2.1 Información de seguridad



#### **¡ADVERTENCIA!**

##### **Riesgo de lesiones graves o daños**

Un uso incorrecto de este producto puede provocar lesiones o daños.

- Si tiene alguna duda relacionada con las advertencias, precauciones o instrucciones, póngase en contacto con un profesional sanitario o con su proveedor antes de intentar utilizar este equipo.
- No utilice este producto ni ningún otro equipo opcional disponible sin antes haber leído y comprendido plenamente estas instrucciones y cualquier otro material informativo adicional.



#### **¡ADVERTENCIA!**

##### **Riesgo de lesiones**

- No utilice el producto si está defectuoso.
- En caso de producirse un fallo en el funcionamiento, póngase en contacto con su proveedor inmediatamente.
- No realice ningún cambio ni modificación en el producto sin autorización.
- No se suba sobre el elevador de bañera para entrar o salir de la misma y no lo use para subir o bajar, como plataforma de elevación ni con ningún propósito similar.



#### **¡ADVERTENCIA!**

- Antes de utilizarlo por primera vez, limpie a fondo el producto.
- Antes de cada uso, compruebe que el producto no esté dañado y asegúrese de que esté montado de forma segura.



#### **¡PRECAUCIÓN!**

##### **Riesgo de lesiones**

El uso de piezas incorrectas o que no sean originales puede afectar el funcionamiento y la seguridad del producto.

- Utilice solo piezas originales para usar el producto.
- Dadas las diferencias regionales existentes, consulte en el catálogo o en el sitio web de Invacare las opciones disponibles o póngase en contacto con su distribuidor de Invacare.

### 2.2 Información de seguridad sobre compatibilidad electromagnética



#### **¡ADVERTENCIA!**

##### **Riesgo de funcionamiento incorrecto**

Las interferencias electromagnéticas pueden afectar al funcionamiento.

- No utilice este producto cerca de otros equipos eléctricos ni encima de ellos. Si no es posible separarlos, debe observarlos detenidamente para asegurarse de que funcionan normalmente.



### **¡ADVERTENCIA!**

#### **Riesgo de funcionamiento incorrecto debido a interferencias electromagnéticas**

Las interferencias electromagnéticas entre este producto y otros equipos eléctricos pueden interferir con las funciones de ajuste eléctrico de este producto. Para evitar, reducir o eliminar dichas interferencias electromagnéticas:

- Utilice únicamente cables, accesorios y recambios originales, no aumente la emisión electromagnética ni reduzca la inmunidad electromagnética de este producto.
- No utilice equipos de comunicaciones por radiofrecuencia (RF) portátiles a menos de 30 cm de cualquiera de las piezas de este producto (incluidos los cables).
- No utilice este producto cerca de un equipo quirúrgico de alta frecuencia que esté activo ni de una sala blindada contra señales de radiofrecuencia para la realización de resonancias magnéticas, donde la intensidad de las interferencias electromagnéticas es elevada.
- Si se producen interferencias, aumente la distancia entre este producto y el otro equipo o apáguelo.



No tenemos constancia de ningún riesgo al utilizar productos como un marcapasos.

Puede solicitar la guía y la declaración del fabricante sobre inmunidad y emisiones electromagnéticas al contacto de Invacare en su país.





## 3 Descripción del producto

### 3.1 Uso previsto

Aquatec ORCA, ORCA F y ORCA XL son elevadores de bañera accionados con batería y que proporcionan ayuda para entrar o salir de una bañera.

Se compone de un placa de asiento (con laterales integrados) con superficie antideslizante y un mando a distancia que controla la subida o bajada del asiento. ORCA y ORCA XL tienen un respaldo rígido que se puede bajar. ORCA F tiene un respaldo fijo. Algunos componentes, como las fundas del asiento y del respaldo, se ofrecen de forma opcional.

#### Usuarios previstos

Está destinado a personas con movilidad restringida o limitada. Si se utiliza sin un ayudante, los usuarios deben ser capaces de mantener el equilibrio.

#### Indicaciones

- Movilidad restringida o limitada (por ejemplo, piernas y/o caderas) o
- problemas de equilibrio para ponerse en pie o caminar debido a discapacidades transitorias o permanentes.

No existen contraindicaciones conocidas cuando el producto se utiliza del modo previsto. Para conocer el peso máximo de usuario, consulte *10 Datos Técnicos, página 150*

### 3.2 Piezas principales del producto

Los siguientes componentes se incluyen con la entrega:

#### Mando y cargador

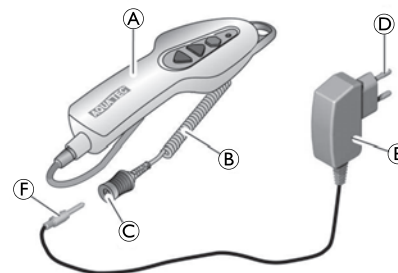


Fig. 3-1

(A)	Mando con batería	(D)	Enchufe de red
(B)	Cable espiral	(E)	Cargador
(C)	Jack hembra	(F)	Clavija jack

## Asiento

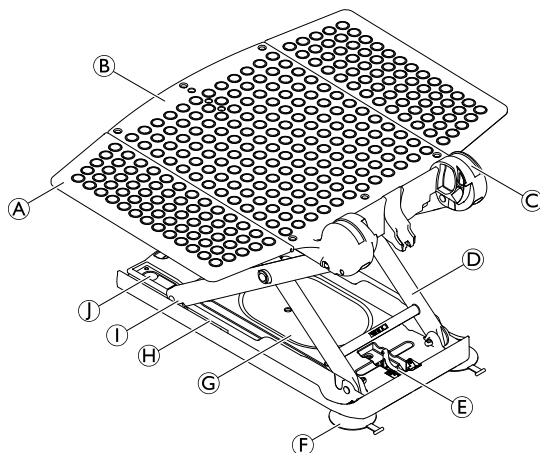


Fig. 3-2

(A)	Lateral	(F)	Ventosas traseras (con rosca)
(B)	Placa de asiento	(G)	Placa base
(C)	Enganche del respaldo	(H)	Guía de la superficie de deslizamiento
(D)	Cruceta de elevación tipo tijera	(I)	Superficie de deslizamiento
(E)	Alojamiento del pie del husillo	(J)	Ventosas delanteras (una lengüeta con cabezal)

## Respaldo

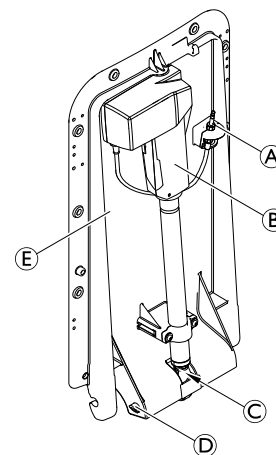


Fig. 3-3

(A)	Clavija jack	(D)	Pasador de bloqueo
(B)	Accionamiento	(E)	Placa del respaldo
(C)	Pie del husillo		

## 4 Instalación

### 4.1 Información de seguridad



#### Riesgo de daños

- Compruebe todas las piezas antes del uso por si presentan daños debidos al transporte. Póngase en contacto con su proveedor, si es necesario.
- Durante el montaje, compruebe que las piezas estén correctamente colocadas unas con respecto a las otras.
- Se recomienda lavar las fundas antes de usarlas por primera vez, consulte 7.2 *Limpieza y desinfección*, página 144

### 4.2 Ajuste del elevador de bañera



#### ¡ADVERTENCIA!

#### Riesgo de deslizamiento

- El elevador de bañera puede deslizarse si las ventosas no tienen un agarre óptimo.
- Limpie la bañera y las ventosas con un paño húmedo antes de ajustar el elevador de bañera.
  - Una vez ajustado, no cambie la posición del elevador de bañera dentro de la misma.



#### ¡ADVERTENCIA!

#### Riesgo de lesiones y daños

- Coloque el elevador de bañera solamente en bañeras que cumplan con las especificaciones de la tabla a continuación.
- Si se produce un desbordamiento lateral en la bañera, utilice los laterales especiales opcionales.

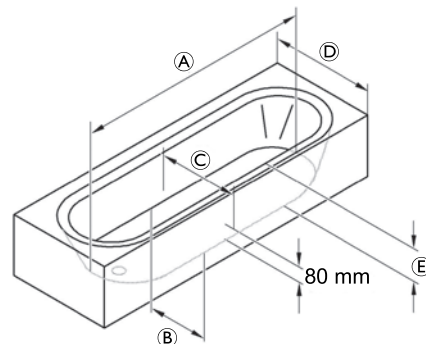


Fig. 4-1

Ⓐ	Longitud de la bañera, fondo	≥ 800 mm
Ⓑ	Anchura de la bañera, fondo (interior)	≥ 280 mm
Ⓒ	Anchura de la bañera, a 80 mm de altura (interior)	≥ 430 mm
Ⓓ	Anchura de la bañera (exterior)	700 mm - 740 mm <sup>1)</sup>
Ⓔ	Altura de la bañera (interior)	≤ 420 mm <sup>2)</sup>

- 1) 580 mm - 690 mm o 750 mm - 1000 mm con laterales especiales (opcionales)
- 2) (con adaptador de altura, máx. + 60 mm)

**!** **Riesgo de daños**

- Asegúrese de que las ventosas estén colocadas correctamente.
- Asegúrese de que la batería del mando esté cargada.
- Al levantar los componentes del elevador de bañera, estudie bien los pesos, consulte *10.1 Dimensiones y peso, página 150*
- Si la bañera cuenta con una barandilla montada en el interior, utilice los separadores de los laterales opcionales.

1.

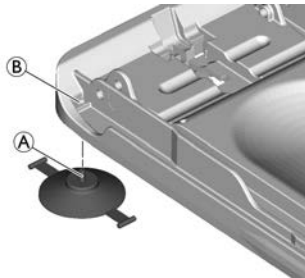


Fig. 4-2

Coloque la ventosa trasera con el tornillo (A) en la tuerca de manguito (B) y atorníllela. Atornille hasta que la ventosa se ajuste a la orientación del gráfico.

2.

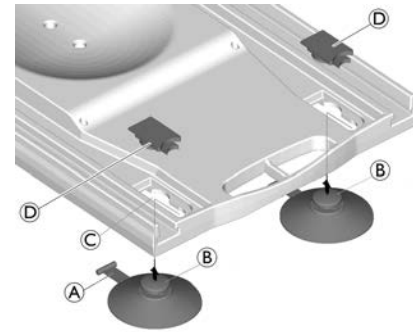


Fig. 4-3

Inserte la lengüeta (A) a través del ojal (C) y colóquela en el hueco correspondiente. Inserte el cabezal de ventosa (B) a través del orificio (C) y tire de la ventosa hacia delante. Fije la ventosa con la tapa roja (D).

3.

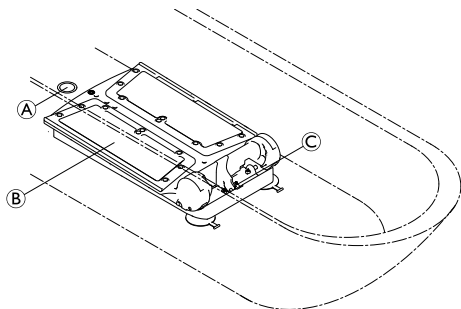


Fig. 4-4

Coloque el asiento **B** sobre el fondo de la bañera vacía. Asegúrese de que el alojamiento del pie del husillo **C** esté orientado hacia el extremo de la bañera situado en el lado opuesto del desagüe **A**.

4.

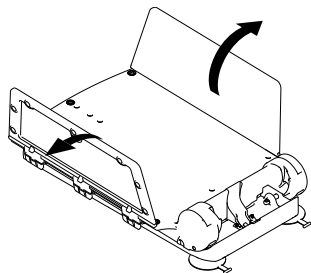


Fig. 4-5

Abata los laterales del asiento hacia fuera.

5.



### AVISO

– Asegúrese de que los laterales estén abatidos hacia afuera antes de colocar el respaldo en el asiento.

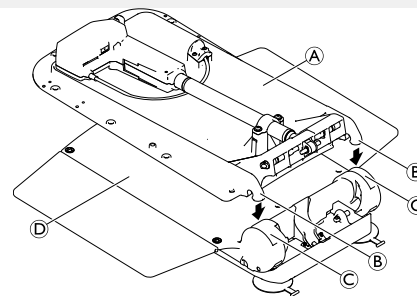


Fig. 4-6

Coloque el respaldo **A** (sin el mando) sobre el asiento de tal manera que los ganchos **B** del respaldo encajen en los enganches **C** de la placa de asiento **D**.

6.



**Riesgo de daños**

El producto se puede dañar a causa de un desplazamiento hacia fuera del pie del husillo.

- Antes de elevar el respaldo, compruebe que el husillo se encuentre completamente retraído y que el pie del husillo está nivelado y no torcido.
- Una vez que se haya elevado el respaldo, compruebe que el pie del husillo se encuentre dentro de su alojamiento.

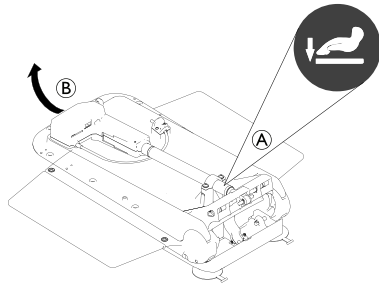


Fig. 4-7

Empuje hacia abajo el respaldo sobre la placa de asiento en la posición de la etiqueta A con una mano para encajar los ganchos en los enganches.

7. Mientras sigue empujando ligeramente el respaldo hacia abajo como se describe en el paso 6, sujete el respaldo en el centro del extremo de la cabeza B y elévelo con cuidado hasta la posición final.

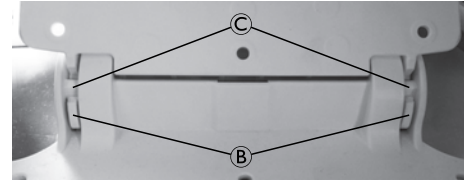


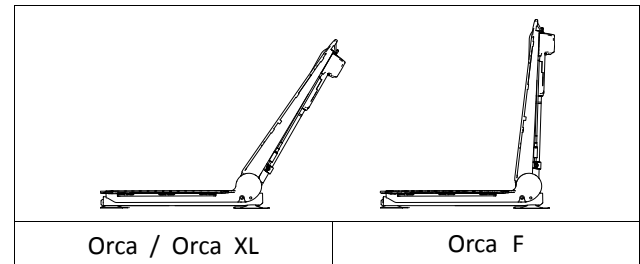
Fig. 4-8



**Riesgo de daños**

Daños en el producto por un montaje incorrecto del respaldo.

- Asegúrese de que los dos ganchos B del respaldo encajan en los enganches C de la placa de asiento.
- Asegúrese de el respaldo se eleve hasta la posición final sin ejercer fuerza ni resistencia notable. La posición final se indica en el siguiente gráfico.



8.

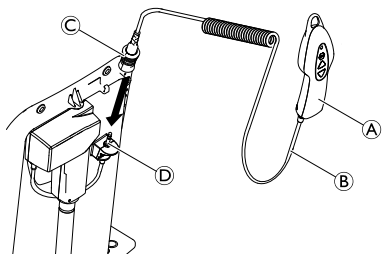


Fig. 4-9

Para conectar el mando (A) con el elevador de bañera, encaje el jack hembra con el manguito de desbloqueo (C) en la clavija jack (D) hasta que el bloqueo se acople perceptiblemente.



#### Riesgo de daños

- Asegúrese de que el respaldo no toca el borde de la bañera.
- Si es necesario, coloque el elevador de bañera adelantado en la bañera. Para colocar el elevador de bañera más adelantado en la bañera, baje el elevador a lo mínimo, afloje las ventosas y, a continuación, mueva el elevador de bañera.

### 4.3 Carga de la batería

El elevador de bañera no debe usarse cuando la batería se está cargando.



#### ¡ADVERTENCIA!

##### Riesgo de descarga eléctrica

- Recargue la batería únicamente en entornos secos a temperatura ambiente (de 15 °C a 25 °C) y bajo ningún concepto en el cuarto de baño.



##### Riesgo de daños

- Utilice únicamente el cargador suministrado para cargar la batería en el mando.
- Enchufe el cargador únicamente a la corriente eléctrica cuando el mando ya esté conectado al cargador.
- Asegúrese de que la especificación de tensión del cargador coincida con la tensión de la corriente eléctrica.

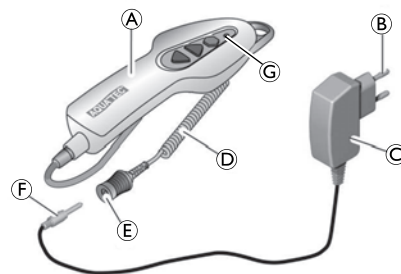


Fig. 4-10



1. Enchufe la clavija jack ⑥ del cargador ③ en el jack hembra ⑤ del cable espiral ④ del mando ① hasta que encaje.
2. Inserte el enchufe de red ② del cargador en una toma de corriente.



El indicador luminoso rojo ⑦ del mando se apaga cuando la batería está lo suficientemente cargada para el siguiente uso. No es posible "sobrecargar" la batería.

3. Desconecte el cargador de la toma de corriente.
4. Extraiga la clavija jack del cargador del jack hembra del mando.

## 5 Utilización

### 5.1 Información de seguridad



#### ¡PRECAUCIÓN!

##### Riesgo de daños o lesiones

La humedad puede penetrar en un mando defectuoso y dar lugar a un cortocircuito e incendio.

- Antes de utilizar el producto, realice siempre una inspección visual del mismo para detectar posibles daños externos.
- Si la carcasa del mando está dañada o muestra fisuras, no utilice el mando.



#### ¡PRECAUCIÓN!

##### Riesgo de atrapamiento

- No introduzca los dedos en la guía entre la placa de asiento y el respaldo.
- No coloque los dedos debajo de la placa de asiento o entre las crucetas de elevación tipo tijera.



#### Riesgo de daños

La sobrecarga del elevador de bañera, puede causar daños en el dispositivo o evitar que se eleve.

- No sobrecargue el elevador de bañera y tenga en cuenta las especificaciones de la etiqueta de identificación, o bien consulte *10 Datos Técnicos, página 150* en relación con la capacidad de carga.



Recargue la batería periódicamente, consulte *4.3 Carga de la batería en 4 Instalación, página 132*



Para obtener más información sobre las condiciones de funcionamiento, consulte *10.4 Parámetros medioambientales, página 151*


### 5.2 Control del elevador de bañera

El elevador de bañera puede moverse en las direcciones siguientes:



Fig. 5-1

El elevador de bañera se controla mediante el mando, ya sea por parte del usuario como de un auxiliar.

 Con la batería completamente cargada, los aparatos ORCA y ORCA F se pueden utilizar en 5 baños con una carga de 140 kg. El aparato ORCA XL se puede utilizar en 4 baños con una carga de 170 kg.

- (A) Botón de parada de emergencia
- (B) Botón Subir
- (C) Mando
- (D) Botón Bajar
- (E) Indicador luminoso

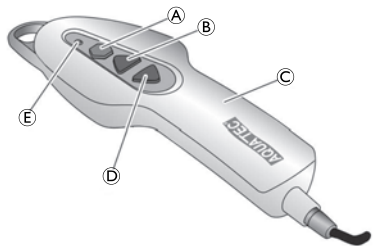



Fig. 5-2


### Riesgo de daños

- El mando solo puede usarse cuando el respaldo está correctamente colocado y en posición vertical.

 Si la batería del mando (C) no está suficientemente cargada, el indicador luminoso (E) se encenderá cuando se pulse el botón Bajar (D). En este caso, se desactiva la función de bajada del elevador de bañera. Sin embargo, sí que podrá subir el elevador.


1. Recargue la batería inmediatamente después de elevar el elevador de bañera.

### Elevación del elevador de bañera

 Cuando el respaldo está bajado, su primer movimiento será hacia la posición vertical (excepto en el modelo ORCA F)

1. Pulse la tecla Subir (B) del mando y manténgala pulsada. El respaldo se moverá a la posición vertical o el asiento se desplazará hacia arriba.
2. Suelte el botón Subir del mando. El elevador de bañera se detendrá en la posición actual.

### Descenso del elevador de bañera

 Si el asiento ya se ha bajado, el respaldo desciende hacia atrás (excepto en el modelo ORCA F).

1. Pulse la tecla Bajar (D) del mando y manténgala pulsada. El asiento baja o el respaldo se inclina hacia atrás.
2. Suelte el botón Bajar del mando. El elevador de bañera se detendrá en la posición actual.


### Botón de parada de emergencia

#### Riesgo de daños

Pulse el botón de parada de emergencia (A) únicamente si el dispositivo no se detiene en el momento de soltar el botón Subir o Bajar (por ejemplo, al atascarse un botón). El movimiento del elevador de bañera se detiene al instante y el indicador luminoso en el mando se ilumina.

Si el elevador ya no responde al pulsar los botones Subir o Bajar después de soltar el botón de parada de emergencia, el error no se ha corregido. El dispositivo no está listo para

su uso y debe repararse, por ejemplo, en caso de un daño electrónico.

 Póngase en contacto con su proveedor, si es necesario.

### 5.3 Bañarse



#### ¡ADVERTENCIA!

##### Riesgo de deslizamiento

El elevador de bañera puede deslizarse si las ventosas no tienen un agarre óptimo.

- Antes de utilizar el elevador de bañera, asegúrese de que esté colocado correctamente y de que no pueda volcar.
- Asegúrese de que el elevador de bañera esté instalado en una bañera con las dimensiones correctas, consulte *4.2 Ajuste del elevador de bañera, página 132*



#### ¡ADVERTENCIA!

##### Riesgo de lesiones

- Si, debido su estado, no puede bañarse por sí mismo, utilice únicamente el dispositivo bajo la supervisión de otra persona.
- Si se utiliza el dispositivo sin supervisión, asegúrese de contar con un sistema de alarma o teléfono a mano, en caso de eventos imprevistos, por ejemplo, un funcionamiento defectuoso.



#### Riesgo de daños

Los aceites o las sales de baño pueden perjudicar el rendimiento de la cruceta de elevación tipo tijera.

- Si usa aceites o sales de baño, preste atención a la dosis recomendada.



Haga que el elevador se mueva una vez hacia arriba y hacia abajo sin carga (prueba de funcionamiento).

1. Mantenga pulsado el botón Subir hasta que el asiento quede al nivel del borde de la bañera.
2. Los laterales deben quedar sobre el borde de la bañera al mismo nivel que el asiento apoyados de manera segura (posición inicial).
3. Llene la bañera de agua.
4. Siéntese sobre el lateral más cercano a usted como si se sentara sobre una silla.
5. Deslícese hacia atrás hasta la mitad del asiento.
6. Gírese a la posición del baño. Para ello pase primero una pierna y después la otra por encima del borde de la bañera.
7. Una vez que esté correctamente sentado, mantenga pulsado el botón Bajar para bajar el asiento al interior de la bañera.



Una vez que el asiento alcance la posición más baja, podrá reclinar el respaldo si sigue pulsando el botón Bajar. De este modo se logra una postura de baño más cómoda y permite sumergirse aún más en el agua del baño (excepto en el modelo ORCA F).

8. Continúe pulsando el botón Bajar hasta que el respaldo alcance la posición deseada.



Para salir de la bañera, siga los mismos pasos en el orden inverso.

9. Para elevar el respaldo o el elevador de bañera, pulse el botón Subir hasta que el asiento quede al nivel del borde de la bañera.



#### **Riesgo de daños**

- Desconecte el mando del dispositivo cuando el elevador de bañera no esté en uso, consulte *6.2 Desmontaje del elevador de bañera, página 142* paso 3.

## 6 Transporte

### 6.1 Información de seguridad



#### Riesgo de daños

- Consulte las condiciones de envío y almacenamiento en el capítulo 10.4 *Parámetros medioambientales*, página 151
- Cuando el respaldo está abatido, no se encuentra bloqueado y es posible que se desprenda.
- No extraiga las ventosas mientras transporte el elevador de bañera.



El chasis inferior con la placa de asiento y el respaldo se puede desmontar para el transporte.

### 6.2 Desmontaje del elevador de bañera

1. Deje salir el agua de la bañera.
2. Baje el elevador de bañera con el botón Bajar hasta que el respaldo se detenga en la posición final más baja, consulte 5.2 *Control del elevador de bañera*, página 138
3. Desbloquee el jack hembra del cable espiral del mando desplazando el manguito de desbloqueo hacia arriba y retírelo de la clavija jack.

4.

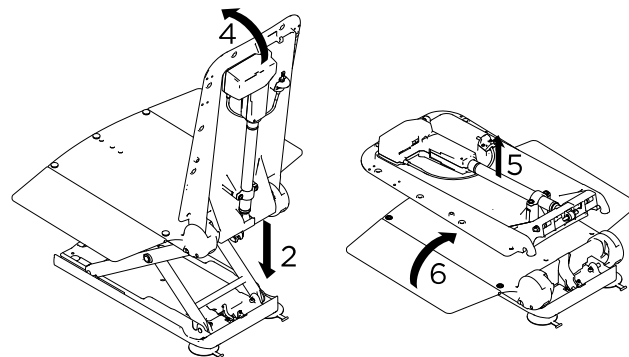


Fig. 6-1

Sujete el respaldo por el extremo de la cabeza y abátalo lentamente hacia adelante hasta alcanzar la posición final.



#### Riesgo de daños

- Abata el respaldo únicamente cuando ya no quede agua en la bañera.
- Antes de abatir el respaldo hacia abajo, asegúrese de que esté en la posición más baja.
- Al abatir el respaldo, asegúrese de que el cable espiral del mando no quede atrapado.

5. Extraiga hacia arriba el respaldo del asiento y sáquelo de la bañera.
6. Abata hacia adentro los laterales del asiento.

7.

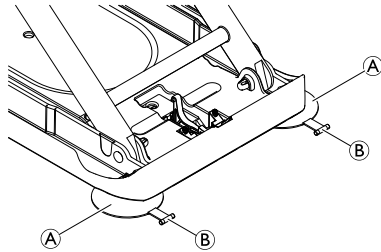



Fig. 6-2

Para soltar las ventosas traseras ① simultáneamente, levante las lengüetas que sobresalen ②.

8. Levante ligeramente el asiento por la parte de atrás. Esto hará que se suelten las ventosas delanteras.

 Si los adaptadores de altura están instalados (opcional), también deberá tirar de las lengüetas de las ventosas delanteras para soltarlas.

9. Saque el chasis inferior con la placa de asiento fuera de la bañera.

## 7 Mantenimiento

### 7.1 Mantenimiento e inspección

Si se siguen las indicaciones de limpieza y seguridad, el producto no necesita ningún mantenimiento.



#### Riesgo de daños

- Únicamente el fabricante del elevador de bañera puede abrir el mando.

1. Compruebe con regularidad que el producto no esté dañado y que esté montado de forma segura.
2. En caso de producirse daños y/o reparaciones necesarias, póngase en contacto de inmediato con el proveedor.
3. El elevador de bañera debe revisarlo un proveedor autorizado antes de cada reutilización. Se recomienda revisar el elevador de bañera tras 24 meses como máximo (de acuerdo con la norma DIN EN ISO 10535).
4. Si no utiliza el elevador de bañera durante un periodo prolongado, cargue totalmente la batería y a continuación haga que el elevador de bañera se desplace 3 veces hacia arriba y hacia abajo sin carga alguna. Repita este proceso cada 3 meses. Así se mantendrá la vida útil de la batería.

### 7.2 Limpieza y desinfección

#### 7.2.1 Información general de seguridad



#### ¡PRECAUCIÓN!

#### Riesgo de contaminación

- Adopte las precauciones necesarias y utilice el equipo de protección adecuado.



#### AVISO

- Seguir métodos erróneos o utilizar fluidos incorrectos puede dañar o deteriorar el producto.
- Todos los productos de limpieza y desinfectantes empleados deben ser eficaces, compatibles entre sí y deben proteger los materiales que se van a limpiar.
  - Nunca utilice fluidos corrosivos (álcalis, ácidos, etc.) ni productos de limpieza abrasivos. Se recomienda utilizar un producto de limpieza doméstico normal, como el líquido lavavajillas.
  - No utilice disolventes (decapantes de celulosa, acetona, etc.) que cambien la estructura del plástico o disuelvan las etiquetas adheridas.



Para la limpieza y desinfección en entornos clínicos o de atención sanitaria a largo plazo, siga los procedimientos internos.

#### 7.2.2 Intervalos de limpieza



#### AVISO

- La limpieza y la desinfección regulares mejoran el funcionamiento correcto, aumentan la vida útil y evitan la contaminación.
- Limpie y desinfecte el producto:
- periódicamente mientras esté en uso,
  - antes y después de cualquier procedimiento de mantenimiento,
  - cuando haya estado en contacto con fluidos corporales,
  - antes de usarlo con un nuevo usuario.



### 7.2.3 Instrucciones de limpieza

#### Limpeza del asiento y del respaldo



#### ¡PRECAUCIÓN!

##### Riesgo de atrapamiento

- Al limpiar, tenga especial cuidado con el área de la cruceta de elevación tipo tijera, ya que podría moverse y causar lesiones.



##### Riesgo de daños

- No limpie nunca el respaldo con un limpiador a alta presión.

1. Lave el producto utilizando un paño o un cepillo.
2. Enjuague el producto con agua caliente.
3. Seque el producto con un paño.
4. Engrase ligeramente con vaselina la guía de la superficie de deslizamiento (consulte la Fig. 3.2, etiqueta ⓘ en el capítulo 3.2 *Piezas principales del producto*, página 130).

#### Limpeza de las fundas (opcional)



Se recomienda lavar las fundas antes de usarlas por primera vez. Por motivos de higiene, se recomienda lavar las fundas regularmente y cambiarlas una vez al año.

1. Desabotone las fundas de asiento y de respaldo.
2. Lave las fundas en una lavadora a una temperatura máxima de 60 °C con un detergente suave.



#### Riesgo de daños

- Si se lavan a altas temperaturas, la funda se puede dañar o encoger.
- No seque las fundas en la secadora.

#### Limpeza del cargador y del mando



#### ¡ADVERTENCIA!

##### Riesgo de descarga eléctrica

- Desconecte siempre el enchufe de la toma de corriente antes de limpiar el cargador.
- No introduzca nunca objetos fabricados con materiales conductores (por ejemplo, agujas de tejer o pasadores metálicos) en el jack hembra del mando.
- No limpie nunca el cargador con un trapo mojado o húmedo.



#### ¡PRECAUCIÓN!

##### Riesgo de descarga eléctrica y daños en el producto

- Apague el dispositivo y desconéctelo de la red eléctrica, si procede.
- Al limpiar componentes electrónicos, tenga en cuenta su clase de protección sobre la introducción de agua.
- Asegúrese de que no salpique agua en el enchufe o la toma de pared.
- No toque la toma de corriente con las manos mojadas.

1. Limpie el cargador con un paño seco.
2. Limpie el mando con un paño húmedo.
3. Seque el mando con un paño.

#### **7.2.4 Instrucciones de desinfección**

Método: Siga las instrucciones de aplicación del desinfectante y limpie y desinfecte todas las superficies accesibles.

Desinfectante: Desinfectante doméstico habitual.

Secado: Deje que el producto se seque al aire.

## 8 Después del uso

### 8.1 Almacenamiento



#### Riesgo de daños

- No guarde el producto cerca de fuentes de calor.
- No guarde la batería cerca de llamas vivas.
- No exponga el producto a la luz solar directa.
- Consulte las condiciones de envío y almacenamiento en la sección *10.4 Parámetros medioambientales*, página 151

### 8.2 Reacondicionamiento

El producto se puede reutilizar. Para reacondicionar el producto para un nuevo usuario, lleve a cabo las siguientes acciones:

- Inspección
- Limpieza y desinfección

Para obtener información detallada, consulte *7 Mantenimiento*, página 144 y el manual de servicio de este producto.

Asegúrese de que el manual del usuario se entregue con el producto.

Si se detecta algún daño o un funcionamiento deficiente, no reutilice el producto.

### 8.3 Eliminación



#### ¡ADVERTENCIA!

#### Riesgo medioambiental

- El dispositivo tiene baterías. Este producto puede contener sustancias que podrían ser perjudiciales para el medio ambiente si se procede a su eliminación en lugares (vertederos) que no sean los idóneos según la legislación.
- NO tire las baterías con la basura doméstica.
  - NO tire las baterías al fuego.
  - Las baterías DEBERÁN llevarse a un punto limpio adecuado. Entregar las baterías no tiene coste alguno y lo exige la ley.
  - Tire solo baterías descargadas.
  - Cubra los terminales de baterías de litio antes de tirarlos.
  - Para obtener más información sobre el tipo de batería, consulte la etiqueta de la batería o el capítulo *10 Datos Técnicos*, página 150

Proteja el medio ambiente y recicle este producto a través de la planta de reciclaje más próxima cuando llegue al final de su vida útil.

Desmunte el producto y sus componentes para separar y reciclar individualmente los diferentes materiales.

La eliminación o el reciclaje de los productos usados y del embalaje deberán llevarse a cabo conforme a las normativas legales sobre el tratamiento de residuos vigentes en cada país. Póngase en contacto con la empresa de gestión de residuos local para obtener más información al respecto.

## 9 Solución de problemas

### 9.1 Identificación y reparación de fallos



En la siguiente tabla se incluye información sobre fallos de funcionamiento y sus posibles causas. Si no puede corregir el mal funcionamiento con las soluciones indicadas, póngase en contacto directamente con su proveedor.

Fallo	Posible causa	Solución
No se oye el ruido del motor/el elevador no se mueve.	El jack hembra del mando no encaja correctamente.	Encaje el jack hembra, → 4.2 <i>Ajuste del elevador de bañera, página 132</i>
	La batería está descargada.	Recargue completamente la batería, → 4.3 <i>Carga de la batería, página 136</i>
	Los contactos están sucios.	Limpie la clavija del respaldo.
	El cable ha quedado prensado/se ha dañado.	Sustituya el mando, → póngase en contacto con su proveedor.
El elevador se puede subir, pero no bajar.	La protección de bajo voltaje se ha activado.	Recargue completamente la batería, → 4.3 <i>Carga de la batería, página 136</i>
El elevador se detiene al subir.	La carga es excesiva.	Tenga en cuenta la carga máxima, → 10.1 <i>Dimensiones y peso, página 150</i>
El elevador de bañera no se adhiere a la bañera con seguridad.	Las ventosas están muy usadas o dañadas.	Sustituya las ventosas, → póngase en contacto con su proveedor.
La batería no se carga y el indicador luminoso rojo parpadea durante la carga.	El sistema electrónico está defectuoso.	Solicite a un proveedor autorizado que compruebe el mando.
	La batería es defectuosa.	Sustituya el mando, → póngase en contacto con su proveedor.

<b>Fallo</b>	<b>Posible causa</b>	<b>Solución</b>
	El cargador es defectuoso.	Solicite a un proveedor autorizado que compruebe el cargador.
	La batería se calienta demasiado.	Mantenga el mando alejado de fuentes de calor. La carga continúa automáticamente una vez que la temperatura desciende a límites permisibles.

## 10 Datos Técnicos

### 10.1 Dimensiones y peso

Longitud total en la posición más baja	920 mm
Longitud total en la posición más alta	650 mm
Altura total en la posición más alta	1075 mm
Longitud del asiento	590 mm
Anchura del asiento con los laterales abiertos	715 mm
Anchura del asiento con los laterales cerrados	390 mm
Altura del asiento en la posición más baja	60 mm
Altura del asiento en su posición más alta	420 mm
Anchura del respaldo	360 mm
Ángulo mínimo del respaldo	8°
Anchura de la placa base	295 mm
Carga máx. (ORCA / ORCA F) Carga máx. (ORCA XL)	140 kg 170 kg
Peso total sin mando (ORCA) (ORCA F) (ORCA XL)	10,8 kg 11,4 kg 11,6 kg
Peso del asiento (ORCA) (ORCA F) (ORCA XL)	6,6 kg 7,2 kg 7,4 kg

Peso del respaldo (ORCA / ORCA F / ORCA XL)	4,2 kg
Peso del mando	0,4 kg
Peso del cargador	0,1 kg

### 10.2 Datos electrónicos

Fuerza de accionamiento de los botones del mando	< 5 N
Tensión de funcionamiento del mando <sup>1)</sup>	11,1 V CC / 10,95 V CC / 10,8 V CC
Potencia nominal de entrada <sup>1)</sup>	44 VA / 43 VA
Corriente nominal	4 A
Tipo de batería	Ion de litio
Entrada del cargador	100 - 240 V CA, 50 - 60 Hz
Salida del cargador	24 V CC, 135 mA, 3 VA
Tiempo de carga a partir de la advertencia de tensión baja	aprox. 4,5 h
Tipo de protección del accionamiento	IP X6 W <sup>2)</sup>
Tipo de protección del mando	IP 67 <sup>3)</sup>

Tipo de protección de todo el dispositivo	IP X6 <sup>4)</sup>
Nivel de potencia acústica	52 dB(A)

El pistón no se desactiva cuando el producto se sobrecarga. No sobrecargue el elevador de bañera para evitar daños.

<sup>1)</sup> 11,1 V CC / 44 VA válido si se utilizan mandos cuyo voltaje, indicado en la parte posterior del mando, sea de 11,1 V.  
 10,95 V CC / 44 VA válido si se utilizan mandos cuyo voltaje, indicado en la parte posterior del mando, sea de 10,95 V.  
 10,8 V CC / 43 VA válido si se utilizan mandos cuyo voltaje, indicado en la parte posterior del mando, sea de 10,8 V.

<sup>2)</sup> Protegido frente a la entrada de agua en caso de producirse fuertes chorros de agua, probado bajo condiciones meteorológicas estipuladas.

<sup>3)</sup> A prueba de polvo y protegido para evitar la entrada de agua en inmersiones temporales.

<sup>4)</sup> Protegido para evitar la entrada de agua en el caso de producirse fuertes chorros de agua.

### 10.3 Materiales

Respaldo/placa del asiento	PPGF
Fundas	PVC



Todos los materiales utilizados son resistentes a la corrosión y no contienen látex.

### 10.4 Parámetros medioambientales

Condiciones de funcionamiento	
Temperatura ambiente	De 10 a 40 °C
Humedad relativa	Del 15 % al 93 % sin condensación
Presión atmosférica	De 795 a 1060 hPa
Condiciones de envío y almacenamiento	
Temperatura ambiente	De 0 a 40 °C
Humedad relativa	Del 30 % al 75 % sin condensación
Presión atmosférica	De 795 a 1060 hPa





---

# Índice

---

Este manual TEM de ser fornecido ao utilizador do produto. ANTES de utilizar este produto, este manual DEVE ser lido e guardado para referência futura.

<b>1 Geral</b>	<b>.154</b>
1.1 Introdução	.154
1.2 Símbolos neste documento	.154
1.2.1 Outros símbolos	.155
1.3 Garantia	.155
1.4 Conformidade	.155
1.4.1 Normas específicas do produto	.155
1.5 Vida útil	.155
1.6 Limitação de responsabilidade	.156
<b>2 Segurança</b>	<b>.157</b>
2.1 Informações de segurança	.157
2.2 Informação de segurança sobre compatibilidade eletromagnética	.157
2.3 Etiquetas e símbolos no produto	.159
<b>3 Descrição geral do produto</b>	<b>.160</b>
3.1 Utilização prevista	.160
3.2 Principais peças do produto	.160
<b>4 Configuração</b>	<b>.162</b>
4.1 Informações de segurança	.162
4.2 Configurar o elevador de banheira	.162
4.3 Carregar a bateria	.166
<b>5 Utilização</b>	<b>.168</b>
5.1 Informações de segurança	.168
5.2 Controlar o elevador de banheira	.168
5.3 Tomar banho	.170
<b>6 Transporte</b>	<b>.172</b>
6.1 Informações de segurança	.172

6.2 Remover o elevador de banheira	.172
<b>7 Manutenção</b>	<b>.174</b>
7.1 Manutenção e inspeção	.174
7.2 Limpeza e desinfecção	.174
7.2.1 Informações gerais de segurança	.174
7.2.2 Intervalos de limpeza	.175
7.2.3 Instruções de limpeza	.175
7.2.4 Instruções de desinfecção	.176
<b>8 Após a utilização</b>	<b>.177</b>
8.1 Armazenamento	.177
8.2 Recondicionamento	.177
8.3 Eliminação	.177
<b>9 Resolução de problemas</b>	<b>.179</b>
9.1 Identificação e reparação de falhas	.179
<b>10 Características Técnicas</b>	<b>.181</b>
10.1 Dimensões e peso	.181
10.2 Dados eletrónicos	.181
10.3 Materiais	.182
10.4 Parâmetros ambientais	.182

# 1 Geral

## 1.1 Introdução

Este manual de utilização contém informações importantes sobre o manuseamento do produto. Para garantir a segurança durante a utilização do produto, leia atentamente o manual de utilização e siga as instruções de segurança.

Utilize este produto apenas se tiver lido e compreendido este manual. Procure aconselhamento adicional junto de um profissional de saúde que esteja familiarizado com a sua condição médica e esclareça quaisquer questões relativas à utilização correta e ao ajuste necessário com o profissional de saúde.

Tenha em atenção que este documento pode conter secções não aplicáveis ao seu produto, uma vez que se refere a todos os modelos disponíveis (à data da impressão). Salvo menção em contrário, cada secção deste documento refere-se a todos os modelos do produto.

As configurações e os modelos disponíveis no seu país podem ser encontrados em documentos de venda específicos do país.

A Invacare reserva-se o direito de alterar as especificações do produto sem aviso prévio.

Antes de ler este documento, certifique-se de que tem a versão mais recente. A versão mais recente está disponível no site da Invacare, em formato PDF.

Se o tamanho do tipo de letra no documento impresso for difícil de ler, pode transferir uma versão em PDF do manual

a partir do site. A imagem do PDF pode ser ajustada no ecrã para um tamanho de tipo de letra que lhe seja mais cómodo.

Para obter mais informações sobre o produto, por exemplo, avisos de segurança de produtos e retiradas de produtos do mercado, contacte o seu distribuidor da Invacare. Consulte os endereços no final deste documento.

Em caso de incidente grave com o produto, deve informar o fabricante e as autoridades competentes do seu país.

## 1.2 Símbolos neste documento

Este documento inclui símbolos e palavras de sinalização que se aplicam a riscos ou práticas perigosas que podem resultar em lesões pessoais ou danos materiais. Consulte as informações abaixo para obter as definições das palavras de sinalização.



### ADVERTÊNCIA

Indica uma situação perigosa que, se não for evitada, poderá resultar em morte ou em lesão grave.



### ATENÇÃO


Indica uma situação perigosa que, se não for evitada, poderá resultar em lesões menores ou ligeiras.

**!** AVISO  
Indica uma situação perigosa que, se não for evitada, poderá resultar em danos à propriedade.

**i** Sugestões e recomendações  
Fornece sugestões, recomendações e informações úteis para uma utilização eficiente e isenta de problemas.

### 1.2.1 Outros símbolos

**UKRP** Responsável no Reino Unido  
Indica que um produto não foi fabricado no Reino Unido.

 Pessoa e três setas  
Indica regras de reciclagem e separação (apenas relevante em França).

## 1.3 Garantia

Facultamos uma garantia de fabrico para o produto, em conformidade com os nossos Termos e Condições Gerais de Compra nos respetivos países. As reclamações de garantia só podem ser realizadas através do fornecedor ao qual o aparelho foi adquirido.

As capas e as ventosas não estão cobertas por esta garantia.

## 1.4 Conformidade

A qualidade é fundamental para o funcionamento da empresa, estando em conformidade com a norma ISO 13485.

Este produto apresenta a marcação CE, em conformidade com o Regulamento relativo aos Dispositivos Médicos de Classe I 2017/745.

Este produto apresenta a marcação UKCA, em conformidade com a Parte II UK MDR 2002 (tal como emendado) de Classe I

Temos empreendido um esforço contínuo para reduzir ao mínimo o impacto local e global da empresa no ambiente.

Apenas utilizamos materiais e componentes que cumprem a diretiva REACH.

Cumprimos as legislações vigentes em matéria ambiental, nomeadamente, as diretivas REEE e RoHS.

### 1.4.1 Normas específicas do produto

O produto cumpre os requisitos da norma ISO 10535 (Dispositivos de levantamento para a transferência de pessoas deficientes).

Para obter informações adicionais sobre as normas e os regulamentos locais, contacte o representante local da Invacare.

## 1.5 Vida útil

A vida útil prevista deste produto é de cinco anos, quando o mesmo é utilizado diariamente e em conformidade com as instruções de segurança, intervalos de manutenção e utilização correcta indicados neste manual. A vida útil efectiva pode variar de acordo com a frequência e intensidade de utilização.

## 1.6 Limitação de responsabilidade

A Invacare não aceita a responsabilidade por danos decorrentes de:

- Incumprimento das instruções presentes no manual de utilização
- Utilização incorreta
- Desgaste natural devido ao uso
- Montagem ou preparação incorreta pelo comprador ou por terceiros
- Modificações técnicas
- Modificações não autorizadas e/ou utilização de peças sobressalentes desadequadas

## 2 Segurança

### 2.1 Informações de segurança



#### **ADVERTÊNCIA!**

##### **Risco de lesão grave ou danos**

A utilização incorreta deste produto pode causar lesões ou danos.

- Se não compreender as advertências, avisos ou instruções, contacte um profissional de cuidados de saúde ou o fornecedor antes de tentar utilizar este equipamento.
- Não utilize este produto ou qualquer equipamento opcional disponível sem primeiro ler e compreender estas instruções e todo o material de instrução adicional.



#### **ADVERTÊNCIA!**

##### **Risco de lesão**

- Não utilizar se apresentar defeitos.
- Em caso de avaria, contacte imediatamente o seu fornecedor.
- Não faça quaisquer modificações ou alterações não autorizadas no produto.
- Nunca se coloque de pé sobre o elevador de banheira para entrar ou sair da banheira, não o utilize para apoio ao elevar-se ou ao baixar-se, como plataforma de elevação ou com qualquer objetivo semelhante.



#### **ADVERTÊNCIA!**

- Antes da primeira utilização, limpe rigorosamente o produto.
- Antes de cada utilização, verifique o produto, procurando sinais de danos e assegurando que está montado de forma segura.



#### **ATENÇÃO!**

##### **Risco de lesões**

Peças não originais ou incorretas podem afetar o funcionamento e a segurança do produto.

- Utilize apenas peças originais para o produto em utilização.
- Devido a diferenças regionais, consulte o catálogo ou o site local da Invacare relativamente às opções disponíveis ou contacte o seu distribuidor Invacare.

### 2.2 Informação de segurança sobre compatibilidade eletromagnética



#### **ADVERTÊNCIA!**

##### **Risco de avaria**

A interferência eletromagnética pode causar problemas de funcionamento.

- Não utilize este produto ao lado de ou empilhado com equipamento elétrico adicional. Se tiver de o fazer, este produto e o equipamento adicional terão de ser observados de perto para confirmar se estão a funcionar normalmente.



### **ADVERTÊNCIA!**

#### **Risco de avaria devido a interferência eletromagnética**

Podem ocorrer interferências eletromagnéticas entre este produto e outros equipamentos elétricos que podem afetar as funções de regulação elétrica deste produto. Para evitar, reduzir ou eliminar as interferências eletromagnéticas:

- Utilize apenas cabos, acessórios e peças sobressalentes originais para não aumentar as emissões eletromagnéticas nem reduzir a imunidade eletromagnética deste produto.
- Não utilize equipamentos de comunicações de radiofrequência (RF) portáteis a uma distância inferior a 30 cm de qualquer parte deste produto (incluindo cabos).
- Não utilize este produto perto de equipamento cirúrgico ativo de alta frequência, nem de uma sala de imagiologia por ressonância magnética com blindagem de RF, onde a intensidade das perturbações eletromagnéticas é alta.
- Se ocorrerem perturbações, aumente a distância entre este produto e o outro equipamento ou desligue o equipamento.



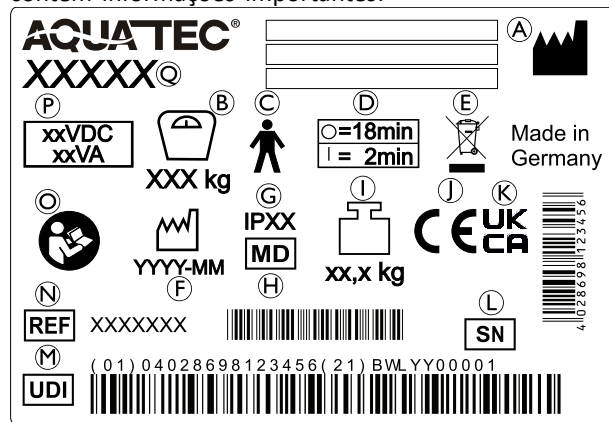
Não temos conhecimento de qualquer risco ao utilizar produtos como um pacemaker cardíaco.

As diretrizes e a declaração do fabricante relacionadas com emissões eletromagnéticas e imunidade estão disponíveis a pedido junto da Invacare no seu país.

## 2.3 Etiquetas e símbolos no produto

### Placa de características

A etiqueta com identificação (impressa a azul) também contém informações importantes:



- Ⓐ Fabricante e morada do fabricante
- Ⓑ Peso máximo do utilizador
- Ⓒ Peça aplicada de tipo B
- Ⓓ Intervalo de utilização (o funcionamento contínuo do motor não é permitido): utilização contínua durante um máximo de 2 minutos seguida de uma pausa de 18 minutos
- Ⓔ Conformidade com a diretiva REEE
- Ⓕ Data de fabrico

- Ⓖ Tipo de proteção
- Ⓕ Dispositivo médico
- Ⓖ Peso do produto
- Ⓖ Conformidade Europeia
- Ⓖ Avaliação de conformidade do Reino Unido
- Ⓖ Número de série
- Ⓖ Identificador único do dispositivo
- Ⓖ Número de referência
- Ⓖ Ler o manual de utilização
- Ⓖ Tensão nominal/potência nominal, consulte *10 Características Técnicas, página 181*
- Ⓖ Designação do produto



A etiqueta com identificação está colocada na parte posterior do encosto.

### Outras etiquetas no produto



A etiqueta (símbolo branco com fundo azul) indica a posição em que o utilizador tem de pressionar o encosto para baixo ao dobrar o mesmo para cima. Consulte *4 Configuração, página 162*

## 3 Descrição geral do produto

### 3.1 Utilização prevista

Aquatec ORCA, ORCA F e ORCA XL são elevadores de banheira alimentados a bateria que auxiliam a entrada ou saída da banheira.

São constituídos por uma placa de assento (com abas laterais integradas) com superfície antiderrapante e um comando que controla o movimento do assento, para cima e para baixo. Os modelos ORCA e ORCA XL têm um encosto rígido que pode ser baixado. O modelo ORCA F tem um encosto fixo. Estão disponíveis vários componentes opcionais, tais como capas do assento e do encosto.

#### Utilizadores previstos

Os utilizadores são pessoas com mobilidade restrita ou limitada. Se for utilizado sem um assistente, os utilizadores devem ser capazes de manter o equilíbrio.

#### Indicações

- Mobilidade restrita ou limitada (por exemplo, pernas e/ou ancas) ou
- problemas de equilíbrio ao pôr-se de pé ou caminhar devido a incapacidades transitórias ou permanentes.

Não existem nenhuma(s) contraindicação(s) conhecidas quando o produto é utilizado da forma prevista. Para saber o peso máximo do utilizador, consulte *10 Características Técnicas, página 181*

### 3.2 Principais peças do produto

Os seguintes componentes são incluídos na entrega:

#### Comando e carregador

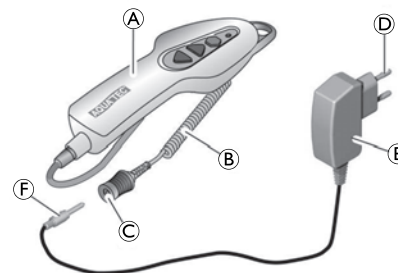


Fig. 3-1

(A)	Comando com bateria	(D)	Ficha de alimentação
(B)	Cabo em espiral	(E)	Carregador
(C)	Tomada de ficha jack	(F)	Ligação jack



## Assento

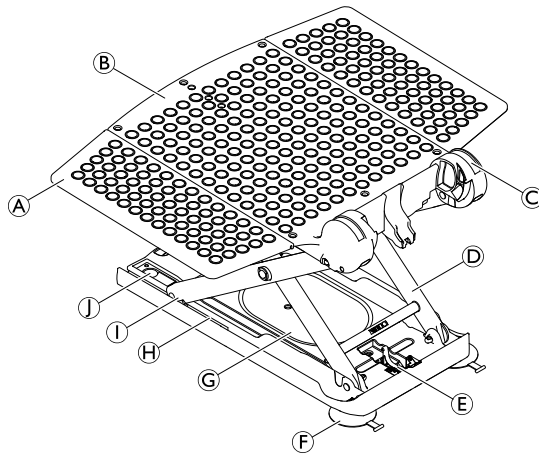


Fig. 3-2

Ⓐ	Aba lateral	Ⓕ	Ventosas posteriores (com rosca)
Ⓑ	Placa de assento	Ⓖ	Placa de base
Ⓒ	Articulação do encosto	Ⓖ	Calha para a superfície de deslizamento
Ⓓ	Tesouras de elevação	Ⓖ	Superfície de deslizamento
Ⓔ	Retentor do suporte do eixo	Ⓖ	Ventosas dianteiras (uma lingueta com cabeça)

## Encosto

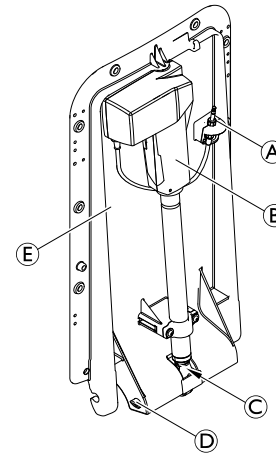


Fig. 3-3

Ⓐ	Ligação jack	Ⓓ	Pino de bloqueio
Ⓑ	Drive (Tração)	Ⓔ	Placa, encosto
Ⓒ	Suporte do eixo		

## 4 Configuração

### 4.1 Informações de segurança



#### Risco de danos

- Verifique todas as peças para determinar se ocorreram danos no transporte e efetue uma verificação antes da utilização. Contacte o seu fornecedor, se necessário.
- Durante a montagem, certifique-se de que as peças estão posicionadas corretamente em relação umas às outras.
- Recomenda-se a lavagem das capas antes da primeira utilização. Consulte 7.2 *Limpeza e desinfeção*, página 174

### 4.2 Configurar o elevador de banheira



#### ADVERTÊNCIA!

#### Risco de desliz

- O elevador de banheira pode escorregar se as ventosas não estiverem a agarrar com firmeza.
- Limpe a banheira e as ventosas com um pano húmido antes de configurar o elevador de banheira.
  - Não modifique a posição do elevador de banheira na banheira depois de o mesmo estar configurado.



#### ADVERTÊNCIA!

#### Risco de lesões e danos!

- Instale o elevador de banheira apenas em banheiras que estejam em conformidade com as especificações da tabela seguinte.
- Se extravasar água pelos lados da banheira, utilize as abas laterais especiais opcionais.

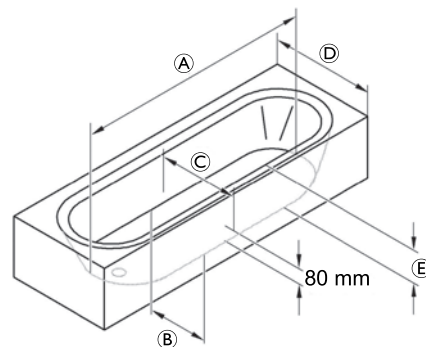


Fig. 4-1

Ⓐ	Comprimento do tubo, base	≥ 800 mm
Ⓑ	Largura do tubo, base (interior)	≥ 280 mm
Ⓒ	Largura do tubo, com altura de 80 mm (interior)	≥ 430 mm
Ⓓ	Largura do tubo (exterior)	700 - 740 mm <sup>1)</sup>
Ⓔ	Altura do tubo (interior)	≤ 420 mm <sup>2)</sup>

- 1) 580 - 690 mm ou 750 - 1000 mm com abas laterais especiais (opcional)
- 2) (com adaptador de altura máx. + 60 mm)

### ! Risco de danos

- Assegure que as ventosas estão instaladas corretamente.
- Assegure que a bateria no comando está carregada.
- Ao levantar componentes do elevador de banheira, não se esqueça de avaliar corretamente os pesos. Consulte *10.1 Dimensões e peso, página 181*
- Se a banheira tiver um corrimão montado no interior, utilize os separadores de aba lateral opcionais.

1.

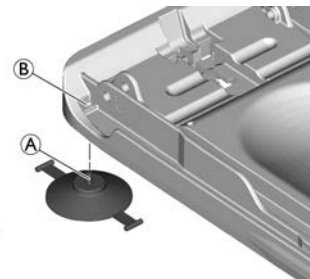


Fig. 4-2

Coloque a ventosa posterior com parafuso roscado (A) na porca da manga (B) e aparafuse. Aparafuse o máximo possível, desde que a ventosa corresponda à orientação na figura.

2.

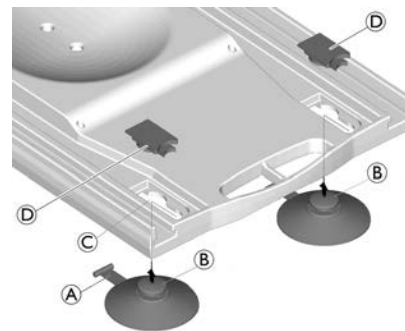


Fig. 4-3

Introduza a patilha (A) através do orifício de fechadura (C) e coloque-a na reentrância correspondente. Introduza a cabeça da ventosa (B) no orifício (C) e puxe a ventosa para a frente. Fixe a ventosa com a tampa vermelha (D).

3.

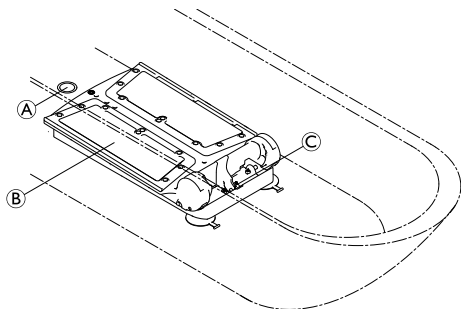


Fig. 4-4

Coloque o assento ② na base da banheira vazia. Assegure que o retedor do suporte do eixo ③ está orientado na direção da extremidade da banheira, no sentido oposto ao ralo ①.

4.

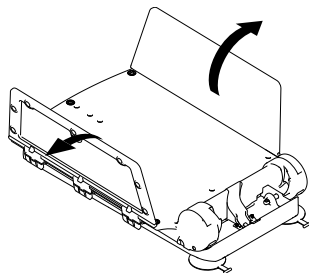


Fig. 4-5

Dobre as abas laterais do assento para fora.

5.



**AVISO!**

– Certifique-se de que as abas laterais estão dobradas para fora antes de colocar encosto no assento.

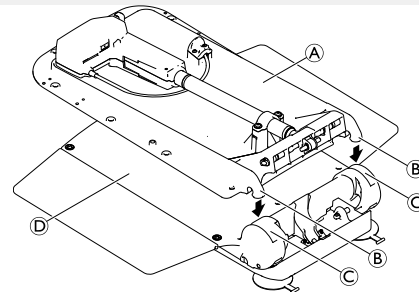


Fig. 4-6

Coloque o encosto ① (sem o comando) no assento de forma que os ganchos ② do encosto fiquem encaixados nas dobradiças ③ da placa de assento ④.

6.

**Risco de danos**

Danos no produto causados pelo deslizamento do suporte do eixo.

- Assegure que o suporte do eixo está completamente retraído, que está nivelado e que não está torcido, antes de dobrar o encosto para cima.
- Depois de o encosto ser dobrado para cima, assegure que o suporte do eixo está no respetivo retentor.

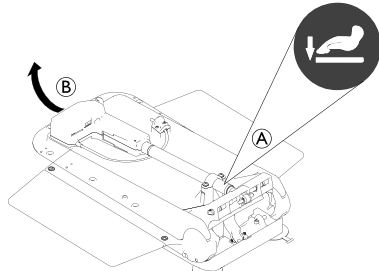


Fig. 4-7

Com uma mão, pressione o encosto para baixo sobre a placa de assento na posição da etiqueta **A** para engatar os ganchos nas dobradiças.

7. Continuando a pressionar ligeiramente o encosto para baixo, conforme descrito no passo 6, mantenha o encosto ao centro da extremidade da cabeça **B** e dobre o encosto cuidadosamente para cima até à posição final.

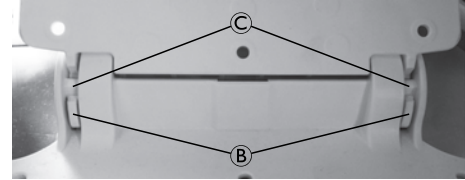
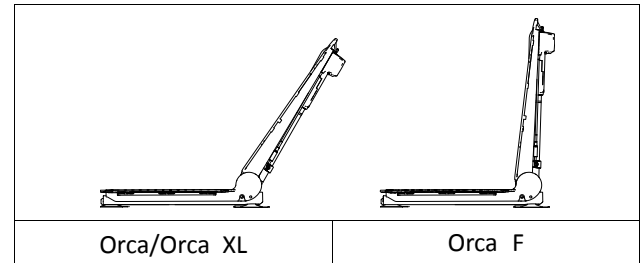


Fig. 4-8

**Risco de danos**

Danos no produto devido a montagem incorreta do encosto.

- Certifique-se de que ambos os ganchos **B** do encosto engatam nas dobradiças **C** da placa de assento.
- Certifique-se de que o encosto está rebatido até à posição final sem exercer força e resistência visível. A posição final é indicada no gráfico seguinte.



8.

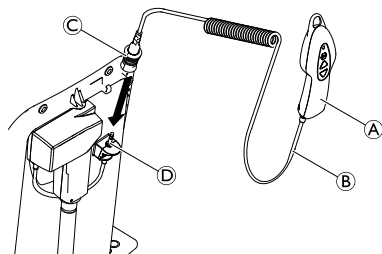


Fig. 4-9

Para ligar o comando (A) com o elevador de banheira, ligue a tomada de ficha jack com a manga de desbloqueio (C) à ligação jack (D) até que o mecanismo de bloqueio fique visivelmente engatado.

#### ! Risco de danos

- Certifique-se de que o encosto não toca na extremidade da banheira.
- Se necessário, coloque o elevador de banheira ainda mais para a frente na banheira. Para colocar o elevador de banheira ainda mais para a frente na banheira, baixe o elevador de banheira até ao fundo, solte as ventosas e, em seguida, desloque o elevador de banheira.

### 4.3 Carregar a bateria

O elevador de banheira não pode ser utilizado quando a bateria está a carregar.



#### ADVERTÊNCIA!

##### Risco de choque elétrico

- Recarregue a bateria apenas em divisões secas à temperatura ambiente (15 °C a 25 °C) e nunca na casa de banho.



##### Risco de danos

- Utilize apenas o carregador fornecido para carregar a bateria no comando.
- Ligue o carregador à rede elétrica apenas quando o comando estiver ligado ao carregador.
- Certifique-se de que as especificações de tensão apresentadas no carregador correspondem às especificações da rede elétrica.

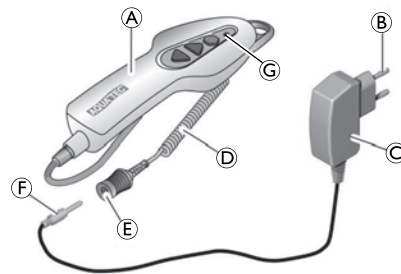


Fig. 4-10

1. Insira a ligação jack (F) do carregador (C) na tomada de ficha jack (E) do cabo em espiral (D) do comando (A) até ficar engatada.
2. Insira a ficha de alimentação (B) do carregador na tomada.



A luz indicadora vermelha © do comando apaga-se quando a bateria está suficientemente carregada para a utilização seguinte. Não é possível sobrecarregar a bateria.

3. Desligue o carregador da tomada.
4. Puxe a ligação jack do carregador para fora da tomada de ficha jack do comando.

## 5 Utilização

### 5.1 Informações de segurança



#### ATENÇÃO!

##### Risco de lesões ou danos

A humidade pode penetrar num comando danificado, o que pode provocar um curto-circuito e incêndio.

- Antes de cada utilização, realize sempre uma inspeção visual do produto, procurando sinais de danos exteriores.
- Se a caixa do comando estiver danificada ou apresentar fissuras, não o utilize.



#### ATENÇÃO!

##### Risco de trilhadeira

- Não insira os dedos na calha entre a placa do assento e o encosto.
- Não coloque os dedos por baixo da placa de assento ou entre as tesouras de elevação.



##### Risco de danos

Sobrecarregar o elevador de banheira pode causar danos ao dispositivo ou impedir a elevação.

- Não sobrecarregue o elevador de banheira e tenha em atenção as especificações na etiqueta com identificação ou consulte *10 Características Técnicas, página 181* com vista à capacidade de carga.



Recarregue a bateria regularmente. Consulte *4.3 Carregar a bateria em 4 Configuração, página 162*



Para mais informações sobre as condições de funcionamento, consulte *10.4 Parâmetros ambientais, página 182*

### 5.2 Controlar o elevador de banheira

O elevador de banheira move-se nas seguintes direções:



Fig. 5-1

O elevador de banheira é controlado através do comando, pelo utilizador ou por um assistente.



Com uma bateria completamente carregada, o ORCA e ORCA F conseguem realizar 5 operações de banho com uma carga de 140 kg. O ORCA XL consegue realizar 4 operações de banho com uma carga de 170 kg.



- Ⓐ Botão de paragem de emergência
- Ⓑ Botão Para cima
- Ⓒ Comando
- Ⓓ Botão Para baixo
- Ⓔ Luz indicadora

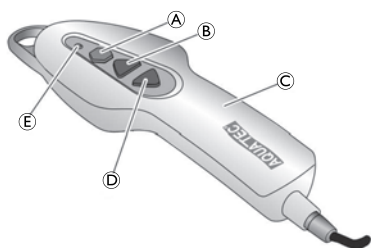


Fig. 5-2

### ! Risco de danos

– O comando só pode ser utilizado quando o encosto está corretamente instalado e na posição vertical.

**i** Se a bateria no comando **Ⓒ** não estiver suficientemente carregada, a luz indicadora **Ⓔ** acende-se quando o botão Para baixo **Ⓓ** é premido. Neste caso, a função de abaixamento do elevador de banheiro é desativada. No entanto, continua a poder elevar o elevador.

1. Recarregue a bateria imediatamente depois de elevar o elevador de banheiro.

### Elevar o elevador de banheiro

**i** Se o encosto estiver baixado, irá mover-se primeiro para a posição vertical (não se aplica ao modelo ORCA F).

1. Prima o botão Para cima **Ⓑ** no comando e mantenha-o premido.  
O encosto move-se para a posição vertical ou o assento move-se para cima.
2. Solte o botão Para cima no comando.  
O elevador de banheiro fica parado na posição atual.

### Baixar o elevador de banheiro

**i** Se o assento já tiver descido, o encosto baixa para trás (exceto no modelo ORCA F).

1. Prima o botão Para baixo **Ⓓ** no comando e mantenha-o premido.  
O assento move-se para baixo ou o encosto inclina-se para trás.
2. Solte o botão Para baixo no comando manual.  
O elevador de banheiro fica parado na posição atual.


### Botão de paragem de emergência

#### ! Risco de danos

Prima o botão de paragem de emergência **Ⓐ** apenas se o dispositivo não parar imediatamente quando o botão Para cima ou Para baixo for solto (por exemplo, se um botão ficar preso). O movimento do elevador de banheiro é interrompido imediatamente e a luz indicadora no comando acende-se.

Se o dispositivo de elevação deixar de responder ao pressionar os botões Para cima ou Para baixo depois de libertar o botão de paragem de emergência, o erro não foi corrigido. O dispositivo não está pronto a ser utilizado

e deve ser reparado, por exemplo, em caso de danos nos componentes eletrónicos.

 Contacte o seu fornecedor, se necessário.

### 5.3 Tomar banho



#### ADVERTÊNCIA!

##### Risco de deslize

O elevador de banheira pode escorregar se as ventosas não estiverem a agarrar com firmeza.

- Antes de utilizar o elevador de banheira assegure que este está posicionado com segurança e não pode tombar.
- Certifique-se de que o elevador de banheira está montado numa banheira com as dimensões corretas. Consulte 4.2 *Configurar o elevador de banheira*, página 162



#### ADVERTÊNCIA!

##### Risco de lesões

- Se a sua condição o impedir de tomar banho sozinho, utilize o dispositivo apenas com supervisão.
- Se utilizar o dispositivo sem supervisão, certifique-se de que tem um sistema de alarme ou telefone ao seu alcance, em caso de acontecimentos imprevistos (por exemplo, avarias).



#### Risco de danos

Os óleos ou sais de banho podem comprometer o desempenho das tesouras de elevação.

- Se utilizar este tipo de suplementos de banho, não ultrapasse a dose recomendada.




Mova o elevador sem carga até ao cimo e para baixo (teste de função).

1. Mantenha pressionado o botão Para cima até que o assento esteja ao nível da extremidade da banheira.
2. Certifique-se de que as abas laterais estão ao nível do assento e que ficam em posição plana sobre a extremidade da banheira (posição inicial).
3. Encha a banheira de água.
4. Sente-se na aba lateral mais próxima de si como se estivesse numa cadeira.
5. Deslize para trás até ficar sentado no meio do assento.
6. Coloque-se na posição de banho, elevando uma perna de cada vez sobre a extremidade da banheira.
7. Quando estiver sentado corretamente, prima sem soltar o botão Para baixo para baixar o assento na banheira.



Assim que o assento tiver chegado à posição mais baixa, é possível reclinar o encosto continuando a pressionar o botão Para baixo. Assim, o utilizador tem uma posição de banho mais confortável e pode ficar imerso em mais água do banho (não se aplica ao modelo ORCA F).

8. Mantenha o botão Para baixo premido até que o encosto tenha chegado à posição pretendida.

 Para sair da banheira, siga estes passos pela ordem inversa.

9. Para elevar o encosto ou o elevador de banheira, prima sem soltar o botão Para cima até o assento se encontrar ao mesmo nível da extremidade da banheira.



#### **Risco de danos**

- Desligue o comando do dispositivo quando o elevador de banheira não estiver a ser utilizado. Consulte *6.2 Remover o elevador de banheira, página 172*, passo 3.

## 6 Transporte

### 6.1 Informações de segurança



#### Risco de danos

- Consulte as condições de armazenamento e transporte na secção 10.4 *Parâmetros ambientais*, página 182
- O encosto não fica engatado no assento quando está dobrado, podendo desprender-se.
- Não retire as ventosas quando transportar o elevador de banheira.



O chassis de base, com a placa de assento e encosto, pode ser desmontado para transporte.

### 6.2 Remover o elevador de banheira

1. Escorra a água da banheira.
2. Baixe o elevador de banheira utilizando o botão Para baixo até que o encosto fique parado na posição final mais baixa. Consulte 5.2 *Controlar o elevador de banheira*, página 168
3. Desprenda a tomada de ficha jack no cabo em espiral do comando empurrando a manga de desbloqueio e retire-a da ligação jack.

4.

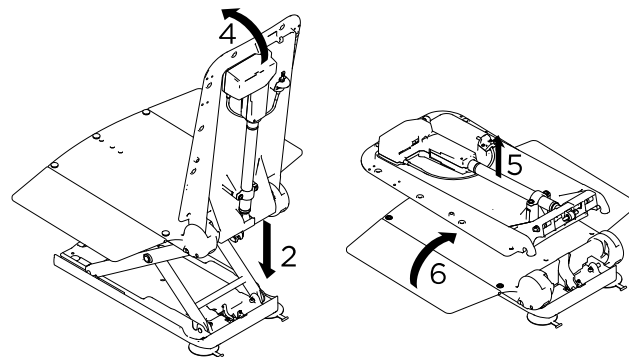


Fig. 6-1

Fixe o encosto na extremidade da cabeça e dobre o encosto lentamente para a frente até à posição final.



#### Risco de danos

- Não dobre o encosto para baixo se houver água na banheira.
- Antes de dobrar o encosto para baixo, certifique-se de que o encosto está completamente na posição baixa.
- Quando dobrar o encosto para baixo, assegure que o cabo em espiral do comando manual não fica preso.

5. Retire o encosto do assento e da banheira.
6. Dobre as abas laterais do assento para dentro.

7.

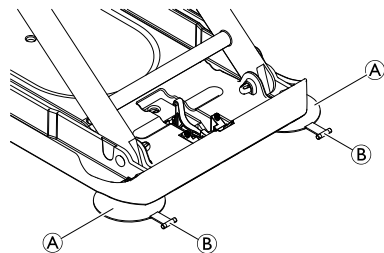



Fig. 6-2

Solte as ventosas posteriores ① simultaneamente, puxando as presilhas salientes ②.

8. Levante a parte posterior do assento ligeiramente. Deste modo, solta as ventosas dianteiras.

 Se os adaptadores de altura tiverem sido instalados (opcional), também tem de puxar as presilhas das ventosas dianteiras para as soltar.

9. Retire o chassis da base com placa de assento da banheira.

## 7 Manutenção

### 7.1 Manutenção e inspeção

Se as recomendações de limpeza e segurança forem respeitadas, o produto não exige manutenção.



#### Risco de danos

- O comando só pode ser aberto pelo fabricante do elevador de banheira.

1. Verifique o produto regularmente, procurando sinais de danos e assegurando que está montado de forma segura.
2. Se ocorrerem danos e/ou necessidade de reparações, contacte imediatamente o fornecedor.
3. O elevador de banheira tem de ser verificado por um fornecedor autorizado antes de cada reutilização. Recomenda-se a verificação do elevador de banheira o mais tardar após 24 meses (em conformidade com a norma DIN EN ISO 10535).
4. Se o elevador de banheira não for utilizado durante um período prolongado, carregue a bateria completamente e eleve e baixe o elevador de banheira 3 vezes sem carga. Repita este processo de 3 em 3 meses. Deste modo, ajuda a conservar a vida útil da bateria.

## 7.2 Limpeza e desinfeção

### 7.2.1 Informações gerais de segurança



#### ATENÇÃO!

##### Risco de contaminação

- Tome precauções pessoais e utilize equipamento de proteção apropriado.



#### AVISO!

Métodos ou fluidos errados podem prejudicar ou danificar o produto.

- Todos os agentes de limpeza e desinfetantes utilizados devem ser eficazes, compatíveis entre si e passíveis de proteger os materiais aos quais são aplicados para limpeza.
- Nunca utilize líquidos corrosivos (alcalinos, ácidos, etc.) ou agentes de limpeza abrasivos. Recomenda-se a utilização de um agente de limpeza doméstico comum, como o detergente de lavar a louça.
- Nunca utilize um solvente (diluyente celulósico, acetona, etc.) que altere a estrutura do plástico ou dissolva as etiquetas afixadas.



Para a limpeza e desinfeção em ambientes de cuidados clínicos ou de longa duração, siga os procedimentos internos.

### 7.2.2 Intervalos de limpeza



#### AVISO!

A limpeza e a desinfeção regulares melhoram o funcionamento correto, aumentam a vida útil e evitam a contaminação.

Limpe e desinfete o produto:

- regularmente enquanto está a ser utilizado,
- antes e depois de qualquer operação de assistência,
- depois de ter estado em contacto com quaisquer fluidos corporais,
- e antes da sua utilização por um novo utilizador.

### 7.2.3 Instruções de limpeza

#### Limpar o assento e o encosto



#### ATENÇÃO!

##### Risco de trilhadeira

- Tenha especial cuidado quando limpar a área das tesouras de elevação, uma vez que estas se podem mover e causar lesões.



#### Risco de danos

- Nunca utilize um dispositivo de limpeza de alta pressão para limpar o encosto.

1. Lave o produto com um pano ou uma escova.
2. Enxague o produto com água quente.

3. Seque o produto com um pano.
4. Lubrifique levemente a calha para a superfície de deslizamento (consulte a Fig. 3.2, etiqueta ⓘ na secção 3.2 *Principais peças do produto, página 160*) utilizando vaselina.

#### Limpar as capas (opcional)



Recomenda-se a lavagem das capas antes da primeira utilização. Por motivos de higiene, recomenda-se a limpeza regular das capas e a mudança das capas anualmente.

1. Desabotee as capas do assento e do encosto.
2. Lave as capas na máquina a uma temperatura máxima de 60 °C, usando um detergente suave.



#### Risco de danos

- A lavagem a temperaturas elevadas pode causar danos ou o encolhimento da capa.
- Não seque as capas numa máquina de secar roupa.

## Limpar o carregador e o comando



### **ADVERTÊNCIA!**

#### **Risco de choque elétrico**

- Desligue sempre a ficha da tomada antes de limpar o carregador.
- Nunca insira objetos feitos de materiais condutores (por exemplo, agulhas de coser, pinos de metal) na tomada de ficha jack do comando.
- Nunca utilize um pano molhado ou húmido para limpar o carregador.



### **ATENÇÃO!**

#### **Risco de choque elétrico e danos no produto**

- Desligue o dispositivo e desligue o cabo da tomada elétrica, se aplicável.
- Quando limpar componentes eletrônicos, tenha em conta a respetiva classe de proteção quanto à entrada de água.
- Certifique-se de que evita quaisquer salpicos de água na ficha ou tomada de parede.
- Não toque na tomada com as mãos molhadas.

1. Limpe o carregador com um pano seco.
2. Limpe o comando com um pano húmido.
3. Seque o comando com um pano.

### **7.2.4 Instruções de desinfeção**

Método: Siga as notas de aplicação para o desinfetante utilizado e desinfete todas as superfícies acessíveis com toalhetes.

Desinfetante: Desinfetante doméstico comum.

Secar: Deixe o produto secar ao ar.



## 8 Após a utilização

### 8.1 Armazenamento



#### Risco de danos

- Não armazene o produto junto a fontes de calor.
- Não armazene a bateria junto a chamas abertas.
- Não exponha o produto a luz solar direta.
- Consulte as condições de armazenamento e transporte na secção *10.4 Parâmetros ambientais, página 182*

### 8.2 Recondicionamento

Este produto é adequado para reutilização. Para o recondicionamento do produto para um novo utilizador, execute as seguintes ações:

- Inspeção
- Limpeza e desinfeção

Para obter informações detalhadas, consulte o capítulo *7 Manutenção, página 174* e o manual de assistência para este produto.

Certifique-se de que o manual de utilização é fornecido com o produto.

Se forem detetados danos ou avarias, não reutilize o produto.

### 8.3 Eliminação



#### ADVERTÊNCIA!

##### Perigo ambiental

- O dispositivo contém baterias. Este produto pode conter substâncias que podem ser prejudiciais para o ambiente, se for eliminado em locais (aterros) que não estejam em conformidade com a legislação.
- NÃO elimine as baterias juntamente com o lixo doméstico comum.
  - NÃO atire baterias para o fogo.
  - As baterias TÊM DE ser entregadas a uma instalação de eliminação adequada. A devolução das baterias é exigida por lei e gratuita.
  - Elimine apenas baterias descarregadas.
  - Tape os terminais das baterias de lítio antes da eliminação.
  - Para obter informações sobre o tipo de bateria, consulte a etiqueta da bateria ou o capítulo *10 Características Técnicas, página 181*

Seja amigo do ambiente e recicle este produto no fim da respetiva vida útil através das instalações de reciclagem existentes.

Desmonte o produto e os seus componentes, para que os diferentes materiais possam ser separados e reciclados individualmente.

A eliminação e a reciclagem de produtos utilizados e da embalagem devem cumprir as leis e os regulamentos relativos à gestão de resíduos de cada país. Para obter

informações, contacte a sua empresa de gestão de resíduos local.

## 9 Resolução de problemas

### 9.1 Identificação e reparação de falhas



A tabela seguinte faculta informações sobre avarias e as suas causas possíveis. Se não conseguir corrigir a avaria utilizando as soluções indicadas, contacte o seu fornecedor diretamente.

Falha	Causa possível	Solução
Não se ouve ruído a partir do motor/o elevador não se move.	A tomada de ficha jack do comando não está engatada corretamente.	Engate a tomada de ficha jack, → 4.2 <i>Configurar o elevador de banheira, página 162</i>
	A bateria está sem energia.	Recarregue a bateria completamente, → 4.3 <i>Carregar a bateria, página 166</i>
	Os contactos estão sujos.	Limpe a ligação no encosto.
	O cabo está esmagado/danificado.	Substitua o comando, → contacte o seu fornecedor.
O elevador sobe, mas não desce.	A proteção de baixa tensão está ativada.	Recarregue a bateria completamente, → 4.3 <i>Carregar a bateria, página 166</i>
O elevador para enquanto está a subir.	Carga excessiva.	Tenha em atenção a carga máxima, → 10.1 <i>Dimensões e peso, página 181</i>
O elevador de banheira não está a aderir com segurança à banheira.	As ventosas estão velhas ou danificadas.	Substitua as ventosas, → contacte o seu fornecedor.
A bateria não está a carregar e a luz indicadora vermelha pisca durante o carregamento.	Componentes eletrónicos avariados.	Solicite ao seu fornecedor autorizado a verificação do comando.
	Bateria avariada.	Substitua o comando, → contacte o seu fornecedor.

<b>Falha</b>	<b>Causa possível</b>	<b>Solução</b>
	Carregador avariado.	Solicite ao seu fornecedor autorizado a verificação do carregador.
	A bateria está demasiado quente.	Mantenha o comando afastado de fontes de calor. O carregamento continuará automaticamente assim que a temperatura baixar até limites admissíveis.

## 10 Características Técnicas

### 10.1 Dimensões e peso

Comprimento total na posição mais baixa	920 mm
Comprimento total na posição mais elevada	650 mm
Altura total na posição mais elevada	1075 mm
Comprimento do assento	590 mm
Largura do assento com as abas laterais dobradas para fora	715 mm
Largura do assento com as abas laterais dobradas para dentro	390 mm
Altura do assento na posição mais baixa	60 mm
Altura do assento na posição mais elevada	420 mm
Largura do encosto	360 mm
Ângulo mínimo do encosto	8°
Largura da placa de base	295 mm
Carga máx. (ORCA / ORCA F) Carga máx. (ORCA XL)	140 kg 170 kg
Peso total sem o comando manual (ORCA) (ORCA F) (ORCA XL)	10,8 kg 11,4 kg 11,6 kg
Peso do assento (ORCA) (ORCA F) (ORCA XL)	6,6 kg 7,2 kg 7,4 kg

Peso do encosto (ORCA / ORCA F / ORCA XL)	4,2 kg
Peso do comando manual	0,4 kg
Peso do carregador	0,1 kg

### 10.2 Dados eletrônicos

Força de ativação dos botões do comando	< 5 N
Tensão de funcionamento do comando <sup>1)</sup>	11,1 VCC / 10,95 VCC / 10,8 VCC
Corrente de entrada nominal <sup>1)</sup>	44 VA/43 VA
Corrente nominal	4 A
Tipo de bateria	Iões de lítio
Entrada do carregador	100 - 240 VCA, 50 - 60 Hz
Saída do carregador	24 VCC, 135 mA, 3 VA
Tempo de carregamento a partir da advertência de tensão baixa	aprox. 4,5 h
Tipo de proteção, tração	IP X6 W <sup>2)</sup>
Tipo de proteção, comando	IP 67 <sup>3)</sup>
Tipo de proteção, dispositivo completo	IP X6 <sup>4)</sup>
Nível de potência sonora	52 dB(A)

O atuador não se desliga quando o produto está com sobrecarga. Não sobrecarregue o elevador de banheira para evitar danos.

1) 11,1 VCC/44 VA é válido ao utilizar comandos com tensão de 11,1 V, indicada na parte de trás do comando.

10,95 VCC/44 VA é válido ao utilizar comandos com tensão de 10,95 V, indicada na parte de trás do comando.

10,8 VCC/43 VA é válido ao utilizar comandos com tensão de 10,8 V, indicada na parte de trás do comando.

2) Protegido contra a entrada de água na eventualidade de fortes jatos de água, testado sob condições meteorológicas estipuladas.

3) À prova de pó e protegido contra a entrada de água durante imersão temporária.

4) Protegido contra a entrada de água na eventualidade de fortes jatos de água.

### 10.3 Materiais

Encosto/Placa de assento	PP/FV
Capas	PVC (policloreto de vinilo)



Todos os materiais utilizados são resistentes à corrosão e isentos de látex.

### 10.4 Parâmetros ambientais

Condições de funcionamento	
Temperatura ambiente	10 - 40 °C

Humidade relativa	15% - 93%, sem condensação
Pressão atmosférica	795 - 1060 hPa
Condições de transporte e armazenamento	
Temperatura ambiente	0 - 40 °C
Humidade relativa	30% - 75%, sem condensação
Pressão atmosférica	795 - 1060 hPa

# Inhoudsopgave

Deze handleiding dient te worden overhandigd aan de gebruiker van het product. Lees deze handleiding VÓÓR u het product gebruikt en bewaar hem voor eventuele raadplegingen in de toekomst.

<b>1 Algemeen</b>	<b>.184</b>
1.1 Inleiding	.184
1.2 Symbolen in dit document.	.184
1.2.1 Overige symbolen	.185
1.3 Garantie	.185
1.4 Naleving	.185
1.4.1 Productspecifieke normen	.185
1.5 Levensduur	.185
1.6 Aansprakelijkheidsbeperking	.185
<b>2 Veiligheid</b>	<b>.187</b>
2.1 Veiligheidsinformatie	.187
2.2 Veiligheidsinformatie over elektromagnetische compatibiliteit.	.188
2.3 Labels en symbolen op het product	.189
<b>3 Productoverzicht</b>	<b>.190</b>
3.1 Beoogd gebruik.	.190
3.2 Voornaamste onderdelen van het product	.190
<b>4 Montage</b>	<b>.192</b>
4.1 Veiligheidsinformatie	.192
4.2 De badlift monteren	.192
4.3 Accu wordt opgeladen.	.196
<b>5 Gebruik</b>	<b>.198</b>
5.1 Veiligheidsinformatie	.198
5.2 De badlift bedienen.	.198
5.3 In bad gaan.	.200
<b>6 Transport</b>	<b>.202</b>
6.1 Veiligheidsinformatie	.202

6.2 De badlift verwijderen.	.202
<b>7 Onderhoud</b>	<b>.204</b>
7.1 Onderhoud en inspectie	.204
7.2 Reiniging en desinfectie.	.204
7.2.1 Algemene veiligheidsinformatie	.204
7.2.2 Reinigingsintervallen.	.205
7.2.3 Reinigingsinstructies.	.205
7.2.4 Instructies voor desinfecteren.	.206
<b>8 Na gebruik</b>	<b>.207</b>
8.1 Opslag	.207
8.2 Geschikt maken voor hergebruik	.207
8.3 Afvoeren.	.207
<b>9 Problemen oplossen</b>	<b>.209</b>
9.1 Storingen identificeren en oplossen	.209
<b>10 Technische Specificaties</b>	<b>.211</b>
10.1 Afmetingen en gewicht	.211
10.2 Elektronische gegevens	.211
10.3 Materialen	.212
10.4 Omgevingsparameters	.212

# 1 Algemeen

## 1.1 Inleiding

Deze gebruikershandleiding bevat belangrijke informatie over het gebruik van dit product. Lees de gebruikershandleiding aandachtig door en volg de veiligheidsinstructies, zodat u zeker weet dat u het product veilig gebruikt.

Gebruik dit product alleen als u deze handleiding hebt gelezen en begrepen. Ga voor meer informatie over het product en bij vragen over het juiste gebruik en eventuele aanpassing van het product naar een professionele zorgverlener die vertrouwd is met uw medische aandoening.

Omdat dit document betrekking heeft op alle beschikbare modellen (op de datum waarop dit document is gedrukt), zijn mogelijk niet alle delen relevant voor uw product. Indien niet expliciet anders wordt vermeld, verwijst elk hoofdstuk in dit document naar alle modellen van het product.

De modellen en uitvoeringen die in uw land beschikbaar zijn, zijn te vinden in de verkoopdocumenten van het desbetreffende land.

Invacare behoudt zich het recht voor om productspecificaties zonder voorafgaande kennisgeving te wijzigen.

Controleer voordat u dit document leest of u de laatste versie hebt. De meest recente versie vindt u als pdf-bestand op de Invacare-website.

Als u de lettergrootte in de gedrukte versie van het document moeilijk kunt lezen, kunt u de pdf-versie downloaden van de website. In de pdf-versie kunt u de letters op het scherm aanpassen tot een grootte die u prettiger vindt.

Neem voor meer informatie over het product, bijvoorbeeld meldingen over productveiligheid en teruggeroepen producten, contact op met uw Invacare-distributeur. Zie de adressen achter in dit document.

In geval zich een ernstig incident met het product voordoet, dient u de fabrikant en de bevoegde instantie in uw land daarvan op de hoogte te brengen.

## 1.2 Symbolen in dit document

In dit document worden symbolen en signaalwoorden gebruikt die van toepassing zijn op gevaren of onveilige handelingen die kunnen leiden tot persoonlijk letsel of schade aan eigendommen. Zie de onderstaande informatie voor de definities van de symbolen.



### WAARSCHUWING

Duidt op een gevaarlijke situatie die kan leiden tot ernstig letsel of overlijden als de situatie niet wordt vermeden.



### LET OP

Duidt op een gevaarlijke situatie die kan leiden tot licht of klein letsel als de situatie niet wordt vermeden.



**!** **KENNISGEVING**  
Duidt op een gevaarlijke situatie die kan leiden tot schade aan eigendommen als de situatie niet wordt vermeden.

**i** **Tips en adviezen**  
Hier worden nuttige tips, adviezen en informatie voor efficiënt, probleemloos gebruik gegeven.

### 1.2.1 Overige symbolen

**UKRP** Verantwoordelijke persoon in het VK  
Geeft aan of een product wel of niet in het Verenigd Koninkrijk is geproduceerd.



**Triman**  
Wijst op de regels voor recyclen en sorteren (alleen voor Frankrijk).

## 1.3 Garantie

Wij bieden voor dit product een fabrieksgarantie in overeenstemming met onze Algemene Voorwaarden in de respectievelijke landen. Garantieclaims kunnen alleen worden ingediend via de leverancier bij wie u het apparaat hebt gekocht.

Hoezen en zuignappen vallen niet onder deze garantie.

## 1.4 Naleving

Kwaliteit is cruciaal bij onze bedrijfsactiviteiten, waarbij wordt gewerkt binnen de normen van ISO 13485.

Dit product is voorzien van het CE-merkteken conform Verordening 2017/745 betreffende medische hulpmiddelen, klasse 1.

Dit product is voorzien van het UKCA-merkteken conform Deel II UK MDR 2022 (zoals aangepast) klasse 1.

Wij werken er continu aan om ervoor te zorgen dat het effect van het bedrijf op het milieu, zowel lokaal als internationaal, zo veel mogelijk wordt beperkt.

Wij maken uitsluitend gebruik van materialen en onderdelen die voldoen aan de REACH-richtlijnen.

Wij leven de huidige milieuwetgevingen AEEA en RoHS na.

### 1.4.1 Productspecifieke normen

Het product voldoet aan de eisen van de norm ISO 10535 (Tilliften voor het verplaatsen van gehandicapten).

Neem voor meer informatie over de lokale normen en voorschriften contact op met uw lokale Invacare-vertegenwoordiger.

## 1.5 Levensduur

De verwachte levensduur van dit product is vijf jaar bij dagelijks gebruik en in overeenstemming met de veiligheidsinstructies, onderhoudstermijnen en bij correct gebruik, zoals aangegeven in deze handleiding. De effectieve levensduur kan variëren afhankelijk van de frequentie en intensiteit van het gebruik.

## 1.6 Aansprakelijkheidsbeperking

Invacare aanvaardt geen aansprakelijkheid voor schade veroorzaakt door:

- Niet in acht nemen van de gebruikershandleiding
- Verkeerd gebruik
- Normale slijtage
- Verkeerde montage of afstelling door de koper of een derde
- Technische aanpassingen
- Niet-geautoriseerde wijzigingen en/of gebruik van ongeschikte reserveonderdelen

## 2 Veiligheid

### 2.1 Veiligheidsinformatie



#### **WAARSCHUWING!**

##### **Risico op schade en ernstig letsel**

Verkeerd gebruik van dit product kan leiden tot schade of lichamelijk letsel.

- Als u de waarschuwingen, aanwijzingen of instructies niet begrijpt, neem dan contact op met een professionele zorgverlener of leverancier voordat u dit hulpmiddel gebruikt.
- Gebruik dit product of de beschikbare optionele apparatuur niet zonder eerst deze instructies en eventueel aanvullend instructiemateriaal volledig te hebben gelezen en begrepen.



#### **WAARSCHUWING!**

##### **Kans op lichamelijk letsel**

- Niet gebruiken indien defect.
- Neem direct contact op met uw leverancier in geval van een defect.
- Voer geen ongeautoriseerde wijzigingen of aanpassingen uit op het product.
- Ga nooit op de badlift staan om in of uit het bad te stappen, gebruik de badlift nooit om te klimmen of af te dalen en gebruik deze ook niet als een liftplatform of enig ander vergelijkbaar doel.



#### **WAARSCHUWING!**

- Vóór het eerste gebruik moet het product grondig worden gereinigd.
- Controleer het product vóór elk gebruik op schade en controleer of het stevig is gemonteerd.



#### **LET OP!**

##### **Gevaar voor lichamelijk letsel**

Niet-originele of verkeerde onderdelen kunnen de werking en veiligheid van het product nadelig beïnvloeden.

- Gebruik alleen originele onderdelen voor het product dat u gebruikt.
- Vanwege de verschillen per regio kunt u het beste de Invacare-catalogus of -website voor uw regio raadplegen om te zien welke opties beschikbaar zijn. U kunt ook contact opnemen met uw Invacare-leverancier.

## 2.2 Veiligheidsinformatie over elektromagnetische compatibiliteit



### **WAARSCHUWING!**

#### **Risico op storing**

Elektromagnetische interferentie kan een onjuiste werking tot gevolg hebben.

- Gebruik dit product niet naast of gestapeld met andere elektrische apparatuur. Als het toch nodig is dit product op dergelijke wijze te gebruiken, moet u de werking van het product en de andere apparatuur goed in de gaten houden.



### **WAARSCHUWING!**

#### **Risico op storing als gevolg van elektromagnetische interferentie**

Er kan elektromagnetische interferentie optreden tussen dit product en andere elektrische apparatuur. De elektrische afstelfuncties van dit product kunnen hierdoor verstoord worden. U kunt elektromagnetische interferentie op de volgende manieren voorkomen of verminderen:

- Gebruik alleen originele accessoires en reserve-onderdelen. Zo neemt de elektromagnetische emissie niet toe en neemt de elektromagnetische immuniteit van dit product niet af.
- Houd draagbare RF-communicatieapparatuur op ten minste 30 cm van de onderdelen van dit product (inclusief kabels).
- Gebruik dit product niet in de buurt van actieve hoogfrequente chirurgische apparatuur of een voor RF-straling afgeschermd MRI-ruimte, waar elektromagnetische storingen in hoge mate aanwezig zijn.
- Als er sprake is van storingen, vergroot u de afstand tussen dit product en de overige apparatuur of schakelt u deze uit.



Wij zijn niet op de hoogte van de risico's bij gebruik van producten zoals een pacemaker.

Richtlijnen en een verklaring van de fabrikant met betrekking tot elektromagnetische straling en immuniteit zijn op aanvraag beschikbaar via Invacare in uw land.



## 3 Productoverzicht

### 3.1 Beoogd gebruik

De Aquatec ORCA, ORCA F en ORCA XL zijn badliften op accuvoeding die hulp bieden bij het in en uit bad gaan.

Het bestaat uit een zitplaat (met geïntegreerde zijflappen) met antislippoppervlak en een afstandsbediening waarmee u de zitting omhoog of omlaag kunt bewegen. De ORCA en ORCA XL hebben een onbuigzame rugleuning die omlaag kan worden gebracht. De ORCA F heeft een vaste rugleuning. Verschillende onderdelen zoals de zittinghoes en rugbekledingen zijn optioneel verkrijgbaar.

#### Beoogde gebruikers

Het product is bedoeld voor iedereen met beperkte bewegingsmogelijkheden. Indien het hulpmiddel zonder begeleiding wordt gebruikt, moet de gebruiker zijn/haar evenwicht kunnen bewaren.

#### Indicaties

- Beperkte mobiliteit (bijv. van de benen en/of heupen)
- Evenwichtsproblemen bij het opstaan of lopen als gevolg van een tijdelijke of permanente handicap

Er zijn geen contra-indicaties bekend bij gebruik van het product zoals bedoeld. Zie voor het maximale gebruikersgewicht *10 Technische Specificaties, pagina 211*

### 3.2 Voornaamste onderdelen van het product

De volgende onderdelen zijn inbegrepen in de levering:

#### Handbediening en lader

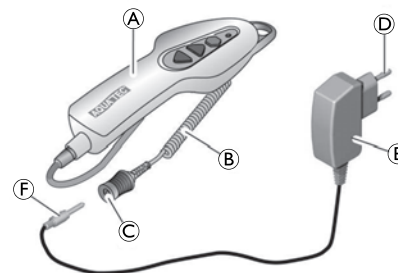


Fig. 3-1

Ⓐ	Handbediening met accu	Ⓓ	Stekker voor lichtnet
Ⓑ	Spiraalkabel	Ⓔ	Lader
Ⓒ	Stekkeropening	Ⓕ	Contactstekker

## Zitting

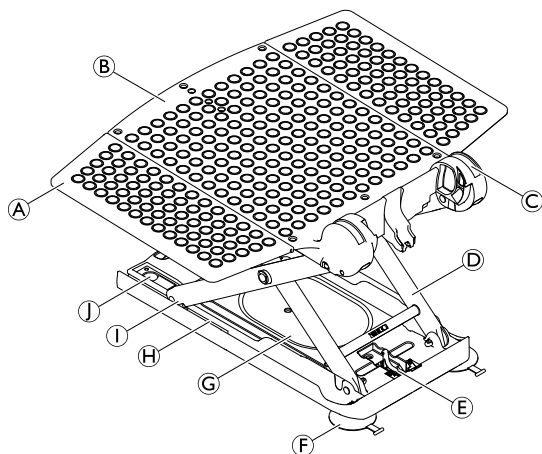


Fig. 3-2

(A)	Zijflap	(F)	Zuignappen achter (met schroefdraad)
(B)	Zitplaat	(G)	Basisplaat
(C)	Scharnier voor rugleuning	(H)	Geleider voor het glijvlak
(D)	Liftarmen	(I)	Glijvlak
(E)	Houder van spilvoet	(J)	Zuignappen voor (één lipje met greep)

## Rugleuning

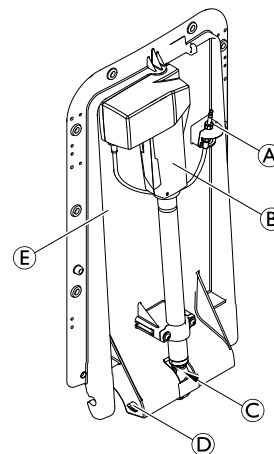


Fig. 3-3

(A)	Contactstekker	(D)	Vergrendelingspin
(B)	Aandrijving	(E)	Plaat, rugleuning
(C)	Spilvoet		

## 4 Montage

### 4.1 Veiligheidsinformatie



#### Gevaar voor beschadiging

- Controleer alle onderdelen op transportschade en controleer ze nogmaals vóór gebruik. Neem zo nodig contact op met uw leverancier.
- Houd er bij de montage rekening mee dat alle onderdelen juist geplaatst dienen te worden zodat er geen beschadigingen optreden.
- Het wordt aanbevolen om de bekleding vóór het eerste gebruik te wassen; zie hoofdstuk 7.2 *Reiniging en desinfectie, pagina 204*

### 4.2 De badlift monteren



#### WAARSCHUWING!

#### Risico op uitglijden

- De badlift kan gaan glijden als de zuignappen onvoldoende grip hebben.
- Reinig de badkuip en de zuignappen met een vochtige doek voordat u de badlift gaat monteren.
  - Verplaats de badlift niet wanneer deze eenmaal op zijn plaats is gemonteerd.



#### WAARSCHUWING!

#### Risico op letsel en beschadiging!

- Plaats de badlift alleen in badkuipen die voldoen aan de specificaties zoals vermeld in de volgende tabel.
- Als het bad is uitgerust met een laterale overflow, kunt u de optionele speciale zijflappen gebruiken.

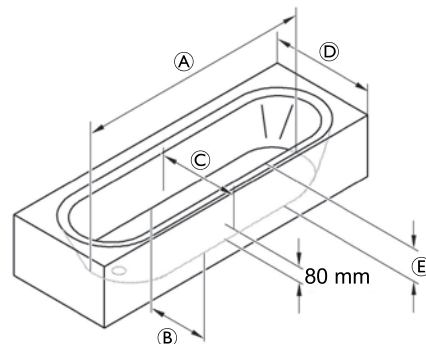


Fig. 4-1

(A)	Lengte van badkuip, bodem	≥ 800 mm
(B)	Breedte van badkuip, bodem (binnenzijde)	≥ 280 mm
(C)	Breedte van badkuip, bij een diepte van 80 mm (binnenzijde)	≥ 430 mm
(D)	Breedte van badkuip, (buitenzijde)	700 - 740 mm <sup>1)</sup>
(E)	Diepte van badkuip (binnenzijde)	≤ 420 mm <sup>2)</sup>



- 1) 580 - 690 mm of 750 - 1000 mm met speciale zijflappen (optioneel)
- 2) (met hoogte adapter max. + 60 mm)

**!** **Gevaar voor beschadiging**

- Controleer of de zuignappen goed zijn bevestigd.
- Controleer of de accu in de handbediening is opgeladen.
- Houd bij het optillen van de onderdelen van de badlift rekening met het gewicht ervan; zie hoofdstuk 10.1 *Afmetingen en gewicht, pagina 211*
- Als er aan de binnenkant van de badkuip een handgreep is bevestigd, kunt u de optionele zijflaphulpstukken gebruiken.

1.

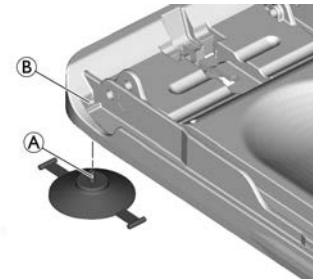


Fig. 4-2

Plaats de achterste zuignap met de bout (A) op de draadbus (B) en draai de zuignap in de bus. Draai zo vast dat de zuignap zich in dezelfde stand bevindt als op de afbeelding.

2.

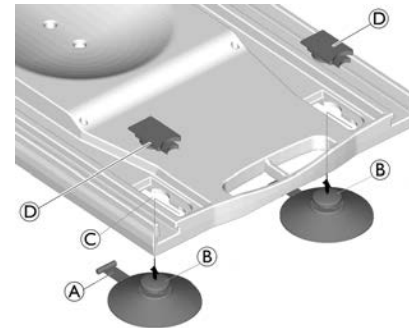


Fig. 4-3

Steek de tuimelaar (A) door sleutelgatboring (C) en plaats hem in de bijbehorende uitsparing. Steek de zuignap (B) door de boring (C) en trek de zuignap naar voren. Zet de zuignap vast met het rode deksel (D).

3.

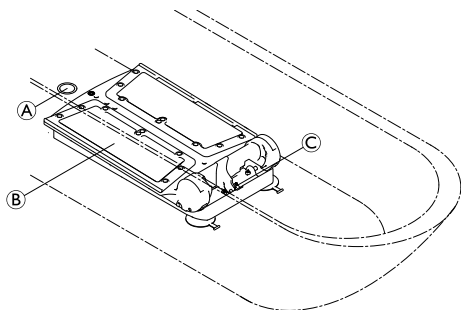


Fig. 4-4

Plaats de zitting ② op de bodem van een lege badkuip. Zorg ervoor dat de spilvoethouder ③ in de richting van het voeteneinde van de badkuip tegenover de afvoer ① staat.

4.

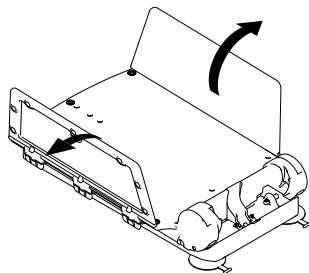


Fig. 4-5

Vouw de zijflappen van de zitting naar buiten.

5.



### KENNISGEVING

– Zorg ervoor dat de zijflappen naar buiten geklapt zijn voordat u de rugleuning op de zitting plaatst.

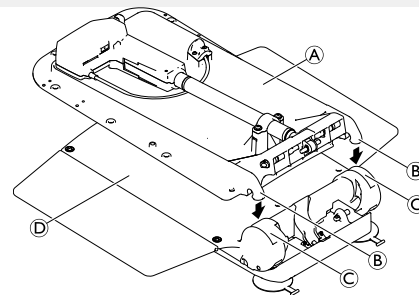


Fig. 4-6

Plaats de rugleuning ① (zonder de handbediening) op de zitting, zodat de haken ② van de rugleuning in de scharnieren ③ van de zitplaat ④ passen.

6.



### Gevaar voor beschadiging

Beschadiging van het product als gevolg van het wegglijden van de spilvoet.

- Zorg ervoor dat de spil volledig is ingetrokken en dat de spilvoet waterpas staat en niet is gedraaid voordat u de rugleuning omhoog klapt.
- Als de rugleuning omhoog is geklapt, controleert u of de spilvoet goed in de houder is bevestigd.

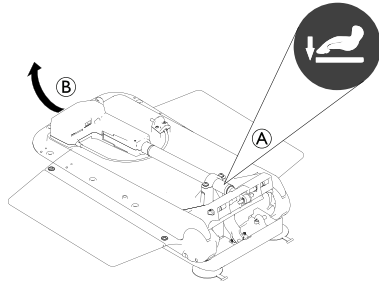


Fig. 4-7

Duw met één hand de rugleuning op de zitplaat op de plaats van het label **A** zodat de haken in de scharnieren vastklikken.

7. Terwijl u de rugleuning nog steeds licht omlaag duwt zoals beschreven in stap 6, houdt u de rugleuning vast in het midden van het hoofdeinde **B** en klapt u de rugleuning voorzichtig omhoog in de eindpositie.

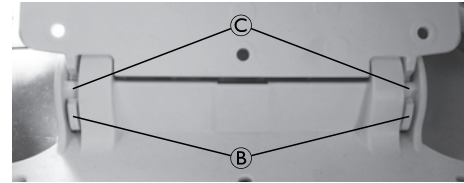


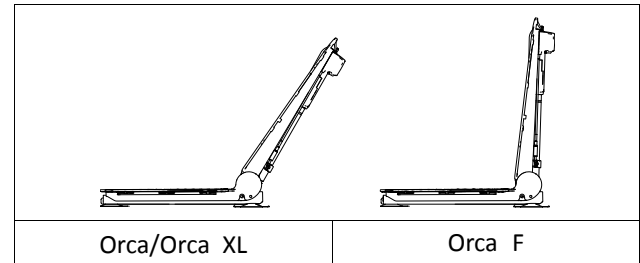
Fig. 4-8



### Gevaar voor beschadiging

Beschadiging van het product vanwege verkeerd monteren van de rugleuning.

- Zorg ervoor dat beide haken **B** van de rugleuning vastklikken in de scharnieren **C** van de zitplaat.
- De rugleuning moet omhoog worden geklapt naar de eindpositie zonder daarbij te veel kracht uit te oefenen en weerstand te voelen. De eindpositie wordt in de volgende afbeelding aangegeven.



8.

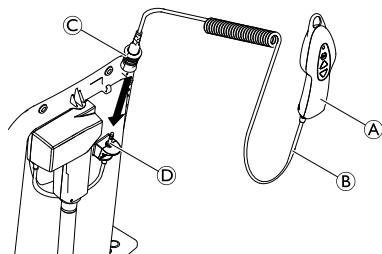


Fig. 4-9

Als u de handbediening **A** op de badlift wilt aansluiten, bevestig dan de steekkeropening met de ontgrendelingshuls **C** op contactstekker **D** totdat het vergendelmechanisme vastklikt.



#### Gevaar voor beschadiging

- Zorg ervoor dat de rugleuning de rand van het bad niet raakt.
- Plaats de badlift zo nodig verder naar voren in het bad. Als u de badlift verder naar voren in het bad wilt plaatsen, laat dan de badlift tot op de bodem van het bad zakken, maak de zuignappen los en verplaats de badlift.

### 4.3 Accu wordt opgeladen

De badlift kan niet worden gebruikt wanneer de accu wordt opgeladen.



#### WAARSCHUWING!

##### Risico op elektrische schokken

- Laad de accu alleen op in droge ruimtes, bij kamertemperatuur (15 tot 25 °C) en nooit in de badkamer.



#### Gevaar voor beschadiging

- Gebruik voor het opladen van de accu in de handbediening alleen de bijgeleverde lader.
- Sluit de lader alleen aan op het lichtnet als de handbediening is aangesloten op de lader.
- Controleer of de spanningsspecificaties op de lader overeenkomen met die van het lichtnet.

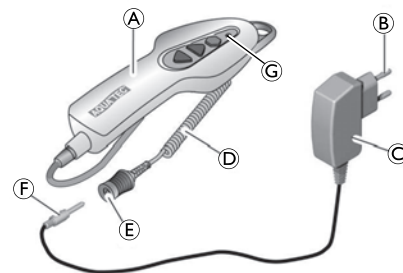



Fig. 4-10

1. Steek de contactstekker **F** van de lader **C** in de steekkeropening **E** van de spiraalkabel **D** van de handbediening **A** totdat deze contact maakt.
2. Steek de netstekker **B** van de lader in een contactdoos.



Het rode indicatorlampje  op de handbediening gaat uit wanneer de accu voldoende is opgeladen voor het volgende gebruik. Overladen van de accu is niet mogelijk.

3. Haal de lader uit de contactdoos.
4. Trek de contactstekker van de lader uit de stekkeropening van de handbediening.

## 5 Gebruik

### 5.1 Veiligheidsinformatie



#### LET OP!

#### Gevaar voor letsel of beschadiging

Er kan vocht binnendringen in een beschadigde handbediening, wat kan leiden tot kortsluiting en brand.

- Voer altijd en voor elk gebruik een visuele inspectie uit van het product op externe beschadigingen.
- Als de behuizing van de handbediening is beschadigd of als er barsten zichtbaar zijn, mag de handbediening niet worden gebruikt.



#### LET OP!

#### Beknellingsgevaar

- Plaats geen vingers in de geleiding tussen de zittingplaat en de rugleuning.
- Steek geen ledematen onder de zitplaat of tussen de hefarmen.



#### Gevaar voor beschadiging

Overbelasting van de badlift kan leiden tot schade aan de apparatuur of niet-functioneren van de lift.

- Zorg dat u de badlift niet overbelast; neem de specificaties op het typeplaatje in acht of raadpleeg *10 Technische Specificaties, pagina 211* met betrekking tot de laadcapaciteit.



Laad de accu regelmatig op; zie *4.3 De accu opladen in 4 Montage, pagina 192*



Raadpleeg *10.4 Omgevingsparameters, pagina 212* voor meer informatie over de gebruiksomstandigheden.

### 5.2 De badlift bedienen

De badlift kan in de volgende richtingen worden verplaatst:



Fig. 5-1

De badlift wordt door de gebruiker of een begeleider met de handbediening bediend.



Met volledig opgeladen accu kunnen de ORCA en ORCA F vijf badprocedures uitvoeren met een belasting van 140 kg. De ORCA XL kan vier badprocedures uitvoeren met een belasting van 170 kg.

- Ⓐ Noodstopknop
- Ⓑ Knop Omhoog
- Ⓒ Handbediening
- Ⓓ Knop Omlaag
- Ⓔ Indicatorlampje

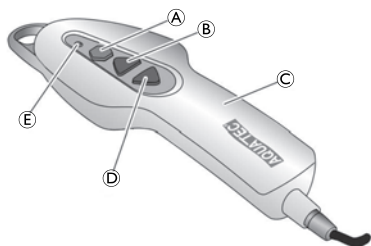


Fig. 5-2

### ! Gevaar voor beschadiging

– Gebruik de handbediening alleen als de rugleuning op de juiste manier is geplaatst en omhoog is geklapt.

**i** Als de accu van de handbediening Ⓒ niet volledig is opgeladen, gaat het indicatorlampje Ⓔ rood branden wanneer er op de knop Omlaag Ⓓ wordt gedrukt. Als dat het geval is, wordt de functie voor neerlaten van de badlift uitgeschakeld. De lift kan dan nog wel omhoog worden gebracht.

1. Laad de accu meteen op wanneer u de badlift weer omhoog hebt gebracht.

### De badlift omhoog brengen

**i** Als de rugleuning naar achteren staat, beweegt deze eerst naar de rechtopstaande stand (niet bij het model ORCA F).

1. Druk op de knop Omhoog Ⓑ op de handbediening en houd deze knop ingedrukt. De rugleuning gaat naar de stand rechtop of de zitting gaat omhoog.
2. Laat de knop Omhoog op de handbediening los. De badlift stopt in de huidige stand.

### De badlift omlaag brengen

**i** Als u de zitting al naar beneden hebt laten zakken, zakt de rugleuning naar achteren (niet op het model ORCA F).

1. Druk op de knop Omlaag Ⓓ op de handbediening en houd deze knop ingedrukt. De zitting zakt of de rugleuning kantelt naar achteren.
2. Laat de knop Omlaag op de handbediening los. De badlift stopt in de huidige stand.

### Noodstopknop

#### ! Gevaar voor beschadiging

Druk alleen op de noodstopknop Ⓐ als het apparaat niet meteen stopt wanneer u de knop Omhoog of Omlaag loslaat (bijvoorbeeld omdat er een knop vastzit). De badlift stopt onmiddellijk met bewegen en het indicatorlampje op de handbediening gaat branden.

Als de zitlift niet meer reageert wanneer u op de omhoog- of omlaag-knop drukt nadat u de noodstopknop hebt losgelaten, is de fout niet verholpen. Het apparaat is niet klaar voor gebruik en moet worden gerepareerd. Er kan bijvoorbeeld sprake zijn van elektronische schade.

 Neem zo nodig contact op met uw leverancier.

### 5.3 In bad gaan



#### **WAARSCHUWING!** **Risico op uitglijden**

De badlift kan gaan glijden als de zuignappen onvoldoende grip hebben.

- Controleer voor gebruik van de badlift of deze stevig staat en niet kan kantelen.
- Zorg dat de badlift in een bad met de juiste afmetingen wordt geplaatst; zie 4.2 *De badlift monteren, pagina 192*



#### **WAARSCHUWING!** **Gevaar voor lichamenlijk letsel**

- Als u door uw fysieke gesteldheid niet in staat bent om alleen in bad te gaan, dient u het apparaat alleen te gebruiken onder toezicht.
- Zorg dat als het apparaat zonder toezicht wordt bediend, er een alarmsysteem of telefoon onder handbereik is ingeval van onvoorziene omstandigheden (bv. storingen).



#### **Gevaar voor beschadiging**

Gebruik van badolie of -zout kan nadelige gevolgen hebben voor de prestaties van de liftarmen.

- Als u toch badolie of -zout wilt gebruiken, overschrijd dan niet de aanbevolen doses.



Breng als functietest de onbelaste lift eenmaal volledig naar boven en laat de lift vervolgens volledig naar beneden zakken.

1. Houd de knop Omhoog ingedrukt tot de zitting zich ter hoogte van de badrand bevindt.
2. Zorg dat de zijflappen zich op dezelfde hoogte als de zitting bevinden en plat op de rand van het bad liggen (beginpositie).
3. Vul het bad met water.
4. Ga op de dichtstbijzijnde zijflap zitten zoals u ook op een stoel zou gaan zitten.
5. Schuif naar achteren totdat u in het midden van de zitting zit.
6. Draai uzelf in de positie voor het baden door eerst een been over de rand van het bad te tillen en daarna het andere been.
7. Druk wanneer u goed zit op de knop Omlaag en houd deze knop ingedrukt om de zitting in het bad te laten zakken.



Wanneer de zitting de laagste stand heeft bereikt, kan de rugleuning schuiner naar achteren worden gebracht door de knop Omlaag ingedrukt te houden. Dit zorgt voor een wat comfortabeler positie voor het nemen van uw bad en kunt u zichzelf ook dieper in het badwater laten zakken (niet op model ORCA F).

8. Houd de knop Omlaag ingedrukt totdat de rugleuning de gewenste stand heeft bereikt.





Volg deze stappen in omgekeerde richting om uit het bad te komen.

9. Druk om de rugleuning of de badlift omhoog te brengen op de knop Omhoog en houd deze ingedrukt totdat de zitting zich op dezelfde hoogte bevindt als de rand van het bad.



**Gevaar voor beschadiging**

- Koppel de handbediening los van het apparaat wanneer de badlift niet wordt gebruikt; zie stap 3 in *6.2 De badlift verwijderen, pagina 202*

## 6 Transport

### 6.1 Veiligheidsinformatie



#### Gevaar voor beschadiging

- Raadpleeg de voorschriften voor opslag en transport in hoofdstuk 10.4 *Omgevingsparameters, pagina 212*
- De rugleuning is niet vergrendeld aan de zitting wanneer de stoel is ingeklapt, en kan losraken van de zitting.
- Verwijder de zuignappen niet tijdens het verplaatsen van de badlift.



Het onderstel met zitplaat en rugleuning kan gedemonteerd worden voor transport.

### 6.2 De badlift verwijderen

1. Laat het bad leeglopen.
2. Breng de badlift omlaag met de knop Omlaag totdat de rugleuning in de laagste eindpositie stopt; zie 5.2 *De badlift bedienen, pagina 198*
3. Maak de stekkeropening van de spiraalkabel van de handbediening open door op de ontgrendelingshuls te drukken en de afdekking van de contactstekker te trekken.

4.

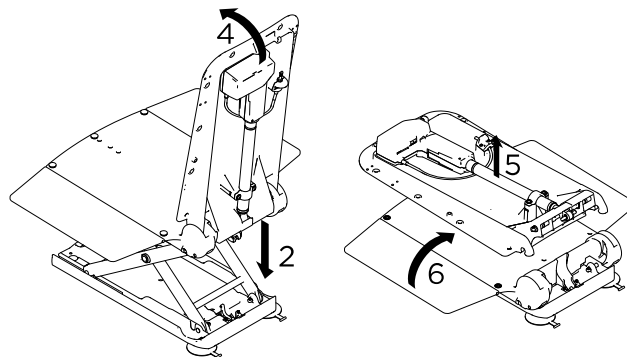


Fig. 6-1

Houd de rugleuning in het midden van het hoofdeinde vast en vouw de rugleuning langzaam naar voren tot de eindpositie.



#### Gevaar voor beschadiging

- Klap de rugleuning niet in als er zich water in de badkuip bevindt.
- Controleer voordat u de rugleuning naar beneden klapt of de rugleuning helemaal in de verlaagde stand staat.
- Zorg er bij het naar beneden klappen van de rugleuning voor dat de spiraalkabel van de handbediening niet bekneld raakt.

5. Trek de rugleuning van de zitting omhoog en uit het bad.
6. Vouw de zijflappen van de zitting naar binnen.

7.

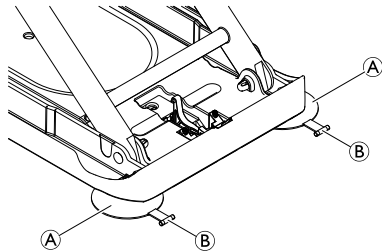



Fig. 6-2

Maak de achterste zuignappen ① los door aan de gelijktijdig uitstekende lipjes ② te trekken.

8. Til de achterzijde van de zitting iets omhoog. Hierdoor worden de zuignappen aan de voorkant losgetrokken.

 Als u de hoogte-adapters hebt ingesteld (optioneel), dient u ook de lipjes van de voorste zuignappen los te trekken om deze los te maken.

9. Haal het basisframe met de zitplaat uit het bad.

## 7 Onderhoud

### 7.1 Onderhoud en inspectie

Als de kennisgevingen voor reiniging en veiligheid in acht worden genomen, heeft het product geen onderhoud nodig.



#### **Gevaar voor beschadiging**

- De handbediening mag alleen worden opengemaakt door de fabrikant van de badlift.

1. Controleer het product regelmatig op schade en zorg ervoor dat het stevig is gemonteerd.
2. Neem direct contact op met uw leverancier in geval van schade en/of vereiste reparatie.
3. De badlift moet worden gecontroleerd door een erkende leverancier voor elk hergebruik. Het wordt aanbevolen de badlift na uiterlijk 24 maanden te controleren (conform DIN EN ISO 10535).
4. Als de badlift langere tijd niet wordt gebruikt, moet de accu volledig worden opgeladen en moet de badlift drie keer zonder lading omhoog en omlaag worden gebracht. Herhaal dit proces elke 3 maanden. Dit helpt de levensduur van de accu te behouden.

### 7.2 Reiniging en desinfectie

#### 7.2.1 Algemene veiligheidsinformatie



#### **LET OP!**

#### **Besmettingsgevaar**

- Tref voorzorgsmaatregelen voor uw eigen veiligheid en gebruik de juiste beschermingsuitrusting.



#### **KENNISGEVING!**

Het gebruik van de verkeerde vloeistoffen of methoden kan het product aantasten of beschadigen.

- Alle gebruikte reinigings- en desinfecteringsmiddelen moeten effectief zijn, met elkaar gecombineerd kunnen worden en de te reinigen materialen beschermen.
- Gebruik nooit bijtende vloeistoffen (zuren, basen enzovoort) of schurende reinigingsmiddelen. Wij adviseren een gewoon huishoudelijk schoonmaakmiddel zoals afwasmiddel.
- Gebruik nooit een oplosmiddel (thinner, aceton en dergelijke) waardoor de structuur van de kunststof kan veranderen of labels kunnen loslaten.



Volg voor reiniging en desinfectie in klinische omgevingen of omgevingen voor langdurige zorg de intern ingestelde procedures.

## 7.2.2 Reinigingsintervallen



### **KENNISGEVING!**

Regelmatig reinigen en desinfecteren zorgt voor een soepele werking, verhoogt de levensduur en voorkomt besmetting.

Reinig en desinfecteer dit product:

- regelmatig tijdens gebruik,
- voor en na onderhoudswerkzaamheden;
- als het in contact is gekomen met lichaamsvocht;
- voordat een nieuwe gebruiker er gebruik van maakt.

## 7.2.3 Reinigingsinstructies

### De zitting en de rugleuning reinigen



#### **LET OP!**


#### **Beknellingsgevaar**

- Wees met name voorzichtig bij het reinigen van het gedeelte rond de liftarmen. Deze kunnen bewegen en zo letsel veroorzaken.



#### **Gevaar voor beschadiging**

- Gebruik nooit een hogedrukreiniger voor het reinigen van de rugleuning.

1. Reinig het product met een doek of een borstel.
2. Spoel het product met warm water af.
3. Droog het product met een doek.
4. Vet de geleiding van de glijvlak (zie  in afb. 3.2, hoofdstuk 3.2 *Voornaamste onderdelen van het product*, pagina 190) lichtjes in met vaseline.

## De bekleding reinigen (optioneel)



Het wordt aanbevolen om de bekleding voorafgaand aan het eerste gebruik te wassen. Om hygiënische redenen wordt aangeraden de bekleding regelmatig te wassen en te verwisselen.

1. Maak de hoezen van de zitting en de rugleuning los.
2. Was de bekleding met een mild wasmiddel in de wasmachine op maximaal 60 °C.



#### **Gevaar voor beschadiging**

- Wassen op hoge temperaturen kan leiden tot beschadigen of krimpen van de bekleding.
- Droog de bekleding niet in de wasdroger.

## De lader en de handbediening reinigen



#### **WAARSCHUWING!**

#### **Risico op elektrische schokken**

- Haal altijd de netstekker uit de contactdoos voordat u de lader gaat reinigen.
- Plaats nooit objecten van geleidend materiaal (bijvoorbeeld breinaalden of metalen pennen) in de stekkeropening van de handbediening.
- Gebruik nooit een natte of vochtige doek voor het reinigen van de lader.



**LET OP!**

**Risico op elektrische schokken en beschadiging van het product**

- Schakel het apparaat uit en haal indien van toepassing de stekker uit het stopcontact.
- Houd bij het reinigen van elektrische onderdelen rekening met de betreffende beschermingsgraad tegen het binnendringen van water.
- Zorg dat er geen water op de stekker of het stopcontact spat.
- Raak de contactdoos niet aan als u natte handen hebt.

1. Reinig de lader met een droge doek.
2. Reinig de handbediening met een vochtige doek.
3. Droog de handbediening met een doek.

#### **7.2.4 Instructies voor desinfecteren**

Methode: volg de aanwijzingen voor het aanbrengen van het gebruikte desinfectiemiddel op en neem alle toegankelijke oppervlakken af.

Desinfectiemiddel: een standaard desinfectiemiddel voor huishoudelijk gebruik.

Drogen: laat het product aan de lucht drogen.

## 8 Na gebruik

### 8.1 Opslag



#### **Gevaar voor beschadiging**

- Bewaar dit product niet in de buurt van warmtebronnen.
- Bewaar de accu niet in de buurt van open vuur.
- Stel dit product niet bloot aan direct zonlicht.
- Raadpleeg de voorschriften voor opslag en transport in hoofdstuk 10.4 *Omgevingsparameters, pagina 212*

### 8.2 Geschikt maken voor hergebruik

Dit product is geschikt voor hergebruik. Om het product voor een nieuwe gebruiker gebruiksklaar te maken, voert u de volgende handelingen uit:

- Inspectie
- Schoonmaken en desinfecteren

Zie voor meer informatie *7 Onderhoud, pagina 204* en de servicehandleiding bij dit product.

Zorg ervoor dat de gebruikershandleiding samen met het product wordt overhandigd.

Hergebruik het product niet als er schade of afwijkingen zijn geconstateerd.

### 8.3 Afvoeren



#### **WAARSCHUWING!**

#### **Potentieel schadelijk voor het milieu**

Dit hulpmiddel bevat accu's.

Dit product bevat mogelijk stoffen die schadelijk kunnen zijn voor het milieu wanneer ze worden achtergelaten op plaatsen (stortplaatsen) die volgens de wetgeving daarvoor niet geschikt zijn.

- Gooi de accu's NIET weg met normaal huishoudelijk afval.
- Gooi de accu's NIET in het vuur.
- De accu's MOETEN naar een daarvoor bestemd afvalverwerkingsstation worden gebracht. Het inleveren van accu's is wettelijk verplicht; er zijn geen kosten aan verbonden.
- Voer alleen lege accu's af.
- Dek bij lithiumaccu's die afgevoerd moeten worden de contactpunten af.
- Meer informatie over het soort accu vindt u op het label van de accu of in hoofdstuk 10 *Technische Specificaties, pagina 211*

Wij hopen dat u voldoende milieubewust bent om dit product na de levensduur naar een afvalverwerkingsstation te brengen.

Haal het product en de onderdelen ervan uit elkaar, zodat de verschillende materialen afzonderlijk kunnen worden gerecycled.

Gebruikte producten en verpakkingen moeten worden afgevoerd en gerecycled overeenkomstig de wet- en regelgeving voor afvalverwerking in het betreffende land.

Neem contact op met uw plaatselijke afvalverwerkingsbedrijf voor meer informatie.



## 9 Problemen oplossen

### 9.1 Storingen identificeren en oplossen



In de volgende tabel vindt u een overzicht van storingen en de mogelijke oorzaken daarvan. Als u de storing niet kunt verhelpen met behulp van de gegeven oplossingen, kunt u ook rechtstreeks contact opnemen met uw leverancier.

Storing	Mogelijke oorzaak	Oplossing
Er is geen motorgeluid te horen/de lift beweegt niet.	De stekkeropening van de handbediening is niet goed vastgeklikt.	Klik de stekkeropening vast, → 4.2 <i>De badlift monteren, pagina 192</i>
	De accu is leeg.	Laad de accu volledig op, → 4.3 <i>Accu wordt opgeladen, pagina 196</i>
	De contactpunten zijn vuil.	Reinig de stekker op de rugleuning.
	De kabel is bekneld of beschadigd.	Vervang de handbediening, → neem contact op met uw leverancier.
De lift kan wel omhoog worden gebracht, maar niet omlaag.	De beveiliging tegen laagspanning is geactiveerd.	Laad de accu volledig op, → 4.3 <i>Accu wordt opgeladen, pagina 196</i>
De lift stopt tijdens het naar boven brengen.	Overbelasting.	Neem de maximale belasting in acht, → 10.1 <i>Afmetingen en gewicht, pagina 211</i>
De badlift kan niet goed worden bevestigd in de badkuip.	De zuignappen zijn oud of beschadigd.	Vervang de zuignappen, → neem contact op met uw leverancier.

<b>Storing</b>	<b>Mogelijke oorzaak</b>	<b>Oplossing</b>
De accu laadt niet op en het rode indicatorlampje knippert tijdens het opladen.	Defecte elektronica.	Laat uw handbediening controleren door een erkende leverancier.
	Defecte accu.	Vervang de handbediening, → neem contact op met uw leverancier.
	Defecte acculader.	Laat uw lader controleren door uw erkende leverancier.
	De accu wordt te heet.	Houd de handbediening uit de buurt van warmtebronnen. De accu wordt weer verder opgeladen zodra de temperatuur is gedaald tot de toegestane waarden.

## 10 Technische Specificaties

### 10.1 Afmetingen en gewicht

Totale lengte in laagste stand	920 mm
Totale lengte in hoogste stand	650 mm
Totale hoogte in hoogste stand	1075 mm
Lengte van zitting	590 mm
Breedte van zitting met zijflappen naar buiten gevouwen	715 mm
Breedte van zitting met zijflappen naar binnen gevouwen	390 mm
Hoogte van zitting in laagste stand	60 mm
Hoogte van zitting in hoogste stand	420 mm
Breedte van rugleuning	360 mm
Minimale hoek van rugleuning	8°
Breedte van basisplaat	295 mm
Maximale belasting (ORCA / ORCA F) Maximale belasting (ORCA XL)	140 kg 170 kg
Totaal gewicht zonder handbedieningseenheid (ORCA) (ORCA F) (ORCA XL)	10,8 kg 11,4 kg 11,6 kg

Gewicht van zitting (ORCA) (ORCA F) (ORCA XL)	6,6 kg 7,2 kg 7,4 kg
Gewicht van rugleuning (ORCA / ORCA F / ORCA XL)	4,2 kg
Gewicht van handbedieningseenheid	0,4 kg
Gewicht van lader	0,1 kg

### 10.2 Elektronische gegevens

Activeringsdruk voor de knoppen van de handbediening	< 5 N
Bedrijfsspanning van handbediening <sup>1)</sup>	11,1 V DC/10,95 V DC/10,8 V DC
Nominale ingangsvoeding <sup>1)</sup>	44 VA / 43 VA
Nominale stroomwaarde	4 A
Accutype	Lithium-ion
Laderinvoer	100 - 240 V AC, 50 - 60 Hz
Laderuitvoer	24 V DC, 135 mA, 3 VA
Laadtijd vanaf waarschuwing voor laagspanning	ongeveer 4,5 uur
Type beveiliging, aandrijving	IP X6 W <sup>2)</sup>

Type beveiliging, handbediening	IP 67 <sup>3)</sup>
Type beveiliging, hele apparaat	IP X6 <sup>4)</sup>
Geluidsniveau	52 dB(A)

De actuator schakelt niet uit wanneer het product wordt overbelast. Zorg ervoor dat u de badlift niet overbelast om beschadigingen te voorkomen.

<sup>1)</sup> 11,1 V DC/44 VA geldt bij gebruik van handbedieningen met een voltage van 11,1 V, zoals aangegeven op de achterkant van de handbediening.

10,95 V DC/44 VA geldt bij gebruik van handbedieningen met een voltage van 10,95 V, zoals aangegeven op de achterkant van de handbediening.

10,8 V DC/43 VA geldt voor gebruik van handbedieningen met een voltage van 10,8 V, zoals aangegeven op de achterkant van de handbediening.

<sup>2)</sup> Beschermd tegen indringen van water in geval van krachtige waterstralen, getest onder voorgeschreven wateromstandigheden.

<sup>3)</sup> Stofbestendig en beschermd tegen indringen van water in geval van tijdelijke onderdompeling.

<sup>4)</sup> Beschermd tegen indringen van water in geval van krachtige waterstralen.

### 10.3 Materialen

Rugleuning / zitplaat	PPGF
Afdekkingen	PVC



Alle gebruikte materialen zijn roestbestendig en latexvrij.

### 10.4 Omgevingsparameters

<b>Bedrijfsomstandigheden</b>	
Omgevingstemperatuur	10 - 40 °C
Relatieve luchtvochtigheid	15% - 93%, zonder condensvorming
Atmosferische druk	795 - 1060 hPa
<b>Voorschriften voor opslag en transport</b>	
Omgevingstemperatuur	0 - 40 °C
Relatieve luchtvochtigheid	30% - 75%, zonder condensvorming
Atmosferische druk	795 - 1060 hPa

---

# Innholdsfortegnelse

---

Denne bruksanvisning skal overleveres til sluttbrukeren. FØR du bruker dette produktet, MÅ du lese denne bruksanvisning og oppbevare den til senere referanse.

<b>1 Generell informasjon</b>	<b>.214</b>
1.1 Innledning	.214
1.2 Symboler i dette dokumentet	.214
1.2.1 Andre symboler	.215
1.3 Garanti	.215
1.4 Samsvar	.215
1.4.1 Produktspesifikke standarder	.215
1.5 Levetid	.215
1.6 Ansvarsbegrensning	.215
<b>2 Sikkerhet</b>	<b>.216</b>
2.1 Sikkerhetsinformasjon	.216
2.2 Sikkerhetsinformasjon om elektromagnetisk kompatibilitet	.216
2.3 Merking og symboler på produktet	.218
<b>3 Produktoversikt</b>	<b>.219</b>
3.1 Tiltentkt bruk	.219
3.2 Produktets hoveddeler	.219
<b>4 Montering</b>	<b>.221</b>
4.1 Sikkerhetsinformasjon	.221
4.2 Montere badekarheisen	.221
4.3 Lade batteriet	.224
<b>5 Bruk</b>	<b>.226</b>
5.1 Sikkerhetsinformasjon	.226
5.2 Styre badekarheisen	.226
5.3 Bading	.228
<b>6 Transport</b>	<b>.229</b>
6.1 Sikkerhetsinformasjon	.229

6.2 Ta ut badekarheisen	.229
<b>7 Vedlikehold</b>	<b>.231</b>
7.1 Vedlikehold og kontroll	.231
7.2 Rengjøring og desinfisering	.231
7.2.1 Generell sikkerhetsinformasjon	.231
7.2.2 Rengjøringshyppighet	.231
7.2.3 Rengjøringsanvisninger	.232
7.2.4 Instruksjer for desinfisering	.233
<b>8 Etter bruk</b>	<b>.234</b>
8.1 Oppbevaring	.234
8.2 Overhaling	.234
8.3 Avfallshåndtering	.234
<b>9 Feilsøking</b>	<b>.235</b>
9.1 Avdekke og reparere feil	.235
<b>10 Tekniske Data</b>	<b>.236</b>
10.1 Dimensjoner og vekt	.236
10.2 Elektroniske data	.236
10.3 Materialer	.237
10.4 Miljøparametere	.237

# 1 Generell informasjon

## 1.1 Innledning

Denne bruksanvisningen inneholder viktig informasjon om hvordan produktet håndteres. Les bruksanvisningen nøye, og følg sikkerhetsinstruksjonene i den, slik at du kan bruke produktet på en trygg måte.

Du må kun bruke dette produktet hvis du har lest og forstått denne bruksanvisningen. Be om råd hos helsepersonell som har kjennskap til den medisinske tilstanden din, og avklar eventuelle spørsmål du måtte ha om riktig bruk og nødvendige justeringer, med helsepersonellet.

Vær oppmerksom på at det kan være deler av dette dokumentet som ikke er relevante for produktet ditt, ettersom dokumentet gjelder for alle tilgjengelige modeller (på trykkesidspunktet). Hvis ikke annet er angitt, viser hvert avsnitt i dette dokumentet til alle modeller av produktet.

De tilgjengelige modellene og konfigurasjonene i ditt land, står oppgitt i de landsspesifikke salgsdokumentene.

Invacare forbeholder seg retten til å endre produktspesifikasjoner uten forvarsel.

Før du leser dette dokumentet, må du forsikre deg om at du har den nyeste versjonen. Du finner den nyeste versjonen som en PDF-fil på Invacare-nettstedet.

Hvis skriftstørrelsen i den trykte versjonen av dokumentet er vanskelig å lese, kan du laste ned PDF-versjonen fra nettstedet. Deretter kan du skalere PDF-en, slik at skriftstørrelsen passer bedre for deg.

Hvis du ønsker mer informasjon om produktet, som f.eks. produktsikkerhetsmerknader og tilbakekalling, kan du kontakte en Invacare-forhandler. Se adresser nederst i dette dokumentet.

Dersom det skjer en alvorlig hendelse i tilknytning til produktet, bør du informere produsenten og de kompetente myndigheter i landet ditt.

## 1.2 Symboler i dette dokumentet

I dette dokumentet brukes bestemte symboler og varselsord for å angi farer eller utrygge fremgangsmåter som kan medføre personskade eller skade på eiendom. Nedenfor finner du definisjoner av disse symbolene.



### ADVARSEL

Angir en farlig situasjon som kan føre til alvorlig personskade eller død dersom den ikke unngås.



### FORSIKTIG

Angir en farlig situasjon som kan føre til lettere skade dersom den ikke unngås.



### LES DETTE

Angir en risikofylt situasjon som kan føre til skade på materiell dersom den ikke unngås.



### Tips og anbefalinger

Gir nyttige tips, anbefalinger og opplysninger når det gjelder effektiv og problemfri bruk.

### 1.2.1 Andre symboler



Ansvarlig UK angir om et produkt ikke er produsert i Storbritannia.



Triman  
Angir resirkulerings- og sortereregler (gjelder bare for Tyskland).

### 1.3 Garanti

Vi tilbyr en produsentgaranti for produktet i samsvar med våre generelle forretningsvilkår i det aktuelle landet. Garantikrav kan bare rettes gjennom den aktuelle leverandøren av produktet.

Trekk og sugekopper er utelukket fra denne garantien.

### 1.4 Samsvar

Kvalitet er avgjørende for virksomheten til selskapet, som arbeider innenfor fagområdene i ISO 13485.

Dette produktet er CE-merket i samsvar med EU-forordning 2017/745 om medisinsk utstyr, klasse I.

Dette produktet er UKCA-merket, i samsvar med del II av UK MDR 2002 (som endret), klasse I.

Vi arbeider kontinuerlig for å sikre at selskapets påvirkning på miljøet – både lokalt og globalt – reduseres til et minimum.

Vi bruker kun materialer og komponenter som er i samsvar med REACH-forskriftene.

Vi overholder de gjeldende miljøregelverkene WEEE og RoHS.

### 1.4.1 Produktspesifikke standarder

Produktet oppfyller kravene i standarden ISO 10535 (heiser for forflytning av funksjonshemmede).

Kontakt din lokale Invacare-representant for ytterligere informasjon om lokale standarder og regelverk.

### 1.5 Levetid

Produktets forventede levetid er fem år ved daglig bruk, gitt at produktet brukes i samsvar med sikkerhetsinstrukser, vedlikeholdsintervaller og informasjon om riktig bruk som er lagt frem i denne håndboken. Den faktiske levetiden varierer etter brukens hyppighet og intensitet.

### 1.6 Ansvarsbegrensning

Invacare erkjenner ikke ansvar for skade som skyldes:

- Manglende overholdelse av instruksjonene i bruksanvisningen
- Feil bruk
- Naturlig slitasje
- Feilmontering utført av kjøperen eller en tredjepart
- Tekniske endringer
- Endringer som ikke er godkjent, og/eller bruk av uegnede reservedeler

## 2 Sikkerhet

### 2.1 Sikkerhetsinformasjon



#### ADVARSEL!

##### Fare for alvorlig personskade eller skade på utstyr

Feil bruk av produktet kan forårsake personskade og skade på utstyr.

- Hvis du har problemer med å forstå advarslene, forsiktighetsmeldingene eller instruksjonene, bør du ta kontakt med kvalifisert helsepersonell eller en leverandør eller teknisk personell før du forsøker å bruke dette utstyret.
- Ikke bruk dette produktet eller eventuelt tilleggsutstyr før du har lest og forstått disse anvisningene og eventuelt tilleggsmateriale.



#### ADVARSEL!

##### Skaderisiko

- Bruk ikke produktet hvis det er skadet.
- Dersom det oppstår en feil, må du kontakte leverandøren umiddelbart.
- Ikke utfør noen endringer på produktet uten tillatelse.
- Stå aldri på badekarheisen når du skal opp i eller ut av badekaret. Ikke bruk den til å klatre opp eller ned, som løfteplattform eller til lignende formål.



#### ADVARSEL!

- Rengjør produktet grundig før det brukes første gang.
- Før hver bruk, sjekk produktet for skade og forsikre deg om at det er trygt.



#### FORSIKTIG!

##### Skaderisiko

Uoriginale eller uegnede deler kan gå ut over produktets virkemåte og sikkerhet.

- Bruk bare originale deler til det aktuelle produktet.
- På grunn av regionale forskjeller må du se din lokale Invacare-katalog eller nettsted for tilgjengelige alternativer, eller ta kontakt med din Invacare leverandør.

### 2.2 Sikkerhetsinformasjon om elektromagnetisk kompatibilitet



#### ADVARSEL!

##### Risiko for funksjonssvikt

Elektromagnetisk interferens kan forårsake feil drift.

- Ikke bruk dette produktet ved siden av eller stablet med annet elektrisk utstyr. Hvis slik bruk er nødvendig, må dette produktet og annet utstyr observeres nøye for å kontrollere at de fungerer som de skal.



**ADVARSEL!****Risiko for funksjonssvikt på grunn av elektromagnetisk forstyrrelse**

Elektromagnetisk forstyrrelse mellom dette produktet og annet elektrisk utstyr kan oppstå og forstyrre de elektriske justeringsfunksjonene for dette produktet. For å forhindre, redusere eller eliminere slik elektromagnetisk forstyrrelse:

- Bruk bare originalkabler, -tilbehør og -reservedeler for at elektromagnetisk utslipp ikke skal økes eller redusere dette produktets elektromagnetiske immunitet.
- Ikke bruk bærbar, radiofrekvent (RF) kommunikasjonsutstyr nærmere enn 30 cm fra noen del av dette produktet (inkludert kabler).
- Ikke bruk dette produktet i nærheten av høyfrekvent kirurgisk utstyr og RF-skjermet rom i et system for magnetisk resonansavbildning der det er høy intensitet i elektromagnetiske forstyrrelser.
- Hvis det skjer forstyrrelser, øk avstanden mellom dette produktet og annet utstyr eller slå det av.



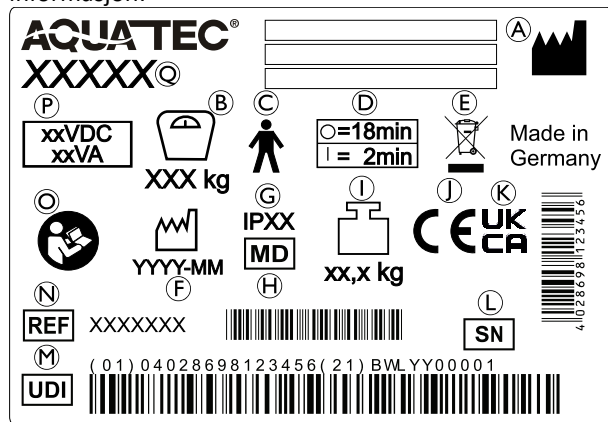
Vi er ikke kjent med eventuelle risikoer forbundet med bruk av produkter som hjertepacemaker.

Veiledning og produsenterklæring knyttet til elektromagnetisk stråling og immunitet er tilgjengelig på forespørsel fra Invacare i landet ditt.

## 2.3 Merking og symboler på produktet

### Identifikasjonsmerke

Identifikasjonsmerket (trykt i blått) inneholder viktig informasjon:



- Ⓐ Produsent og produsentens adresse
- Ⓑ Maksimal brukervekt
- Ⓒ Type B-kontaktdel
- Ⓓ Bruksintervall (kontinuerlig drift av motoren er ikke tillatt): maks 2 minutter kontinuerlig bruk etterfulgt av en 18 minutters pause
- Ⓔ WEEE-samsvar
- Ⓕ Produksjonsdato

- Ⓖ Beskyttelsestype
- Ⓗ Medisinsk utstyr
- Ⓘ Produktvekt
- Ⓝ EU
- Ⓚ Samsvarsvurdering av UK
- Ⓛ Serienummer
- Ⓜ Unik enhetsidentifikator
- Ⓝ Referansenummer
- Ⓞ Les bruksanvisningen
- Ⓟ Nominell spenning / nominell effekt, se *10 Tekniske Data, side 236*
- Ⓠ Produktnavn

ⓘ Identifikasjonsmerket befinner seg på baksiden av rygglenet.

### Andre merker på produktet



Merke (hvitt symbol på blå bakgrunn) viser hvilken stilling rygglenet må skyves ned til for å felle det opp, se *4 Montering, side 221*

## 3 Produktoversikt

### 3.1 Tiltenkt bruk

Aquatec ORCA, ORCA F og ORCA XL er batteridrevne badekarheiser og brukes som hjelpemiddel til å gå inn i eller ut av et badekar.

Den består av en seteplate (med integrerte sideklaffer) med sklisikker overflate, og en fjernkontroll som brukes til å styre setet opp eller ned. ORCA og ORCA XL har et stivt rygglene som kan senkes. ORCA F har et fast rygglene. Flere deler som sete- og ryggtrekk er tilgjengelig som ekstrautstyr.

#### Tiltenkte brukere

Brukere er personer med liten eller begrenset bevegelsesevne. Hvis den brukes uten en assistent, må brukeren være i stand til å holde balansen selv.

#### Indikasjoner

- begrenset bevegelsesevne (f.eks. ben og/eller hofter)
- balanseproblemer på grunn av midlertidig eller permanent funksjonsnedsettelse, slik at det vanskelig å reise seg opp eller gå

Det er ingen kontraindikasjoner når produktet brukes som tiltenkt. Maksimal brukervekt er angitt under *10 Tekniske Data, side 236*

### 3.2 Produktets hoveddeler

Produktet leveres med følgende komponenter:

#### Håndkontroll og lader

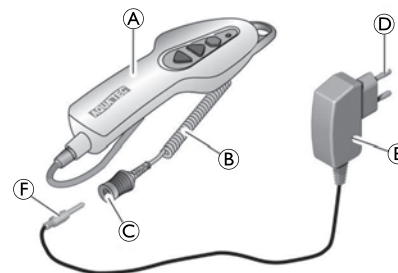


Fig. 3-1

Ⓐ	Håndkontroll med batteri	Ⓓ	Strømplugg
Ⓑ	Spiralkabel	Ⓔ	Lader
Ⓒ	Kontakt	Ⓕ	Plugg

## Sete

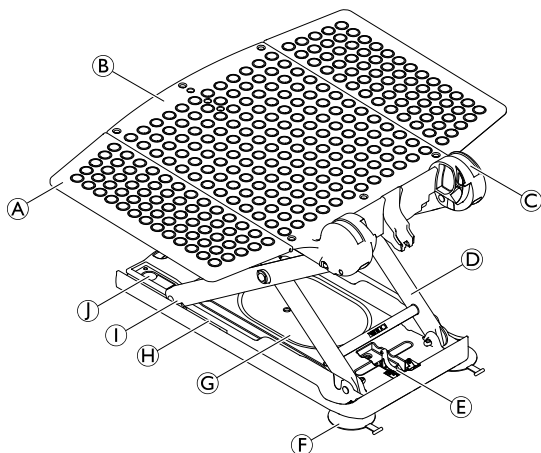


Fig. 3-2

(A)	Sideklaff	(F)	Bakre sugekopper (med gjenger)
(B)	Seteplate	(G)	Bunnplate
(C)	Hengsel for ryggene	(H)	Glideskinne for glideflaten
(D)	Løftearm	(I)	Glideflate
(E)	Spindelfotholder	(J)	Fremre sugekopper (én klaff med hode)

## Ryggene

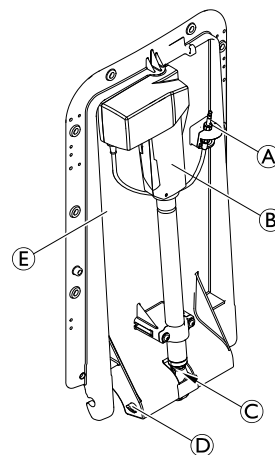


Fig. 3-3

(A)	Plugg	(D)	Låsepinne
(B)	Motor	(E)	Plate, ryggene
(C)	Spindelfot		

## 4 Montering

### 4.1 Sikkerhetsinformasjon



#### Fare for skade

- Kontroller at ingen av delene har blitt skadet under transport, og at de er i god stand før bruk. Kontakt om nødvendig leverandøren.
- Under montering må du sørge for at delene settes sammen riktig i forhold til hverandre.
- Vi anbefaler at trekk vaskes før de tas i bruk første gang, se 7.2 Rengjøring og desinfisering, side 231

### 4.2 Montere badekarheisen



#### ADVARSEL!

#### Sklifare

- Badekarheisen kan skli dersom sugekoppene ikke har godt nok grep.
- Rengjør badekaret og sugekoppene med en fuktig klut før du monterer badekarheisen.
  - Flytt ikke på badekarheisen når den er montert i badekaret.



#### ADVARSEL!

#### Risiko for personskade og skade på materiell

- Badekarheisen må bare monteres i badekar som samsvarer med spesifikasjonene i tabellen nedenfor.
- Hvis badekaret er utstyrt med en overløpsventil på siden, kan du bruke de valgfrie spesialsideklaffene.

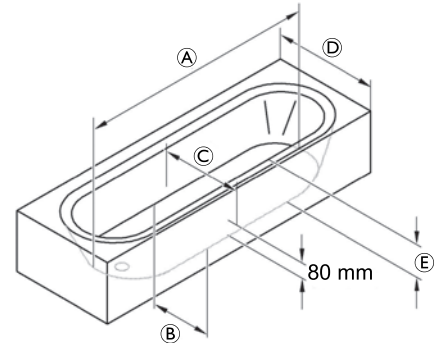


Fig. 4-1

Ⓐ	Badekarlengde, bunn	≥ 800 mm
Ⓑ	Badekarbredde, (innvendig)	≥ 280 mm
Ⓒ	Badekarbredde, ved 80 mm høyde (innvendig)	≥ 430 mm
Ⓓ	Badekarbredde, (utvendig)	700–740 mm <sup>1)</sup>
Ⓔ	Badekarhøyde, (innvendig)	≤ 420 mm <sup>2)</sup>

- 1) 580–690 mm eller 750–1000 mm med spesialsideklaffene (ekstrautstyr)
- 2) (med høydeadapter maks + 60 mm)

**!** **Fare for skade**

- Sørg for at sugekoppene monteres riktig.
- Sørg for at batteriet i håndkontrollen er ladet.
- Når badekarheisens komponenter løftes, må du huske å vurdere vekten på riktig måte. Se 10.1 *Dimensjoner og vekt, side 236*
- Hvis det er montert en håndtak på innsiden av badekaret, kan du bruke de valgfrie sideklaffavlederne.

1.

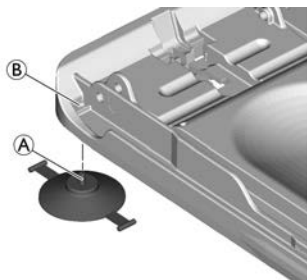


Fig. 4-2

Sett den bakre sugekoppen med gjenget bolt **A** på hylsemutteren **B** og skru den inn. Skru sugekoppen så langt inn som mulig uten å avvike fra retningen som vist på illustrasjonen.

2.

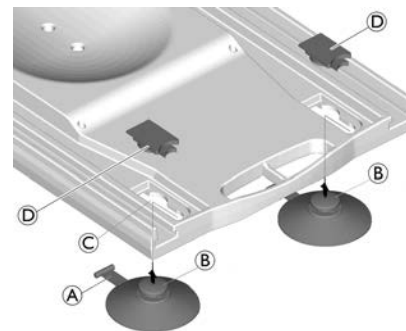


Fig. 4-3

Før klaff **A** gjennom åpning **C** og plasser den i den tilhørende fordypningen. Før hodet på sugekopp **B** gjennom åpning **C** og trekk koppen fremover. Fest sugekopp med rødt lokk **D**.

3.

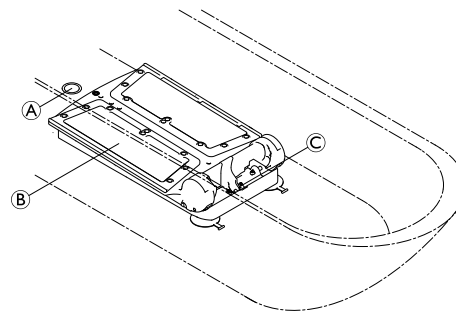


Fig. 4-4

Plasser setet **B** på bunnen av det tomme badekaret. Kontroller at spindelfotholderen **C** peker mot den enden av badekaret som vender bort fra utløpet **A**.

4.

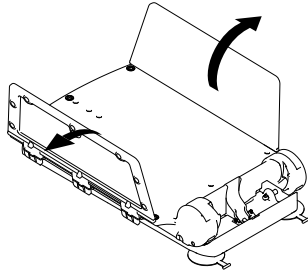


Fig. 4-5

Brett sideklaffene på setet utover.

5.

**LES DETTE!**

- Kontroller at sideklaffene er brettet utover før du plasserer rygglenet på setet.

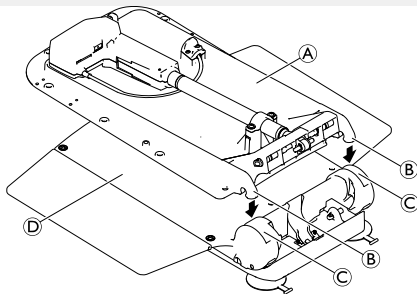


Fig. 4-6

Plasser rygglenet **A** (uten håndkontrollen) på setet slik at krokene **B** på rygglenet passer inn i hengslene **C** på seteplaten **D**.

6.

**Fare for skade**

Dersom spindelfoten glir ut, kan det oppstå skade på produktet.

- Sørg for at spindelen er fullstendig trukket tilbake og at spindelfoten er i flukt og ikke vridd, før du folder opp rygglenet.
- Når rygglenet er rettet opp, må du kontrollere at spindelfoten står i spindelfotholderen.

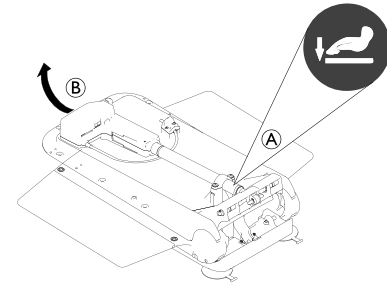


Fig. 4-7

Skyv rygglenet med én hånd ned på seteplaten til det er på linje med etikett **A** for å feste krokene inn i hengslene.

7. Fortsett å skyve rygglenet litt nedover som beskrevet i trinn 6, og hold rygglenet midt på hodeenden ⑥. Fell deretter rygglenet forsiktig sammen til endestillingen.

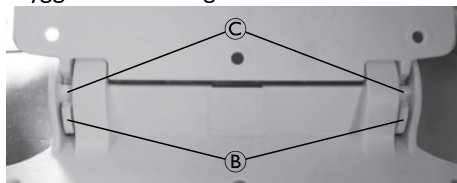


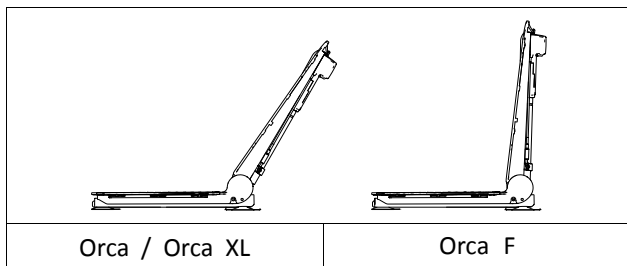
Fig. 4-8



#### Fare for skade

Skader på produktet på grunn av feil montering av rygglenet.

- Sørg for at begge krokene ⑥ på rygglenet aktiveres i hengslene ③ på seteplaten.
- Sørg for at rygglenet er rettet opp til endestillingen uten å bruke makt og med betydelig motstand. Endestillingen vises på følgende bilde.



- 8.

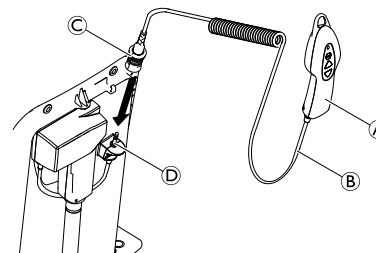


Fig. 4-9

Du kobler håndkontrollen ① til badekarheisen ved å koble kontakten med låsehylsen ③ til pluggen ④ helt til du merker at låsemekanismen aktiveres.



#### Fare for skade

- Sjekk at rygglenet ikke berører kanten på badekaret.
- Plasser om nødvendig badekarheisen lenger fram i badekaret. Hvis du skal plassere badekarheisen lenger fram i badekaret, senker du badekarheisen helt ned, løsner sugekoppene og flytter deretter badekarheisen.

## 4.3 Lade batteriet

Badekarheisen kan ikke brukes mens batteriet lades opp.



#### ADVARSEL!

#### Fare for elektrisk støt.

- Batteriet skal kun lades i tørre omgivelser ved romtemperatur (15 °C til 25 °C) og aldri på badet.





### Fare for skade

- Bruk bare den medfølgende laderen til å lade batteriet i håndkontrollen.
- Laderen skal bare kobles til strømforsyningen når håndkontrollen er koblet til laderen.
- Kontroller at spenningsspesifikasjonene angitt på laderen samsvarer med nettspenningen.

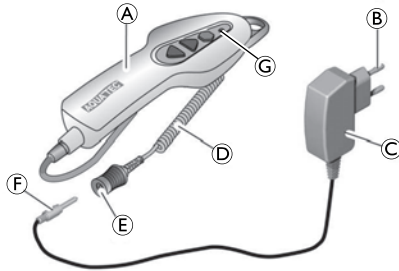



Fig. 4-10

1. Sett pluggen ⑥ til laderen ③ inn i kontakten ⑤ på spiralkabelen ④ for håndkontrollen ① til den aktiveres på plass.
2. Sett laderens støpsel ② inn i en stikkontakt.
 

 Den røde indikatorlampen ③ på håndkontrollen slokkes når batteriet er tilstrekkelig ladet for neste gangs bruk. Pass på at batteriet ikke blir overladet.
3. Koble laderen fra stikkontakten.
4. Trekk pluggen til laderen ut av kontakten på håndkontrollen.

## 5 Bruk

### 5.1 Sikkerhetsinformasjon



#### FORSIKTIG!

##### Risiko for personskade eller skade på utstyr

Fukt kan trenge inn i en skadet håndkontroll, noe som kan føre til kortslutning og brann.

- Før du bruker dusj- og toalettstolen, må du alltid sjekke at den ikke har skader.
- Hvis huset til håndkontrollen er skadet eller har sprekker, må du ikke bruke håndkontrollen.



#### FORSIKTIG!

##### Klemfare

- Stikk ikke fingrene inn i føringen mellom seteplaten og ryggstøtten.
- Ikke stikk hendene inn under seteplaten eller inn i løftmekanismen.



##### Fare for skade

Overlading av badekarløfteren kan føre til skade på utstyret eller kan hindre løftefunksjonen.

- Pass på så badekarheisen ikke blir overbelastet. Overhold spesifikasjonene på identifikasjonsmerket. Maksimal belastning står oppgitt i *10 Tekniske Data, side 236*



Lad opp batteriet regelmessig batteri, se *4.3 Lade batteriet i 4 Montering, side 221*



Se *10.4 Miljøparametere, side 237* for mer informasjon om bruksbetingelser.

### 5.2 Styre badekarheisen

Badekarheisen kan beveges i følgende retninger:



Fig. 5-1

Badekarheisen styres via håndkontrollen, enten av brukeren eller av en assistent.



Med et fulladet batteri kan ORCA og ORCA F utføre 5 badeoperasjoner med en belastning på 140 kg. ORCA XL kan utføre 4 badeoperasjoner med en belastning på 170 kg.

- Ⓐ Nødstopppknapp
- Ⓑ Opp-knapp
- Ⓒ Håndkontroll
- Ⓓ Nedoverknapp
- Ⓔ Indikatorlampe

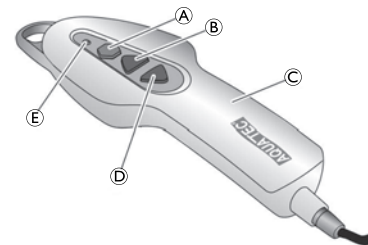


Fig. 5-2

**Fare for skade**

– Håndkontrollen må kun brukes når rygglenet er korrekt montert og i opprett stilling.



Hvis batteriet i håndkontrollen © ikke er tilstrekkelig oppladet, lyser indikatorlampen ⑤ rødt når du trykker på Ned-knappen ⑩. I et slikt tilfelle vil badekarheisens senkestilling være deaktivert. Du kan imidlertid fremdeles heve heisen.

1. Lad opp batteriet umiddelbart etter at du har hevet badekarheisen.

**Heve badekarheisen**

Dersom rygglenet senkes, vil det først bevege seg til opprett stilling (ikke på modellen ORCA F)

1. Trykk på Opp-knappen ⑧ på håndkontrollen og hold den trykket inn.  
Rygglenet beveger seg til opprett stilling, eller setet beveger seg oppover.
2. Slipp opp Opp-knappen på håndkontrollen.  
Badekarheisen stopper i den stillingen den er kommet i.

**Senke badekarheisen**

Hvis setet allerede er senket, senkes rygglenet bakover (ikke på modell ORCA F).

1. Trykk inn Ned-knappen ⑩ på håndkontrollen og hold den inne.  
Setet beveger seg nedover, eller rygglenet vippes bakover.
2. Slipp opp Ned-knappen på håndkontrollen.  
Badekarheisen stopper i den stillingen den er kommet i.

**Nødstoppknapp****Fare for skade**

Du skal bare trykke inn nødstoppknappen ① hvis enheten ikke stopper umiddelbart når du slipper Opp- eller Ned-knappen (f.eks. hvis en knapp henger seg opp). Badekarheisen slutter øyeblikkelig å bevege seg, og indikatorlampen på håndkontrollen begynner å lyse.

Hvis seteløfteren ikke reagerer når du trykker på Opp- eller Ned-knappen etter å ha løsnet nødstoppknappen, har feilen ikke blitt utbedret. Utstyret er ikke klart til bruk, men må repareres, for eksempel ved skade på elektronikk.



Kontakt om nødvendig leverandøren.

## 5.3 Bading



### ADVARSEL! Sklifare

Badekarheisen kan skli dersom sugekoppene ikke har godt nok grep.

- Kontroller at badekarheisen står trygt og ikke kan velte, før du bruker den.
- Påse at badekaret som badekarheisen settes opp i, har riktige mål. Se 4.2 *Montere badekarheisen, side 221*



### ADVARSEL! Skaderisiko

- Dersom tilstanden din er slik at du ikke kan bade på egen hånd, må du kun bruke heisen under tilsyn.
- Hvis du bruker enheten uten tilsyn, må du sørge for å ha et alarmsystem eller en telefon innen rekkevidde i tilfelle noe uforutsett skulle skje (f.eks. at utstyret svikter).



### Fare for skade

Badeoljer eller -salter kan påvirke glidefunksjonen til løftearmene.

- Dersom du bruker slik badeprodukter, må du ikke overstige den anbefalte dosen.



Kjør heisen én gang helt opp og deretter helt tilbake til bunnen (funksjonstest).

1. Trykk på og hold inne Opp-knappen helt til setet er i flukt med kanten på badekaret.
2. Pass på at sideklaffene er i flukt med setet og hviler mot kanten av badekaret (utgangsstilling).
3. Fyll badekaret med vann.
4. Sitt på sideklaffen nærmest deg som du hadde sittet på en stol.
5. Skyv deg bakover til du sitter midt på setet.
6. Snu deg i badestilling ved å løfte først den ene foten og deretter den andre foten over kanten på badekaret.
7. Når du sitter slik du skal, trykker du på og holder inne Ned-knappen for å senke setet ned i badekaret.



Når setet har nådd nederste stilling, kan du legge rygglenet bakover ved å fortsette å holde inne Ned-knappen. Dette gir en mer komfortabel badestilling og gjør at du kan senke deg dypere i badevannet (ikke på modellen ORCA F).

8. Hold Ned-knappen trykket inn frem til rygglenet har nådd ønsket stilling.



Når du skal ut av badekaret, utfører du disse trinnene i omvendt rekkefølge.

9. Hvis du vil heve rygglenet eller badekarheisen, trykker du på og holder nede Opp-knappen helt til setet er på samme nivå som kanten på badekaret.



### Fare for skade

- Koble håndkontrollen fra enheten når badekarheisen ikke er i bruk, se 6.2 *Ta ut badekarheisen, side 229* trinn 3.

## 6 Transport

### 6.1 Sikkerhetsinformasjon



#### Fare for skade

- Se betingelsene for oppbevaring og transport i kapitlet *10.4 Miljøparametere, side 237*
- Rygglenet er ikke låst til setet når det er felt ned, og kan løsne.
- Fjern ikke sugekjøpene under transport av badekarheisen.



Understell med seteplate og rygglenet kan demonteres for transport.

### 6.2 Ta ut badekarheisen

1. La vannet renne ut av badekaret.
2. Senk badekarheisen med Ned-knappen inntil rygglenet stopper i helt nedsenket stilling, se *5.2 Styre badekarheisen, side 226*
3. Lås opp kontakten på spiralkabelen for håndkontrollen ved å skyve opp låsehylsen og trekke den av pluggen.

4.

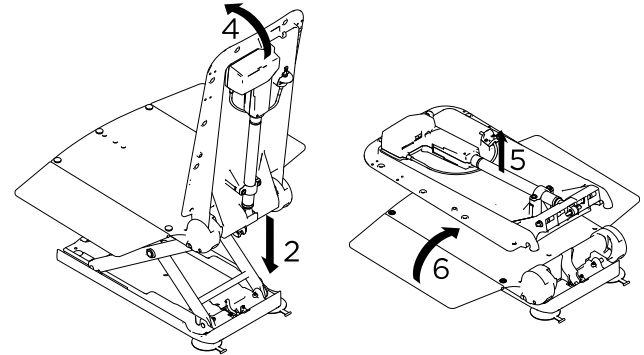


Fig. 6-1

Hold rygglenet i hodeenden og fell det sakte fremover til endestillingen.



#### Fare for skade

- Legg ikke ned rygglenet hvis det er vann i badekaret.
  - Før du feller ned rygglenet, må du sjekke at det er helt nedsenket.
  - Når du legger ned rygglenet, må du kontrollere at spiralkabelen for håndkontrollen ikke kommer i klem.
5. Trekk rygglenet opp fra setet og ut av badekaret.
  6. Brett sideklaffene på setet innover.

7.

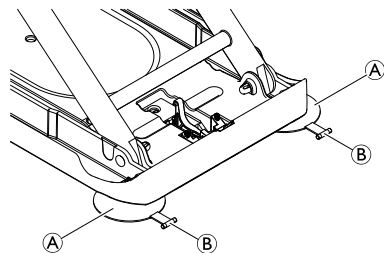



Fig. 6-2

Løsne de bakre sugekoppene ① samtidig ved å trekke opp de fremstikkende klaffene ②.

8. Løft bakenden på setet lite grann. Dette frigjør de fremre sugekoppene.

 Dersom det er montert høydeadaptere (ekstraustyr), må du også trekke i klaffene til de fremre sugekoppene for å frigjøre dem.

9. Ta understellet med seteplaten ut av badekaret.

## 7 Vedlikehold

### 7.1 Vedlikehold og kontroll

Hvis man overholder rådene som er gitt for pleie og vedlikehold, er produktet vedlikeholdsfritt.



#### Fare for skade

- Håndkontrollen kan bare åpnes av produsenten av badekarheisen.

1. Kontroller regelmessig at produktet er uten skader, og at alle deler er festet slik de skal.
2. Dersom det oppstår skader eller reparasjonsbehov, må du kontakte leverandøren umiddelbart.
3. Badekarheisen skal kontrolleres av en autorisert leverandør før den går over til en ny bruker. Vi anbefaler at badekarheisen kontrolleres når det har gått senest 24 måneder (i samsvar med DIN EN ISO 10535).
4. Dersom badekarheisen står ubrukt en lengre periode, må batteriet lades helt opp, og badekarheisen må heves og senkes 3 ganger uten last. Gjenta denne prosedyren hver 3. måned. Denne prosedyren bidrar til å opprettholde batteriets levetid.

### 7.2 Rengjøring og desinfisering

#### 7.2.1 Generell sikkerhetsinformasjon



#### FORSIKTIG!

#### Risiko for kontaminering

- Ta dine egne forholdsregler og bruk passende verneutstyr.



#### LES DETTE!

- Feil væsker eller metoder kan skade eller ødelegge produktet.
- Alle rengjørings- og desinfeksjonsmidler må være av god kvalitet og kompatible med hverandre. I tillegg må de beskyttede materialene de skal rengjøre.
  - Bruk aldri etsende væsker (baser, syrer osv.) eller slipende rengjøringsmidler. Vi anbefaler vanlig husholdningsrengjøringsmiddel, som f.eks. oppvaskmiddel.
  - Bruk aldri et løsemiddel (cellulosefjernere, aceton etc.) som forandrer plastens struktur eller får etikettene til å løsne.



For rengjøring og desinfeksjon i kliniske omgivelser eller ved langvarig pleie, gjelder institusjonelle retningslinjer for hygiene.

#### 7.2.2 Rengjøringshyppighet



#### LES DETTE!

- Regelmessig rengjøring og desinfeksjon bidrar til problemfri bruk, lenger levetid og forhindrer kontaminering.
- Rengjør og desinfiser produktet
- regelmessig mens det er i bruk
  - før og etter enhver serviceprosedyre
  - når det har vært i kontakt med enhver type kroppsvæske
  - før det brukes på en ny bruker

### 7.2.3 Rengjøringsanvisninger

#### Rengjøre setet og rygglenet



#### **FORSIKTIG!**

##### **Klemfare**

– Vær særlig forsiktig når du rengjør i området rundt løftearmene, da disse kan bevege seg og forårsake skade.



#### **Fare for skade**

– Bruk aldri en høytrykksvasker til å rengjøre rygglenet.

1. Vask produktet med en klut eller en børste.
2. Skyll produktet med varmt vann.
3. Tørk produktet med en klut.
4. Smør glideskinnen for glideflaten lett (se fig. 3.2, element ⊕ i kapittel 3.2 *Produktets hoveddeler, side 219* med vaselin.

#### Rengjøre trekk (ekstraustyr)



Vi anbefaler at trekk vaskes før de tas i bruk første gang. Av hygieniske grunner anbefaler vi at trekkene rengjøres regelmessig, og at de skiftes ut hvert år.

1. Knapp opp trekket på setet og rygglenet.
2. Vask trekkene i vaskemaskin ved maks. 60 °C med et mildt vaskemiddel.



#### **Fare for skade**

- Vask ved høye temperaturer kan forårsake skade på eller krymping av trekket.
- Tørk ikke trekk i tørketromler.

#### Rengjøre lader og håndkontroll



#### **ADVARSEL!**

##### **Fare for elektrisk støt.**

- Koble alltid laderen fra stikkkontakten før du rengjør den.
- Stikk aldri gjenstander som består av ledende materialer (f.eks. strikkepinner eller metallstifter), inn i kontakten på håndkontrollen.
- Bruk aldri en våt eller fuktig klut til å rengjøre laderen.



#### **FORSIKTIG!**

##### **Fare for elektrisk støt og skade på produktet**

- Slå av enheten og koble den fra nettet om aktuelt.
- Vurder verneklassen angående vanninntrenging når du rengjør elektroniske komponenter.
- Pass på at det ikke sprutes vann på støpselet eller stikkkontakten.
- Ikke ta i stikkkontakten med våte hender.

1. Rengjør laderen med en tørr klut.
2. Rengjør håndkontrollen med en fuktig klut.
3. Tørk av håndkontrollen med en klut.



#### **7.2.4 Instruks for desinfisering**

Metode: Følg bruksmerknadene for det aktuelle desinfeksjonsmiddelet, og desinfiser med klut på alle tilgjengelige overflater.

Desinfiseringsmiddel: Vanlig desinfiseringsmiddel til husholdningsbruk.

Tørking: La produktet lufttørke.

## 8 Etter bruk

### 8.1 Oppbevaring



#### Fare for skade

- Ikke oppbevar produktet i nærheten av varmekilder.
- Ikke oppbevar batteriet nær åpen ild.
- Ikke utsett produktet for direkte sollys.
- Se betingelsene for oppbevaring og transport i avsnittet *10.4 Miljøparametere, side 237*.

### 8.2 Overhaling

Dette produktet er egnet for gjenbruk. Utfør følgende punkter når produktet skal overhales og overføres til en ny bruker:

- Kontroll
- Rengjøring og desinfisering

Detaljert informasjon finner du under *7 Vedlikehold, side 231* og i servicehåndboken for dette produktet.

Ørg for at bruksanvisningen overleveres sammen med produktet.

Hvis det oppdages skade eller feil, må du ikke bruke produktet på nytt.

### 8.3 Avfallshåndtering



#### ADVARSEL!

#### Miljøfare

- Produktet inneholder batterier.  
Produktet kan inneholde stoffer som kan skade miljøet dersom produktet blir kastet på steder (søppelfyllinger) som ikke er i samsvar med lover og forskrifter.
- IKKE kast batterier sammen med vanlig husholdningsavfall.
  - IKKE kast batteriene i åpen ild.
  - Batterier MÅ leveres til et egnet avfallsmottak. Retur av batterier er lovpålagt og gratis.
  - Batteriene må være utladet før de kasseres som avfall.
  - Dekk til litiumbatterienes terminaler før kassering.
  - For informasjon om batteritype, se batterietikett eller kapittel *10 Tekniske Data, side 236*

Vi ber deg vise miljøansvar og levere dette produktet til en lokal gjenvinningsstasjon ved endt brukstid.

Demonter produktet og dets komponenter, slik at de ulike materialene kan sorteres og gjenvinnes hver for seg.

Kassering og gjenvinning av brukte produkter og emballasje må overholde lovene og forskriftene for avfallshåndtering i hvert land. Ytterligere informasjon får du hos det lokale renovasjonsselskapet.

## 9 Feilsøking

### 9.1 Avdekke og reparere feil



Tabellen nedenfor gir opplysninger om feil og mulige årsaker. Hvis du ikke kan rette opp funksjonsfeilen ved hjelp av tipsene som er angitt, må du ta direkte kontakt med en leverandør.

Feil	Mulig årsak	Løsning
Ingen hørbar motorlyd / heisen beveger seg ikke.	Kontakten på håndkontrollen er ikke koblet til riktig.	Koble til kontakten slik at den aktiveres, → 4.2 <i>Montere badekarheisen, side 221</i>
	Batteriet er utladet.	Lad opp batteriet fullstendig, → 4.3 <i>Lade batteriet, side 224</i>
	Kontaktene er skitne.	Rengjør pluggen på rygglenet.
	Kabel er i klem / skadet.	Skifte håndkontroll → kontakt leverandøren.
Heisen kan heves, men ikke senkes.	Lavspenningsbeskyttelsen er aktivert.	Lad opp batteriet fullstendig, → 4.3 <i>Lade batteriet, side 224</i>
Heisen stanser under heving.	For høy belastning.	Overhold maksimumsbelastningen, → 10.1 <i>Dimensjoner og vekt, side 236</i>
Badekarheisen fester seg ikke godt til badekaret.	Sugekoppene er gamle eller skadet.	Skifte sugekopper → kontakt leverandøren.
Batteriet lades ikke, og den røde indikatorlampen blinker under lading	Feil med elektronikken.	Håndkontrollen må kontrolleres av en autorisert leverandør.
	Feil på batteriet.	Skifte håndkontroll → kontakt leverandøren.
	Feil med laderen.	Laderen må kontrolleres av en autorisert leverandør
	Batteriet er for varmt.	Hold håndkontrollen unna varmekilder. Ladingen fortsetter automatisk når temperaturen synker til de tillatte grensene.

## 10 Tekniske Data

### 10.1 Dimensjoner og vekt

Total lengde i laveste stilling	920 mm
Total lengde i høyeste stilling	650 mm
Total høyde i høyeste stilling	1075 mm
Lengde sete	590 mm
Bredde sete ved utslåtte sideklaffer	715 mm
Bredde sete med innslåtte seteklaffer	390 mm
Setehøyde i laveste stilling	60 mm
Setehøyde i høyeste stilling	420 mm
Bredde ryggstøtte	360 mm
Minste vinkel på ryggstøtte	8°
Bredde grunnplate	295 mm
Maks. belastning (ORCA / ORCA F) Maks. belastning (ORCA XL)	140 kg 170 kg
Total vekt uten manuell betjeningsenhet (ORCA) (ORCA F) (ORCA XL)	10,8 kg 11,4 kg 11,6 kg
Vekt sete (ORCA) (ORCA F) (ORCA XL)	6,6 kg 7,2 kg 7,4 kg

Vekt ryggstøtte (ORCA / ORCA F / ORCA XL)	4,2 kg
Vekt manuell betjeningsenhet	0,4 kg
Vekt lader	0,1 kg

### 10.2 Elektroniske data

Aktiveringskraft for knappene på håndkontrollen	< 5 N
Driftsspenning for håndkontrollen <sup>1)</sup>	11,1 VDC / 10,95 VDC / 10,8 VDC
Nominell inngangseffekt <sup>1)</sup>	44 VA / 43 VA
Merkestrøm	4 A
Batteritype	Litiumion
Inngangsstrøm, lader	100–240 V AC, 50–60 Hz
Utgangsstrøm, lader	24 V DC, 135 mA, 3 VA
Ladetid fra varsel om lav spenning	ca. 4,5 t
Type beskyttelse, motor	IP X6 W <sup>2)</sup>
Type beskyttelse, håndkontroll	IP 67 <sup>3)</sup>
Type beskyttelse, hele enheten	IP X6 <sup>4)</sup>
Lydnivå	52 dB (A)

Løftmotoren slås ikke av når produktet er overbelastet. Ikke overbelast badekarheisen, for å unngå skader.

1) 11,1 VDC / 44 VA gjelder ved bruk av håndkontroller med spenning på 11,1 V, angitt på baksiden av håndkontrollen.  
10,95 VDC / 44 VA gjelder ved bruk av håndkontroller med spenning på 10,95 V, angitt på baksiden av håndkontrollen.  
10,8 VDC / 43 VA gjelder ved bruk av håndkontroller med spenning på 10,8 V, angitt på baksiden av håndkontrollen.

2) Beskyttet mot vanninntrengning ved sterke vannstråler, testet under fastsatte værforhold.

3) Støvtett og beskyttet mot inntrenging av vann under midlertidig nedsenking.

4) Beskyttet mot vanninntrengning ved kraftige vannstråler.

### 10.3 Materialer

Ryggene/seteplate	Glassfiberarmert polypropylen
Trekk	PVC



Alle materialer som benyttes, er korrosjonsbestandige og lateksfrie.

### 10.4 Miljøparametere

<b>Driftsforhold</b>	
Omgivelsestemperatur	10–40 °C
Relativ luftfuktighet	15–93 %, ikke-kondenserende

Atmosfærisk trykk	795–1060 hPa
<b>Forhold under oppbevaring og transport</b>	
Omgivelsestemperatur	0–40 °C
Relativ luftfuktighet	30–75 %, ikke-kondenserende
Atmosfærisk trykk	795–1060 hPa



**Belgium & Luxembourg:**

Invacare nv  
Autobaan 22  
B-8210 Loppem  
Tel: (32) (0)50 83 10 10  
Fax: (32) (0)50 83 10 11  
marketingbelgium@invacare.com  
www.invacare.be

**Italia:**

Invacare Mecc San s.r.l.,  
Via dei Pini 62,  
I-36016 Thiene (VI)  
Tel: (39) 0445 38 00 59  
servizioclienti@invacare.com  
www.invacare.it

**Österreich:**

Invacare Austria GmbH  
Herzog-Odilo-Straße 101  
A-5310 Mondsee  
Tel: (43) 6232 5535 0  
Fax: (43) 6232 5535 4  
info-austria@invacare.com  
www.invacare.at

**Deutschland:**

Invacare GmbH  
Am Achener Hof 8  
D-88316 Isny  
Tel: (49) (0)7562 700 0  
kontakt@invacare.com  
www.invacare.de

**Nederland:**

Invacare BV  
Galvanistraat 14-3  
NL-6716 AE Ede  
Tel: (31) (0)318 695 757  
nederland@invacare.com  
www.invacare.nl

**Portugal:**

Invacare Lda  
Rua Estrada Velha, 949  
P-4465-784 Leça do Balio  
Tel: (+351) 225 193 360  
portugal@invacare.com  
www.invacare.pt

**España:**

Invacare S.A.  
Avenida del Oeste, 50 – 1<sup>a</sup>-1<sup>a</sup>  
Valencia-46001  
Tel: (34) 972 493 214  
contactsp@invacare.com  
www.invacare.es

**Norge:**

Besøksadresse:  
(Office addresses)  
Invacare AS  
Brynsveien 16  
0667 Oslo  
Tel: (47) 22 57 95 00  
norway@invacare.com  
www.invacare.no

**Schweiz / Suisse / Svizzera:**

Invacare AG  
Neuhofweg 51  
CH-4147 Aesch BL  
Tel: (41) (0)61 487 70 80  
Fax: (41) (0)61 488 19 10  
switzerland@invacare.com  
www.invacare.ch

**France:**

Invacare Poirier SAS  
Route de St Roch  
F-37230 Fondettes  
Tel: (33) (0)2 47 62 64 66  
contactfr@invacare.com  
www.invacare.fr

**Norge:**

Vareleveringsadresse:  
(Storage / Technical dep)  
Invacare AS  
Østensjøveien 19  
0661 Oslo  
teknisk@invacare.com  
www.invacare.no

**United Kingdom & Ireland:**

Invacare Limited  
Pencoed Technology Park, Pencoed  
Bridgend CF35 5AQ  
Tel: (44) (0) 1656 776 200  
uk@invacare.com  
www.invacare.co.uk

1574469-F 2023-07-04



**Making Life's Experiences Possible®**

**AQUATEC®**



**Yes, you can.®**



**Australia:**

Invacare Australia Pty. Ltd.  
Unit 18/12 Stanton Road,  
Seven Hills, NSW 2147,  
Australia  
Phone: 1800 460 460  
Fax: 1800 814 367  
orders@invacare.com.au  
www.invacare.com.au

**New Zealand:**

Invacare New Zealand Ltd  
4 Westfield Place, Mt Wellington 1060  
New Zealand  
Phone: 0800 468 222  
Fax: 0800 807 788  
sales@invacare.co.nz  
www.invacare.co.nz



Points de collecte sur [www.quefairedemesdechets.fr](http://www.quefairedemesdechets.fr)  
Privilégiez la réparation ou le don de votre appareil !



Invacare GmbH  
Am Achener Hof 8  
D-88316 Isny  
Germany



Invacare UK Operations Limited  
Unit 4, Pencoed Technology Park,  
Pencoed  
Bridgend CF35 5AQ  
UK

1574469-F 2023-07-04



**Making Life's Experiences Possible®**

**AQUATEC®**



**Yes, you can.®**